



YONGAN VEHICLE WINDOW

2022/2023

LONGKOU YONGAN VEHICLE WINDOW CO.,LTD
CHINA·SHANDONG



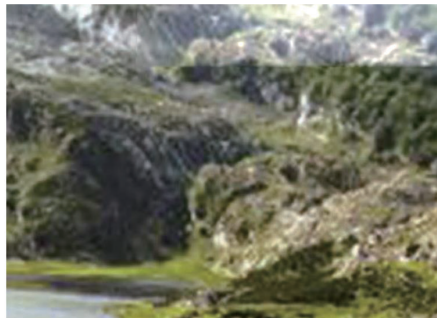
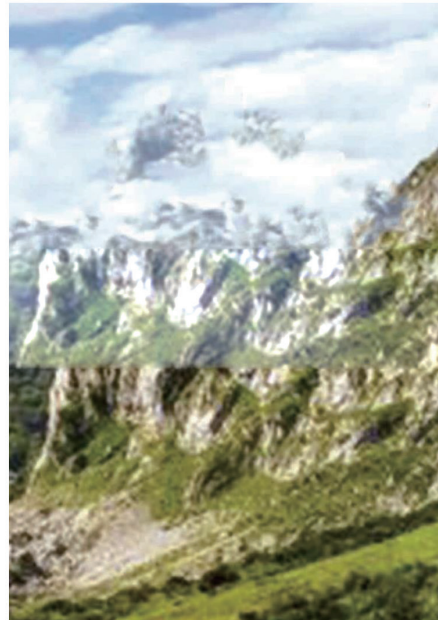
YONGAN VEHICLE WINDOW
ONE WINDOW ONE WORLD



DIRECTORY

05	YA-MD-01 Enter Door
07	YA-MD-03 Enter Door
09	YA-MD-05 Enter Door
11	YA-SM-01 Screen door
13	YA-SDM-02 Teardrop Door
15	YA-CM-01 Hatch Door
17	YA-CM-03 Hatch Door
19	YA-WT-01 Top-Hung Hinged Window
21	YA-WT-02 Top-Hung Hinged Window
23	YA-WT-04 Curved Top-Hung Hinged Window
25	YA-WT-05 Frameless Curved Top-Hung Hinged Window
27	YA-WT-07 Tempered Glass Top-Hung Hinged Window
29	YA-WT-09 Top-Hung Hinged Window (Narrow Frame)
31	YA-WT-10 Top-Hung Hinged Window
33	YA-WT-11 Curved Top-Hung Hinged Window
35	YA-D Tempered Glass Sliding Window
37	YA-WT-12 Acrylic Glass Sliding Window
39	YA-WT-13 Acrylic Glass Sliding Window
41	YA-WT-14 Porthole Window
42	YA-L Skylight
43	YA-S Roof Vent
44	YA-SC-01 Pleated Blind with rectangular PVC Frame
44	YA-SC-02 Pleated Blind with rounded PVC Frame
44	YA-SC-06 Roller Blind with PVC frame
44	YA-SC-07 Roller Blind with Aluminum frame
45	YA-SC-03 Pleated Blind with Aluminum Frame
46	YA-CK-01 Picnic Table
47	YA-CZ-02 Picnic Table
48	YA-CZ-03 Picnic Table
49	YA-V-01 Lifting Table Leg
51	YA-DTB-01 Manual Single Step
52	YA-STB-01 Manual Double Step
53	YA-DTB-02 Electric Single Step
55	YA-STB-02 Electric Double Step





YONGAN VEHICLE WINDOW

COMPANY PROFILE

Longkou Yongan Vehicle Window CO., Ltd. is a professional manufacturer of motorhome and caravan accessories. In China, we're one of the prime accessories' suppliers for many large manufacturers. At the same time, we maintain good cooperation relationships with different caravan's manufacturers and accessory suppliers from Australia, Germany, Japan, South Korea, Great Britain, the USA, etc.

To better meet the growing market requirements of the caravan industry in China, in recent years we have independently developed top-hung hinged window, which is made of heat insulation broken bridge aluminum alloy and has better heat preservation and thermal insulation performance. Our windows are equipped with self-developed stepless stainless steel window stays, which enables the opening and closing of windows more varied and flexible. Until now we have owned more than 30 national patents. In 2017, our hinged windows successfully passed the german laboratory inspection and obtained the European E-Mark certificate. In 2018, our company fully passed the national high-tech enterprise certification of China.

We adhere to the corporate philosophy of "Expand Market by Quality, Keep Market by Credit". Implementing the wishes and ideas of our customers is always our goal. With conscientious and innovative attitude, we strive to provide more high-quality products for the worldwide market.



YA-MD-01 Enter Door



Frame & Panel: Frame and panel are made of high-quality aluminum alloy

Color: Black, white, gray, can also be customized

Glass: Single glazing tempered glass with E-Mark or DOT certificate

Screen door: Security mesh is made of high-quality aluminum alloy mesh and insect screen is made of high strength fiberglass mesh

Lock options: Single point lock, double safety lock, electronic card lock

Optional accessories: Decorative rubber strips and blackout blind (order separately)

Structure: Outer door and security door can be separated, good ventilation, light transmission, and insect protection performance

Wall thickness: 25-50mm

SPECIFICATIONS

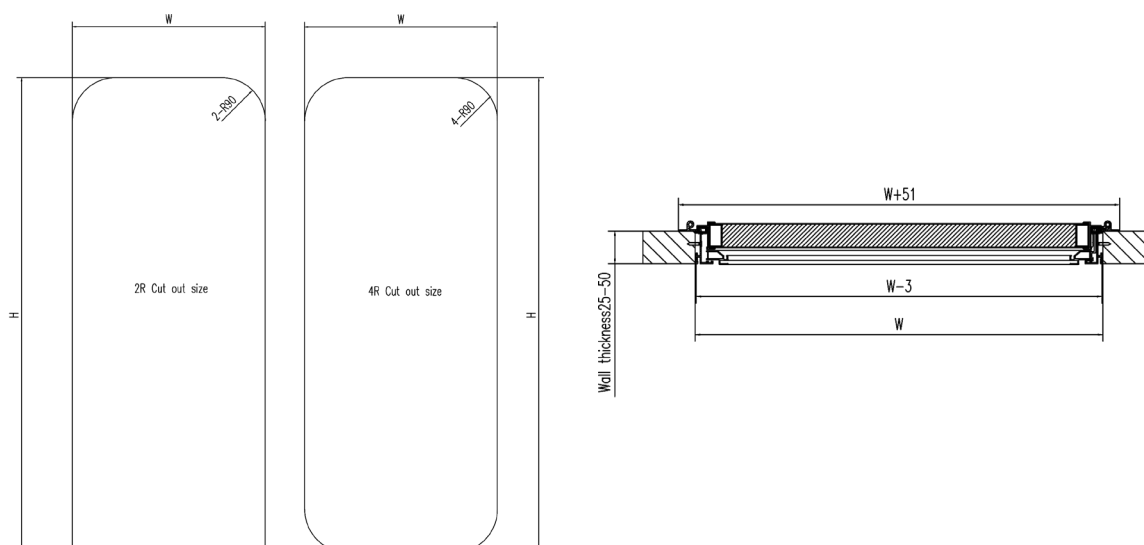
2R Enter Door: R90mm

Cut out size (mm) W x H	Overall size (mm) (W+51) x (H+39)	Pass size (mm) (W-55) x (H-45)	Weight (kg)
550 x 1750	601 x 1789	495 x 1705	17.70
620 x 1620	671 x 1659	565 x 1575	18.60
622 x 1115	673 x 1154	567 x 1070	12.80
625 x 1825	676 x 1864	570 x 1780	21.10
700 x 1825	751 x 1864	645 x 1780	23.60
700 x 2000	751 x 2039	645 x 1955	25.70
900 x 1600	951 x 1639	845 x 1555	26.50

4R Enter Door: R90mm

Cut out size (mm) W x H	Overall size (mm) (W+51) x (H+51)	Pass size (mm) (W-55) x (H-55)	Weight (kg)
570 x 1750	621 x 1801	515 x 1695	18.50
580 x 1755	631 x 1806	525 x 1700	18.70
600 x 1300	651 x 1351	545 x 1245	14.50
603 x 1753	654 x 1804	548 x 1698	19.50
620 x 1750	671 x 1801	565 x 1695	20.00
620 x 1820	671 x 1871	565 x 1765	20.80
711 x 1981	762 x 2032	656 x 1926	25.90

INSTALLATION DIAGRAM



YA-MD-03 Enter Door

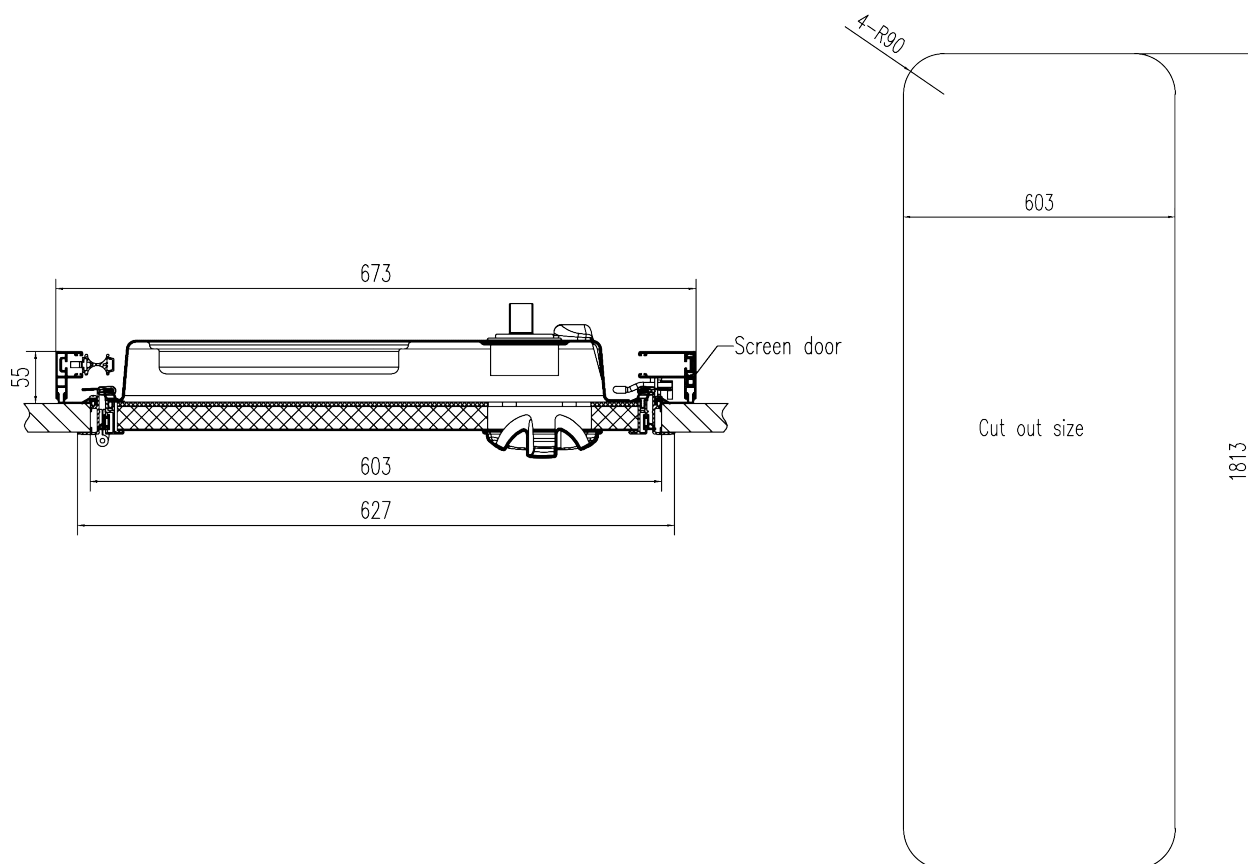


Frame: High-quality aluminum alloy
Panel: Aluminum alloy and composite thermal insulation material
Color: Black, white, gray, can also be customized
Glass: Double glazing acrylic glass, UV resistant, with E-Mark or DOT certificate, equipped with blackout blind
Screen door: Side pull style screen door, outer door and screen door can be separated
Lock: Two-point lock, safe and reliable, can also be connected to the central control system of the whole vehicle
Wall thickness: 30-45mm

SPECIFICATIONS

Cut out size (mm) W x H	Overall size of door frame (mm) W x H	Overall size of screen door (mm) W x H	Weight (kg)
603 x 1813	673 x 1855	627 x 1837	22.5

INSTALLATION DIAGRAM



YA-MD-05 Enter Door



Frame: High quality aluminum alloy

Panel: High-density PVC board and high-strength aluminum composite material

Color: Black, white, gray, can also be customized

Glass: Single glazing acrylic glass, UV resistant

Lock options: Special three-point or four-point lock, with hidden handle, safe and reliable

Optional accessories: Black or white blackout roller blind (order separately), protection of privacy and shading

Screen door: made of stainless-steel mesh, anti-mosquito, safe, strong, and durable

Wall thickness: 24-35mm

SPECIFICATIONS

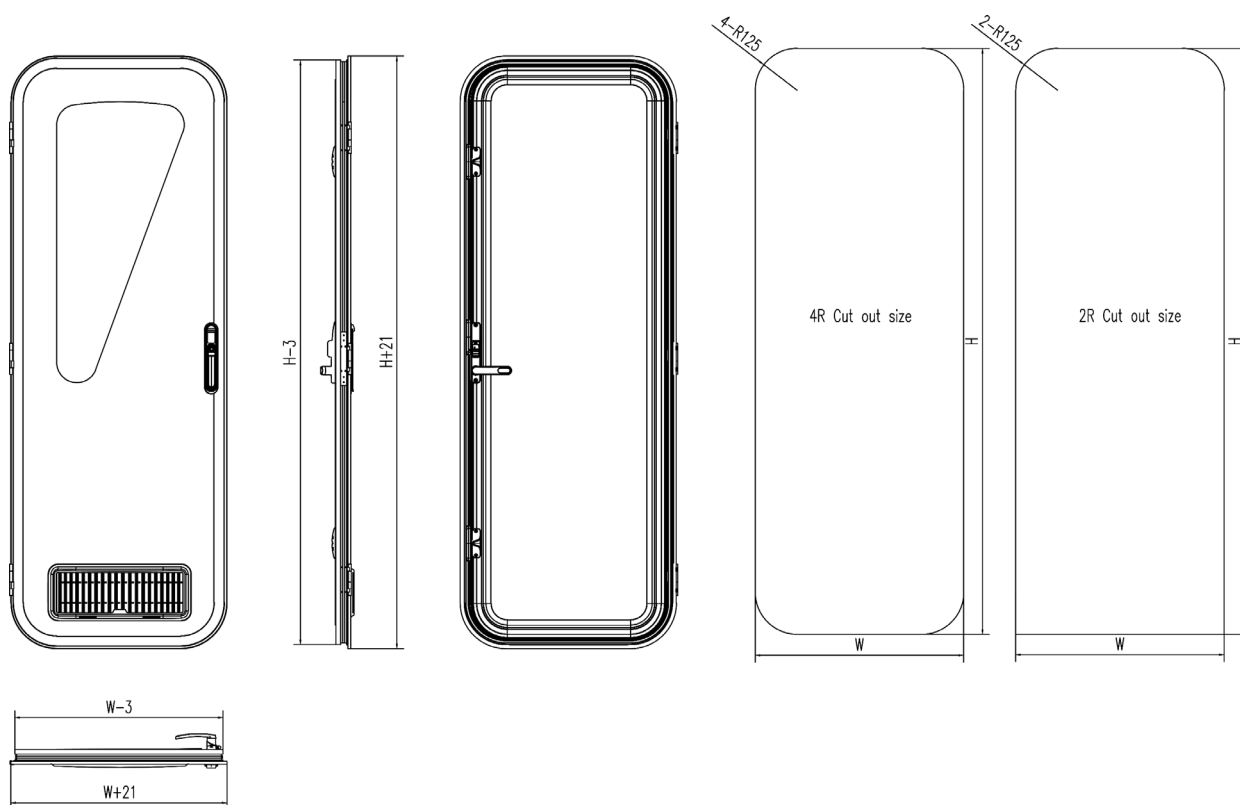
2R Enter door

Cut out size (mm) W x H	Overall size (mm) (W+21) x (H+21)	Weight (kg)
572 x 1623	593 x 1644	15.10
572 x 1723	593 x 1744	16.00
622 x 1750	643 x 1771	17.50

4R Enter door

Cut out size (mm) W x H	Overall size (mm) (W+21) x (H+21)	Weight (kg)
572 x 1623	593 x 1644	15.30
572 x 1723	593 x 1744	16.20
622 x 1750	643 x 1771	17.70

INSTALLATION DIAGRAM



YA-SM-01 Screen door

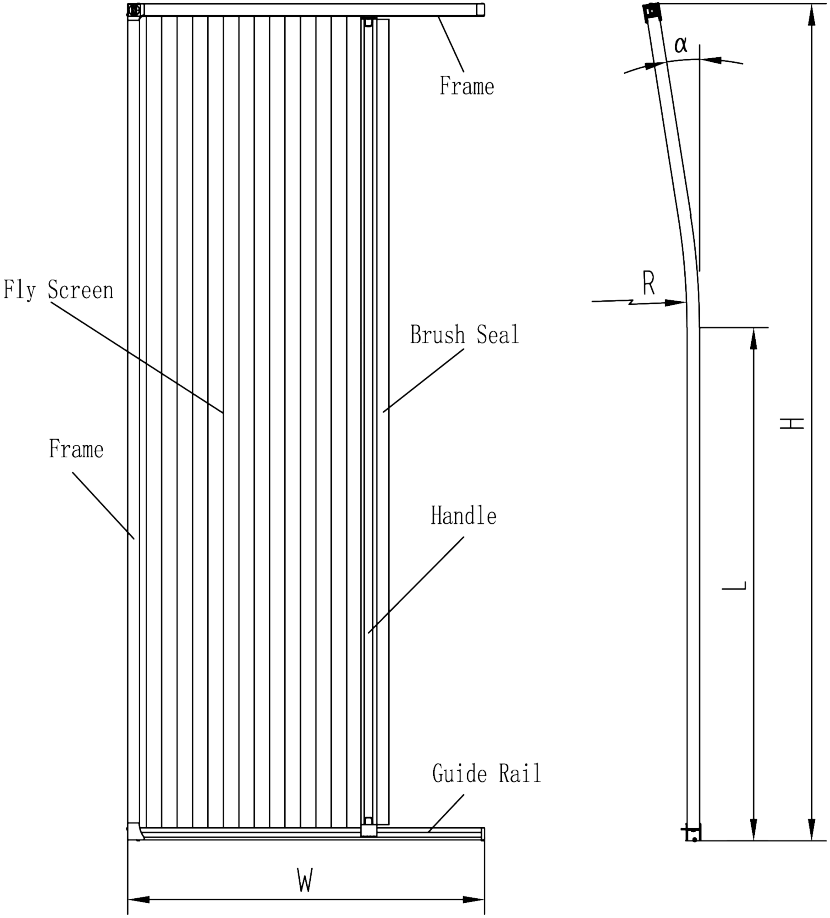
Frame & handle: Lightweight aluminum alloy
Color: Black, white, gray, can also be customized
Guide rail: Aluminum oxide material, prevent trampling and prevent dust
Insect screen: Black pleated mesh with environmental protection certificate
Pull cord: High-strength, wear-resistant pull cord
Bending angle: It can be customized according to the van type
Characters: Stepless open and close, suitable for panel van



SPECIFICATIONS

Overall size (mm) W x H	Bending angle	Weight (kg)
610 x 665	7°	1.26
740 x 1735	9°	2.85
780 x 726	9°	1.51
1270 x 1735	9°	3.35
2000 x 2000	0°	4.21

INSTALLATION DIAGRAM



YA-SDM-02 Teardrop Door

Frame: High-quality aluminum alloy

Color: Black, white, gray, can also be customized

Panel: It is composed of aluminum alloy plate and ABS material interior panel

Window: Equipped with acrylic glass hinged window, UV resistant, with E-Mark or DOT certificate

Blind: With pleated blackout blind and insect screen

Lock: Special lock for RV

Wall thickness: 25-45mm

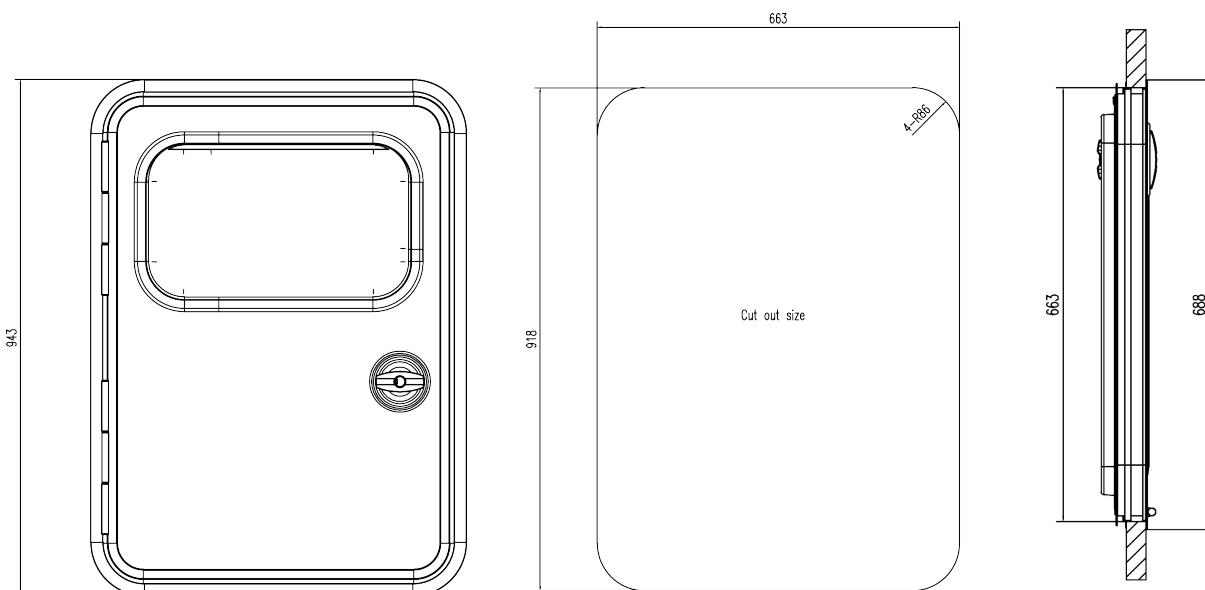


SPECIFICATIONS

Cut out size (mm) W x H	Overall size (mm) W x H	Weight (kg)
663 x 918	688 x 943	14.80



INSTALLATION DIAGRAM



YA-CM-01 Hatch Door



Frame: High quality aluminum alloy

Panel: Aluminum alloy and EPS material

Color: Black, white, gray, can also be customized

Support types: Stainless steel support rod or gas spring

Optional accessoires: Stainless steel support rod or gas spring (order separately)

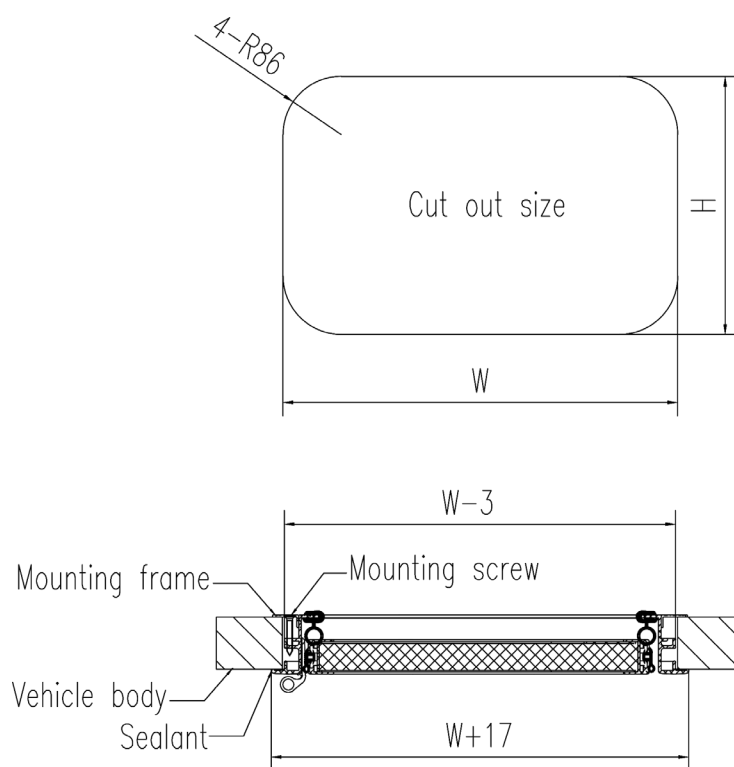
Gas spring: Large size hatch door can be equipped with gas spring to make it easier and faster to open

Wall thickness: 23-41mm

SPECIFICATIONS

Support rod	Cut out size (mm) W x H	Overall size (mm) (W+17) x (H+17)	Opening angle	Weight (kg)
Gas spring	720 x 600	737 x 617	90°-125°	6.10
	760 x 550	777 x 567	90°	5.90
	950 x 750	967 x 767	90°-135°	7.80
	1000 x 600	1017 x 617	90°-135°	8.40
	1000 x 800	1017 x 817	90°-135°	11.20
	1200 x 1750	1217 x 1767	90°-135°	29.40
Stainless steel	400 x 500	417 x 517	90°	3.90
	550 x 500	567 x 517	90°	4.60
	610 x 400	627 x 417	90°	4.20
	620 x 620	637 x 637	90°	5.50

INSTALLATION DIAGRAM



YA-CM-03 Hatch Door



Frame & hinge: High quality aluminum alloy

Panel: High-strength aluminum alloy profile, EPS foam board as interlayer material

Color: Black, white, gray, can also be customized

Lock: Self-tight mechanical lock, can be connected to the central control system of the whole vehicle

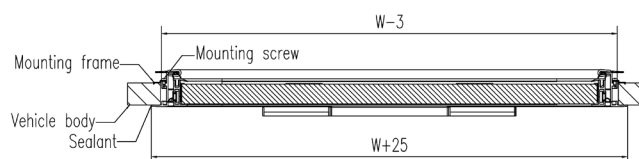
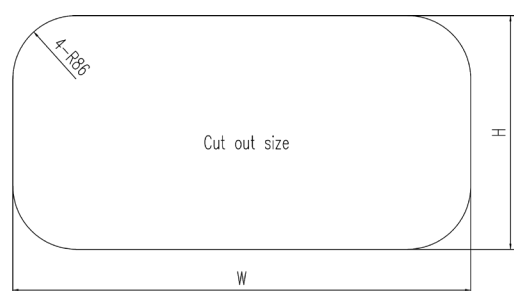
Advantage: The frame can be supplied separately, panels can be made with the section, which is cut from the vehicle body, the suitable panel thickness is 24-30mm

Wall thickness: 30-50mm

SPECIFICATIONS

Cut out size (mm) W x H	Overall size (mm) (W+25) x (H+25)	Weight (kg)
339 x 289	364 x 314	1.90
392 x 342	417 x 367	2.60
571 x 533	596 x 558	6.10
593 x 288	618 x 313	3.40
600 x 660	625 x 685	7.70
621 x 355	646 x 380	4.30
625 x 357	650 x 382	4.40
750 x 1000	775 x 1025	13.80
800 x 500	825 x 525	7.60
890 x 355	915 x 380	6.10
940 x 455	965 x 480	8.10
1162 x 622	1187 x 647	13.70
1162 x 1002	1187 x 1027	21.90
1400 x 1000	1425 x 1025	26.40
1524 x 1277	1549 x 1302	36.50
1700 x 1050	1725 x 1075	33.60

INSTALLATION DIAGRAM



YA-WT-01 Top-Hung Hinged Window



Frame: High quality aluminum alloy

Frame color: Black, white, gray, can also be customized

Glass: Double glazing acrylic, UV resistant, convex outer surface, black or light gray

Window stays: Infinitely adjustable window stays, window stays with click-clack automatic, or window stays in screw fix type

Blind: Pleated blind with PVC frame

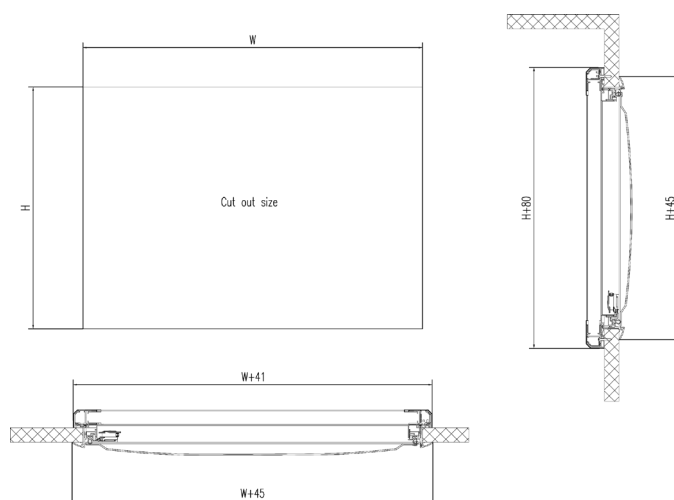
Installation: Through mounting frame

Certificate: E-Mark or DOT

Wall thickness: 22-35mm, 36-46mm, or 46-58mm

SPECIFICATIONS

Window			PVC pleated blind	
Cut out size (mm) W x H	Overall size (mm) (W+45) x (H+45)	Weight (kg)	Overall size (mm) (W+41) x (H+80)	Weight (kg)
350 x 500	395 x 545	3.08	391 x 580	1.13
400 x 220	445 x 265	1.98	441 x 300	1.11
500 x 350	545 x 395	3.08	541 x 430	1.43
500 x 450	545 x 495	3.64	541 x 530	1.48
500 x 500	545 x 545	3.92	541 x 580	1.50
550 x 500	595 x 545	4.20	591 x 580	1.63
600 x 350	645 x 395	3.54	641 x 430	1.68
700 x 300	745 x 345	3.65	741 x 380	1.90
700 x 400	745 x 445	4.35	741 x 480	1.95
700 x 450	745 x 495	4.69	741 x 530	1.98
700 x 600	745 x 645	5.73	741 x 680	2.05
800 x 500	845 x 545	5.60	841 x 580	2.25
900 x 450	945 x 495	5.75	941 x 530	2.48
900 x 500	945 x 545	6.16	941 x 580	2.50
900 x 550	945 x 595	6.57	941 x 630	2.53
900 x 900	945 x 945	9.47	941 x 980	2.70
1000 x 500	1045 x 545	6.72	1041 x 580	2.75
1000 x 800	1045 x 845	9.40	1041 x 880	2.90
1100 x 450	1145 x 495	6.80	1141 x 530	2.98
1100 x 550	1145 x 595	7.76	1141 x 630	3.03
1200 x 350	1245 x 395	6.30	1241 x 430	3.18
1200 x 500	1245 x 545	7.84	1241 x 580	3.25
1200 x 700	1245 x 745	9.90	1241 x 780	3.35
1200 x 800	1245 x 845	10.92	1241 x 880	3.40
1450 x 550	1495 x 595	9.84	1491 x 630	3.90

INSTALLATION DIAGRAM


YA-WT-02 Top-Hung Hinged Window



Frame: Broken bridge aluminum alloy, good thermal insulation

Frame color: Black, white, gray, can also be customized

Glass: Double glazing acrylic, UV resistant, with convex or flat outer surface, black or light gray

Window stays: Infinitely adjustable window stays, window stays with click-clack automatic, or window stays in screw fix type

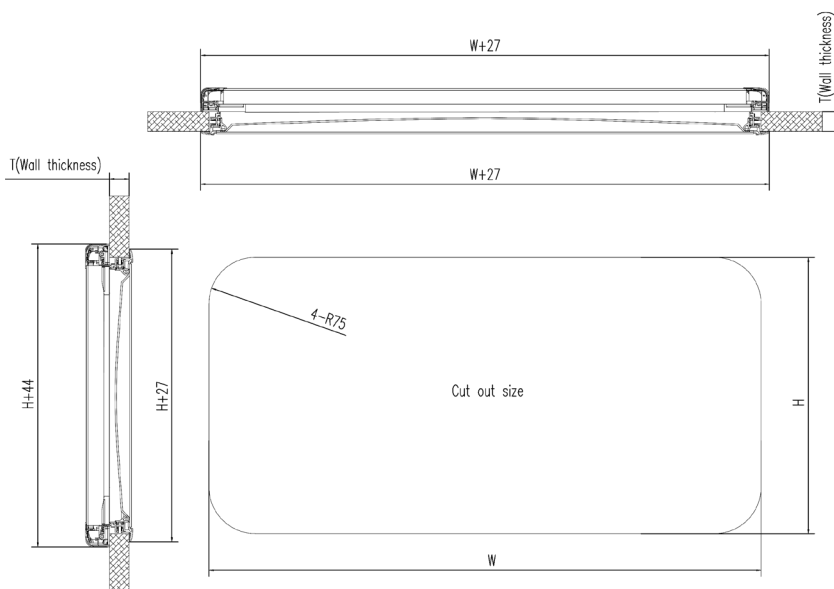
Handle: Two types of handles are available

Blind: Pleated blind or roller blind, with PVC frame or aluminum frame

Certificate: E-Mark or DOT

Wall thickness: 22-55mm

INSTALLATION DIAGRAM



Window			AL pleated blind		PVC-Rollo	
Cut out size (mm) W x H	Overall size (mm) (W+27) x (H+27)	Weight (kg)	Overall size (mm) (W+27) x (H+44)	Weight (kg)	Overall size (mm) (W+51) x (H+75.5)	Weight (kg)
300 x 450	327 x 477	1.95	327 x 494	1.02	351 x 525.5	0.67
350 x 300	377 x 327	1.61	377 x 344	1.08	401 x 375.5	0.67
450 x 300	477 x 327	1.95	477 x 344	1.34	501 x 375.5	0.85
450 x 400	477 x 427	2.38	477 x 444	1.39	501 x 475.5	0.91
450 x 500	477 x 527	2.82	477 x 544	1.44	501 x 575.5	0.97
500 x 250	527 x 277	1.89	527 x 294	1.45	551 x 325.5	0.90
500 x 300	527 x 327	2.12	527 x 344	1.48	551 x 375.5	0.94
500 x 350	527 x 377	2.35	527 x 394	1.50	551 x 425.5	0.97
500 x 400	527 x 427	2.58	527 x 444	1.53	551 x 475.5	1.00
500 x 450	527 x 477	2.82	527 x 494	1.55	551 x 525.5	1.03
500 x 500	527 x 527	3.05	527 x 544	1.58	551 x 575.5	1.07
510 x 510	537 x 537	3.14	537 x 554	1.61	561 x 585.5	1.09
550 x 500	577 x 527	3.28	577 x 544	1.71	601 x 575.5	1.16
600 x 350	627 x 377	2.72	627 x 394	1.77	651 x 425.5	1.15
600 x 400	627 x 427	2.98	627 x 444	1.79	651 x 475.5	1.18
600 x 450	627 x 477	3.25	627 x 494	1.82	651 x 525.5	1.22
600 x 500	627 x 527	3.51	627 x 544	1.84	651 x 575.5	1.25
600 x 600	627 x 627	4.04	627 x 644	1.89	651 x 675.5	1.32
610 x 610	637 x 637	4.15	637 x 654	1.92	661 x 685.5	1.35
650 x 450	677 x 477	3.46	677 x 494	1.95	701 x 525.5	1.31
700 x 300	727 x 327	2.79	727 x 344	2.01	751 x 375.5	1.29
700 x 350	727 x 377	3.09	727 x 394	2.03	751 x 425.5	1.33
700 x 400	727 x 427	3.38	727 x 444	2.06	751 x 475.5	1.37
700 x 500	727 x 527	3.98	727 x 544	2.11	751 x 575.5	1.44
700 x 510	727 x 537	4.04	727 x 554	2.11	751 x 585.5	1.44
700 x 600	727 x 627	4.57	727 x 644	2.16	751 x 675.5	1.51
700 x 800	727 x 827	5.76	727 x 844	2.26	751 x 875.5	1.65
700 x 900	727 x 927	6.35	727 x 944	2.31	751 x 975.5	1.72
800 x 400	827 x 427	3.79	827 x 444	2.32	851 x 475.5	1.55
800 x 450	827 x 477	4.11	827 x 494	2.35	851 x 525.5	1.58
800 x 500	827 x 527	4.44	827 x 544	2.37	851 x 575.5	1.62
800 x 510	827 x 537	4.51	827 x 554	2.38	851 x 585.5	1.63
900 x 350	927 x 377	3.83	927 x 394	2.56	951 x 425.5	1.69
900 x 450	927 x 477	4.55	927 x 494	2.61	951 x 525.5	1.77
900 x 500	927 x 527	4.91	927 x 544	2.64	951 x 575.5	1.81
900 x 550	927 x 577	5.27	927 x 594	2.66	951 x 625.5	1.85
900 x 600	927 x 627	5.63	927 x 644	2.69	951 x 675.5	1.89
900 x 900	927 x 927	7.79	927 x 944	2.84	951 x 975.5	2.12
910 x 610	937 x 637	5.75	937 x 654	2.72	961 x 685.5	1.91
1000 x 250	1027 x 277	3.41	1027 x 294	2.78	1051 x 325.5	1.79
1000 x 500	1027 x 527	5.37	1027 x 544	2.90	1051 x 575.5	1.99
1000 x 510	1027 x 537	5.45	1027 x 554	2.91	1051 x 585.5	2.00
1000 x 800	1027 x 827	7.73	1027 x 844	3.05	1051 x 875.5	2.24
1100 x 450	1127 x 477	5.41	1127 x 494	3.14	1151 x 525.5	2.14
1100 x 550	1127 x 577	6.26	1127 x 594	3.19	1151 x 625.5	2.22
1200 x 300	1227 x 327	4.48	1227 x 344	3.33	1251 x 375.5	2.19
1200 x 350	1227 x 377	4.93	1227 x 394	3.36	1251 x 425.5	2.23
1200 x 500	1227 x 527	6.30	1227 x 544	3.43	1251 x 575.5	2.36
1200 x 600	1227 x 627	7.21	1227 x 644	3.48	1251 x 675.5	2.45
1200 x 700	1227 x 727	8.13	1227 x 744	3.53	1251 x 775.5	2.54
1200 x 800	1227 x 827	9.04	1227 x 844	3.58	1251 x 875.5	2.62
1300 x 510	1327 x 537	6.86	1327 x 554	3.70	1351 x 585.5	2.56
1300 x 600	1327 x 627	7.74	1327 x 644	3.75	1351 x 675.5	2.64
1400 x 575	1427 x 602	8.01	1427 x 619	4.00	1451 x 650.5	2.80
1450 x 550	1477 x 577	8.00	1477 x 594	4.12	1501 x 625.5	2.87

YA-WT-04 Curved Top-Hung Hinged Window

Frame: Broken bridge aluminum alloy, good thermal insulation

Frame color: Black, white, gray, can also be customized

Glass: Double glazing acrylic, UV resistant, with flat outer surface, black or light gray

Window stays: Infinitely adjustable window stays, window stays with click-clack automatic, or window stays in screw fix type

Blind: Pleated blind with aluminum frame

Curved radius: 5000mm, slightly curved exterior fits the panel van better

Certificate: E-Mark or DOT

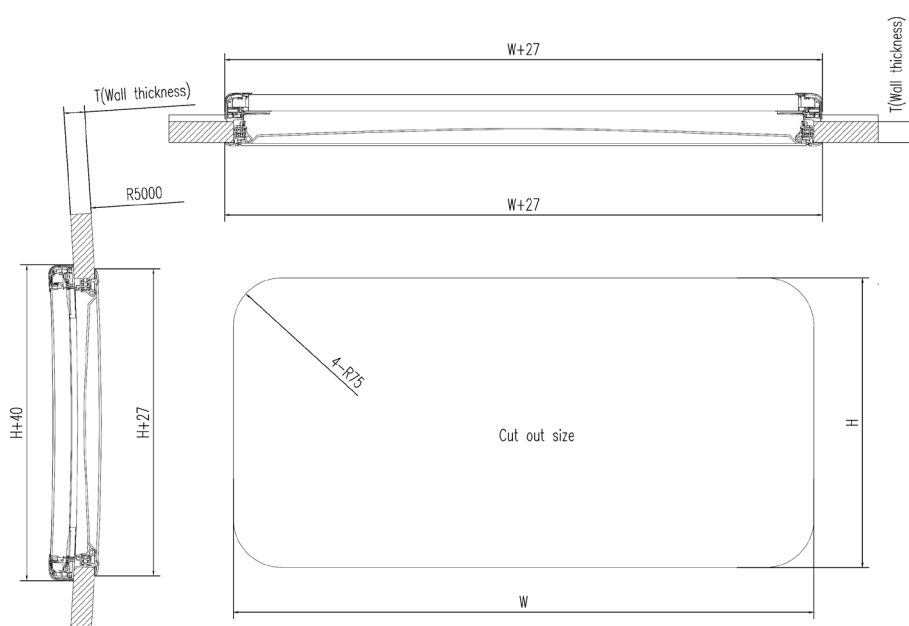
Wall thickness: 26-50mm



SPECIFICATIONS

Window			AL pleated blind	
Cut out size (mm) W x H	Overall size (mm) (W+27) x (H+27)	Weight (kg)	Overall size (mm) (W+27) x (H+40)	Weight (kg)
280 x 380	307 x 407	1.64	307 x 420	0.93
350 x 500	377 x 527	2.35	377 x 540	1.18
490 x 500	517 x 527	3.00	517 x 540	1.55
500 x 300	527 x 327	2.12	527 x 340	1.48
500 x 500	527 x 527	3.05	527 x 540	1.58
600 x 450	627 x 477	3.25	627 x 490	1.82
600 x 600	627 x 627	4.04	627 x 640	1.89
700 x 400	727 x 427	3.38	727 x 440	2.06
750 x 455	777 x 482	3.93	777 x 495	2.22
818 x 315	845 x 342	3.29	845 x 355	2.33
800 x 500	827 x 527	4.44	827 x 540	2.37
900 x 400	927 x 427	4.19	927 x 440	2.59
900 x 450	927 x 477	4.55	927 x 490	2.61
900 x 500	927 x 527	4.91	927 x 540	2.64
960 x 450	987 x 477	4.81	987 x 490	2.77
985 x 465	1012 x 492	5.03	1012 x 505	2.84
1000 x 500	1027 x 527	5.37	1027 x 540	2.90
1100 x 600	1127 x 627	6.69	1127 x 640	3.22

INSTALLATION DIAGRAM



YA-WT-05 Frameless Curved Top-Hung Hinged Window



Frame: The lightweight frameless design

Glass: Double glazing acrylic, UV resistant, black, or light gray

Window stays: Window stays with click-clack automatic

Blind: Pleated blind with PVC frame or aluminum frame

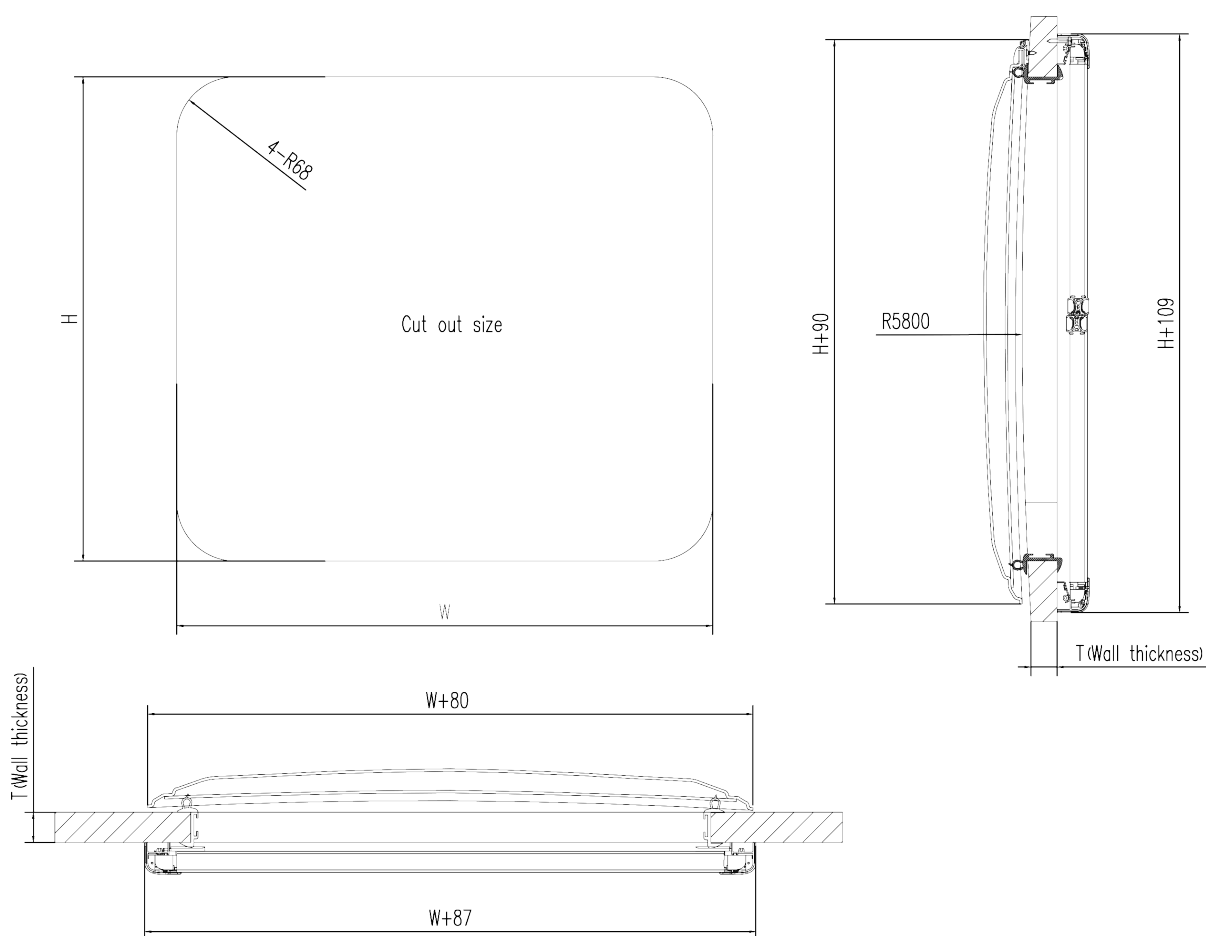
Curved radius: 5800mm, slightly curved exterior fits the panel van better

Certificate: E-Mark or DOT

SPECIFICATIONS

Window		AL pleated blind	Total weight (kg)	PVC pleated blind
Cut out size (mm) W x H	Overall size (mm) (W+80) x (H+90)	Overall size (mm) (W+80) x (H+109)	Window+AL blind	Overall size (mm) (W+116) x (H+156)
260 x 560	340 x 650	340 x 669	6.06	376 x 716
620 x 560	700 x 650	700 x 669	9.40	736 x 716
735 x 560	815 x 650	815 x 669	11.07	851 x 716
970 x 560	1050 x 650	1050 x 669	13.33	1086 x 716

INSTALLATION DIAGRAM



YA-WT-07 Tempered Glass Top-Hung Hinged Window

Frame: High quality aluminum alloy

Frame color: Black, white, gray, can also be customized

Glass: Black single glazing tempered glass

Window stays: Infinitely adjustable window stays

Blind: Pleated blind or roller blind, with PVC frame or aluminum frame

Certificate: E-Mark or DOT

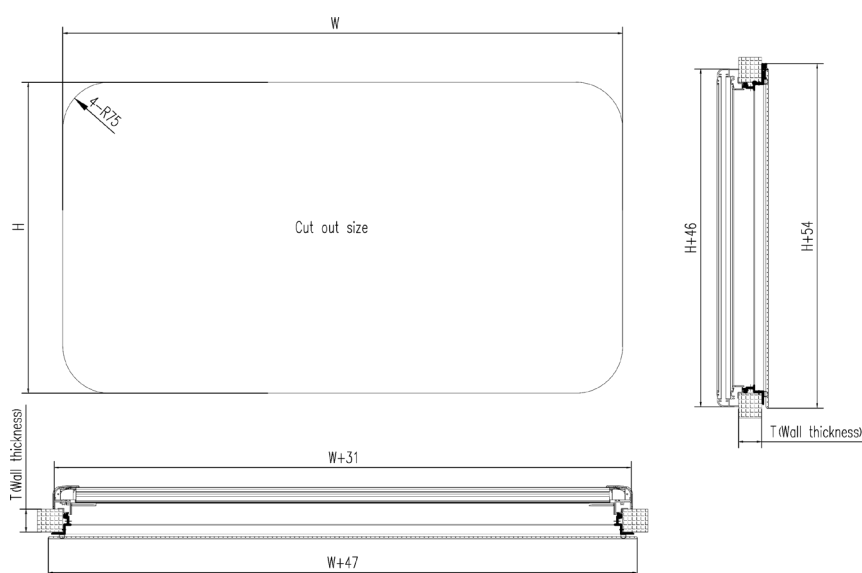
Wall thickness: 30-50mm



SPECIFICATIONS

Window			AL pleated blind	
Cut out size (mm) W x H	Overall size (mm) (W+47) x (H+54)	Weight (kg)	Overall size (mm) (W+31) x (H+46)	Weight (kg)
350 x 500	397 x 554	2.82	381 x 546	1.16
350 x 600	397 x 654	3.27	381 x 646	1.21
500 x 300	547 x 354	2.53	531 x 346	1.45
500 x 350	547 x 404	2.82	531 x 396	1.48
500 x 450	547 x 504	3.41	531 x 496	1.53
700 x 300	747 x 354	3.36	731 x 346	1.97
700 x 350	747 x 404	3.74	731 x 396	2.00
700 x 500	747 x 554	4.88	731 x 546	2.07
750 x 450	797 x 504	4.77	781 x 496	2.18
800 x 450	847 x 504	5.05	831 x 496	2.31
900 x 450	947 x 504	5.59	931 x 496	2.57
900 x 500	947 x 554	6.06	931 x 546	2.59
1000 x 500	1047 x 554	6.65	1031 x 546	2.85
1000 x 600	1047 x 654	7.67	1031 x 646	2.90
1100 x 450	1147 x 504	6.68	1131 x 496	3.09
1300 x 500	1347 x 554	8.42	1331 x 546	3.63

INSTALLATION DIAGRAM



YA-WT-09 Top-Hung Hinged Window (Narrow Frame)



Frame: High quality aluminum alloy

Frame color: Black, white, gray, can also be customized

Glass: Double glazing acrylic, UV resistant, flat outer surface, black or light gray

Window stays: Infinitely adjustable window stays, window stays with click-clack automatic, or window stays in screw fix type

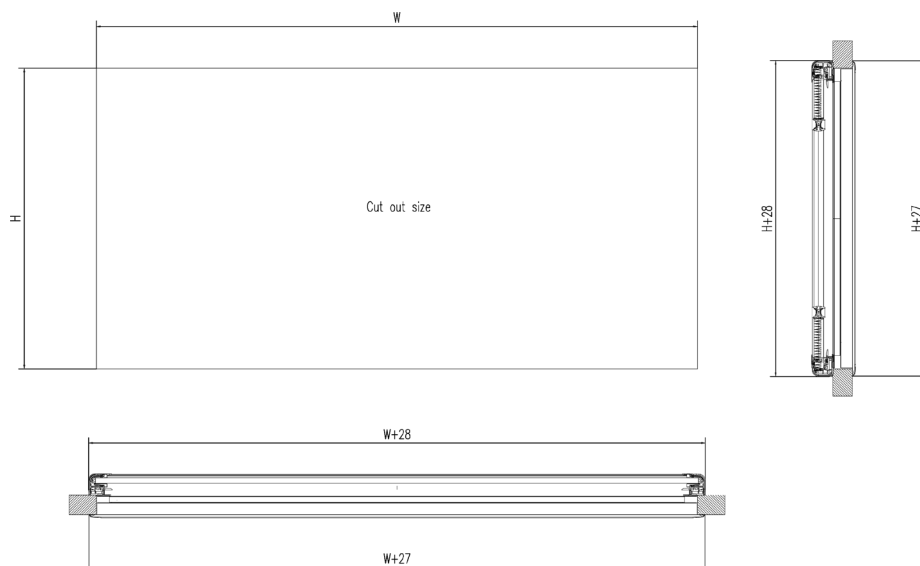
Blind: Pleated blind or roller blind, with PVC frame or aluminum frame

Installation: Through mounting frame

Certificate: E-Mark or DOT

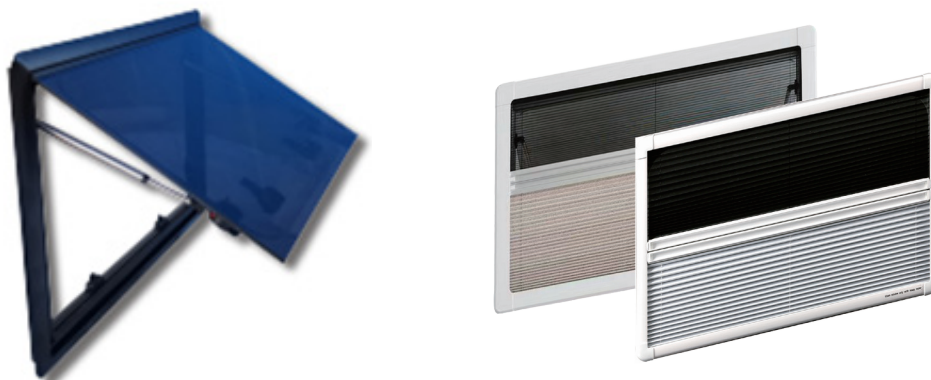
Wall thickness: 25-45mm

INSTALLATION DIAGRAM



Window			PVC pleated blind		AL pleated blind	
Cut out size (mm) W x H	Overall size (mm) (W+27) x (H+27)	Weight (kg)	Overall size (mm) (W+43) x (H+43)	Weight (kg)	Overall size (mm) (W+28) x (H+28)	Weight (kg)
300 x 450	327 x 477	2.38	343 x 493	0.89	328 x 478	0.98
350 x 300	377 x 327	1.98	393 x 343	0.94	378 x 328	1.05
450 x 300	477 x 327	2.38	493 x 343	1.18	478 x 328	1.31
450 x 400	477 x 427	2.87	493 x 443	1.22	478 x 428	1.35
450 x 500	477 x 527	3.36	493 x 543	1.26	478 x 528	1.39
500 x 250	527 x 277	2.31	543 x 293	1.28	528 x 278	1.43
500 x 300	527 x 327	2.58	543 x 343	1.30	528 x 328	1.45
500 x 350	527 x 377	2.84	543 x 393	1.32	528 x 378	1.47
500 x 400	527 x 427	3.10	543 x 443	1.34	528 x 428	1.49
500 x 450	527 x 477	3.36	543 x 493	1.36	528 x 478	1.51
500 x 500	527 x 527	3.63	543 x 543	1.38	528 x 528	1.53
510 x 510	537 x 537	3.73	553 x 553	1.40	538 x 538	1.56
550 x 500	577 x 527	3.89	593 x 543	1.49	578 x 528	1.66
600 x 350	627 x 377	3.27	643 x 393	1.55	628 x 378	1.73
600 x 400	627 x 427	3.56	643 x 443	1.57	628 x 428	1.75
600 x 450	627 x 477	3.86	643 x 493	1.59	628 x 478	1.77
600 x 500	627 x 527	4.15	643 x 543	1.61	628 x 528	1.79
600 x 600	627 x 627	4.74	643 x 643	1.65	628 x 628	1.83
610 x 610	637 x 637	4.86	653 x 653	1.68	638 x 638	1.86
650 x 450	677 x 477	4.10	693 x 493	1.71	678 x 478	1.90
700 x 300	727 x 327	3.37	743 x 343	1.77	728 x 328	1.98
700 x 350	727 x 377	3.69	743 x 393	1.79	728 x 378	2.00
700 x 400	727 x 427	4.02	743 x 443	1.81	728 x 428	2.02
700 x 500	727 x 527	4.68	743 x 543	1.85	728 x 528	2.06
700 x 510	727 x 537	4.74	743 x 553	1.85	728 x 538	2.06
700 x 600	727 x 627	5.33	743 x 643	1.89	728 x 628	2.10
700 x 800	727 x 827	6.64	743 x 843	1.97	728 x 828	2.18
700 x 900	727 x 927	7.30	743 x 943	2.01	728 x 928	2.22
800 x 400	827 x 427	4.48	843 x 443	2.04	828 x 428	2.28
800 x 450	827 x 477	4.84	843 x 493	2.06	828 x 478	2.30
800 x 500	827 x 527	5.20	843 x 543	2.08	828 x 528	2.32
800 x 510	827 x 537	5.27	843 x 553	2.08	828 x 538	2.32
900 x 350	927 x 377	4.55	943 x 393	2.26	928 x 378	2.53
900 x 450	927 x 477	5.33	943 x 493	2.30	928 x 478	2.57
900 x 500	927 x 527	5.73	943 x 543	2.32	928 x 528	2.59
900 x 550	927 x 577	6.12	943 x 593	2.34	928 x 578	2.61
900 x 600	927 x 627	6.51	943 x 643	2.36	928 x 628	2.63
900 x 900	927 x 927	8.87	943 x 943	2.48	928 x 928	2.75
1000 x 250	1027 x 277	4.13	1043 x 293	2.45	1028 x 278	2.75
1000 x 500	1027 x 527	6.25	1043 x 543	2.55	1028 x 528	2.85
1000 x 510	1027 x 537	6.34	1043 x 553	2.55	1028 x 538	2.85
1000 x 800	1027 x 827	8.80	1043 x 843	2.67	1028 x 828	2.97
1100 x 450	1127 x 477	6.32	1143 x 493	2.77	1128 x 478	3.10
1100 x 550	1127 x 577	7.23	1143 x 593	2.81	1128 x 578	3.14
1200 x 300	1227 x 327	5.34	1243 x 343	2.94	1228 x 328	3.30
1200 x 350	1227 x 377	5.83	1243 x 393	2.96	1228 x 378	3.32
1200 x 500	1227 x 527	7.30	1243 x 543	3.02	1228 x 528	3.38
1200 x 600	1227 x 627	8.28	1243 x 643	3.06	1228 x 628	3.42
1200 x 700	1227 x 727	9.26	1243 x 743	3.10	1228 x 728	3.46
1200 x 800	1227 x 827	10.24	1243 x 843	3.14	1228 x 828	3.50
1300 x 510	1327 x 537	7.93	1343 x 553	3.26	1328 x 538	3.65
1300 x 600	1327 x 627	8.87	1343 x 643	3.30	1328 x 628	3.69
1400 x 575	1427 x 602	9.18	1443 x 618	3.52	1428 x 603	3.94
1450 x 550	1477 x 577	9.18	1493 x 593	3.63	1478 x 578	4.06

YA-WT-10 Top-Hung Hinged Window



Frame: High quality aluminum alloy

Frame color: Black, white, gray, can also be customized

Glass: Double glazing acrylic, UV resistant, flat outer surface, black or light gray

Window stays: Infinitely adjustable window stays, window stays with click-clack automatic, or window stays in screw fix type

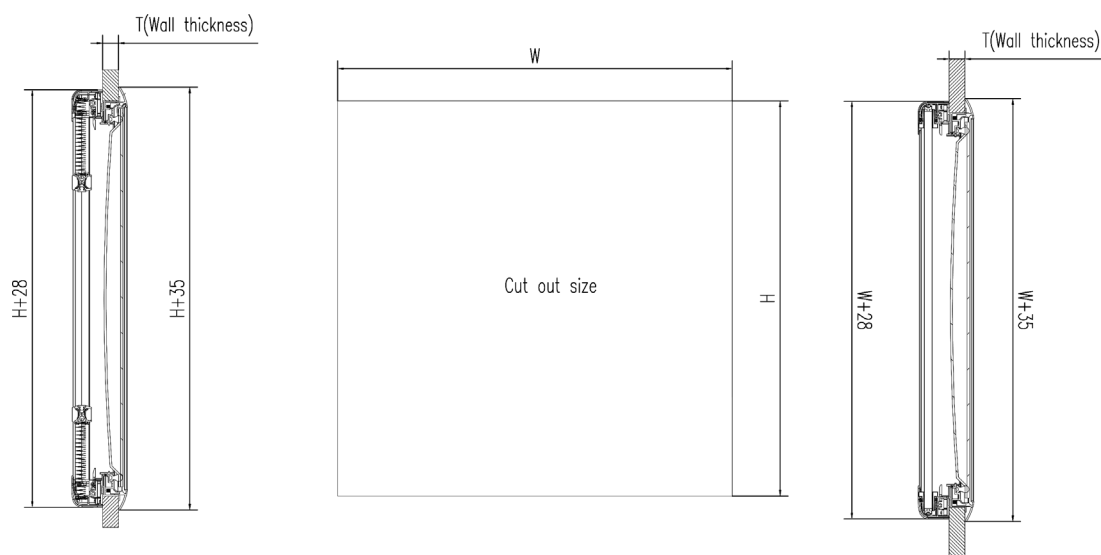
Blind: Pleated blind or roller blind, with PVC frame or aluminum frame

Installation: Through mounting frame

Certificate: E-Mark or DOT

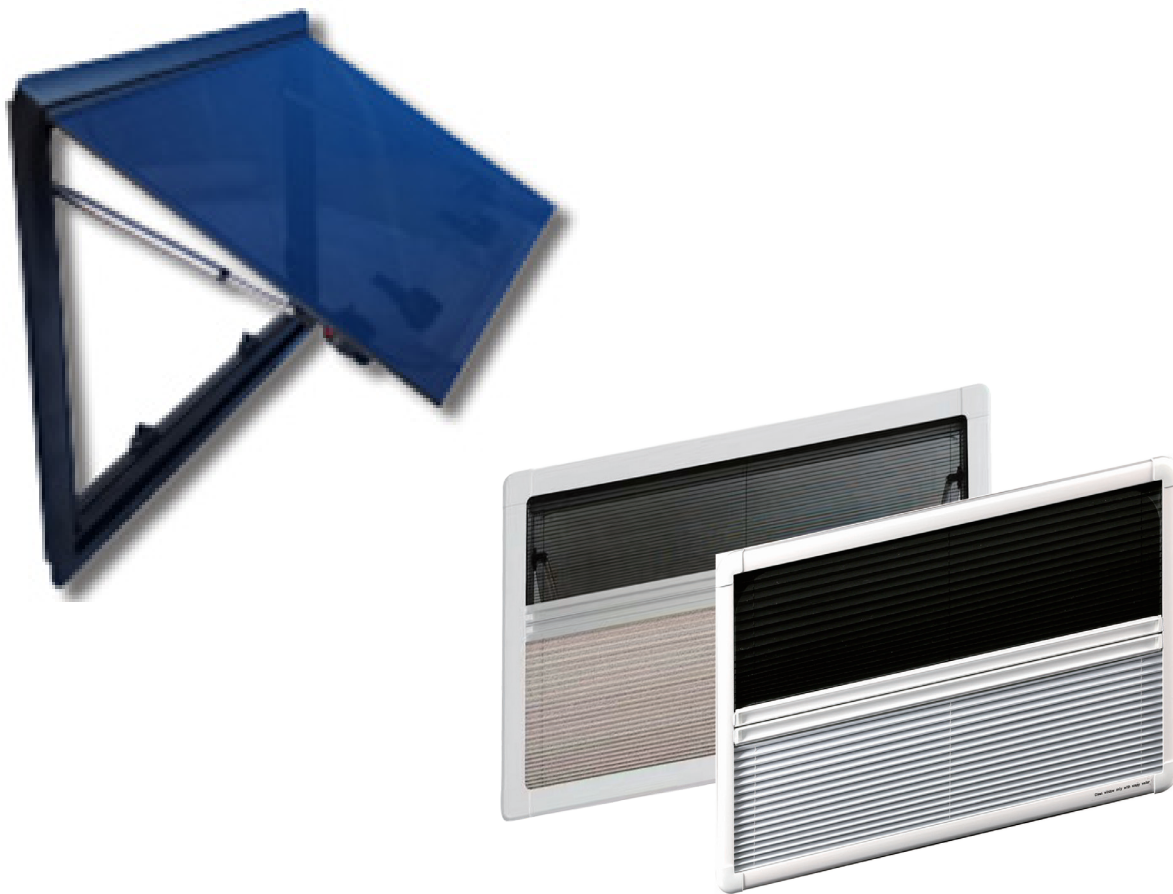
Wall thickness: 25-50mm

INSTALLATION DIAGRAM



Window			PVC pleated blind		AL pleated blind	
Cut out size (mm) W x H	Overall size (mm) (W+35) x (H+35)	Weight (kg)	Overall size (mm) (W+43) x (H+43)	Weight (kg)	Overall size (mm) (W+28) x (H+28)	Weight (kg)
300 x 450	335 x 485	2.42	343 x 493	0.89	328 x 478	0.98
350 x 300	385 x 335	2.01	393 x 343	0.94	378 x 328	1.05
450 x 300	485 x 335	2.42	493 x 343	1.18	478 x 328	1.31
450 x 400	485 x 435	2.92	493 x 443	1.22	478 x 428	1.35
450 x 500	485 x 535	3.43	493 x 543	1.26	478 x 528	1.39
500 x 250	535 x 285	2.35	543 x 293	1.28	528 x 278	1.43
500 x 300	535 x 335	2.62	543 x 343	1.30	528 x 328	1.45
500 x 350	535 x 385	2.89	543 x 393	1.32	528 x 378	1.47
500 x 400	535 x 435	3.16	543 x 443	1.34	528 x 428	1.49
500 x 450	535 x 485	3.43	543 x 493	1.36	528 x 478	1.51
500 x 500	535 x 535	3.70	543 x 543	1.38	528 x 528	1.53
510 x 510	545 x 545	3.81	553 x 553	1.40	538 x 538	1.56
550 x 500	585 x 535	3.97	593 x 543	1.49	578 x 528	1.66
600 x 350	635 x 385	3.33	643 x 393	1.55	628 x 378	1.73
600 x 400	635 x 435	3.63	643 x 443	1.57	628 x 428	1.75
600 x 450	635 x 485	3.94	643 x 493	1.59	628 x 478	1.77
600 x 500	635 x 535	4.24	643 x 543	1.61	628 x 528	1.79
600 x 600	635 x 635	4.85	643 x 643	1.65	628 x 628	1.83
610 x 610	645 x 645	4.97	653 x 653	1.68	638 x 638	1.86
650 x 450	685 x 485	4.19	693 x 493	1.71	678 x 478	1.90
700 x 300	735 x 335	3.43	743 x 343	1.77	728 x 328	1.98
700 x 350	735 x 385	3.77	743 x 393	1.79	728 x 378	2.00
700 x 400	735 x 435	4.10	743 x 443	1.81	728 x 428	2.02
700 x 500	735 x 535	4.78	743 x 543	1.85	728 x 528	2.06
700 x 510	735 x 545	4.85	743 x 553	1.85	728 x 538	2.06
700 x 600	735 x 635	5.46	743 x 643	1.89	728 x 628	2.10
700 x 800	735 x 835	6.81	743 x 843	1.97	728 x 828	2.18
700 x 900	735 x 935	7.48	743 x 943	2.01	728 x 928	2.22
800 x 400	835 x 435	4.58	843 x 443	2.04	828 x 428	2.28
800 x 450	835 x 485	4.95	843 x 493	2.06	828 x 478	2.30
800 x 500	835 x 535	5.32	843 x 543	2.08	828 x 528	2.32
800 x 510	835 x 545	5.39	843 x 553	2.08	828 x 538	2.32
900 x 350	935 x 385	4.64	943 x 393	2.26	928 x 378	2.53
900 x 450	935 x 485	5.45	943 x 493	2.30	928 x 478	2.57
900 x 500	935 x 535	5.86	943 x 543	2.32	928 x 528	2.59
900 x 550	935 x 585	6.27	943 x 593	2.34	928 x 578	2.61
900 x 600	935 x 635	6.67	943 x 643	2.36	928 x 628	2.63
900 x 900	935 x 935	9.11	943 x 943	2.48	928 x 928	2.75
1000 x 250	1035 x 285	4.20	1043 x 293	2.45	1028 x 278	2.75
1000 x 500	1035 x 535	6.40	1043 x 543	2.55	1028 x 528	2.85
1000 x 510	1035 x 545	6.49	1043 x 553	2.55	1028 x 538	2.85
1000 x 800	1035 x 835	9.04	1043 x 843	2.67	1028 x 828	2.97
1100 x 450	1135 x 485	6.47	1143 x 493	2.77	1128 x 478	3.10
1100 x 550	1135 x 585	7.41	1143 x 593	2.81	1128 x 578	3.14
1200 x 300	1235 x 335	5.45	1243 x 343	2.94	1228 x 328	3.30
1200 x 350	1235 x 385	5.96	1243 x 393	2.96	1228 x 378	3.32
1200 x 500	1235 x 535	7.48	1243 x 543	3.02	1228 x 528	3.38
1200 x 600	1235 x 635	8.50	1243 x 643	3.06	1228 x 628	3.42
1200 x 700	1235 x 735	9.51	1243 x 743	3.10	1228 x 728	3.46
1200 x 800	1235 x 835	10.53	1243 x 843	3.14	1228 x 828	3.50
1300 x 510	1335 x 545	8.13	1343 x 553	3.26	1328 x 538	3.65
1300 x 600	1335 x 635	9.10	1343 x 643	3.30	1328 x 628	3.69
1400 x 575	1435 x 610	9.42	1443 x 618	3.52	1428 x 603	3.94
1450 x 550	1485 x 585	9.42	1493 x 593	3.63	1478 x 578	4.06

YA-WT-11 Curved Top-Hung Hinged Window



Frame: High quality aluminum alloy

Frame color: Black, white, gray, can also be customized

Glass: Double glazing acrylic, UV resistant, with flat outer surface, black or light gray

Window stays: Infinitely adjustable window stays, window stays with click-clack automatic, or window stays in screw fix type

Blind: Pleated blind with PVC or aluminum frame

Curved radius: 5000mm, slightly curved exterior fits the panel van better

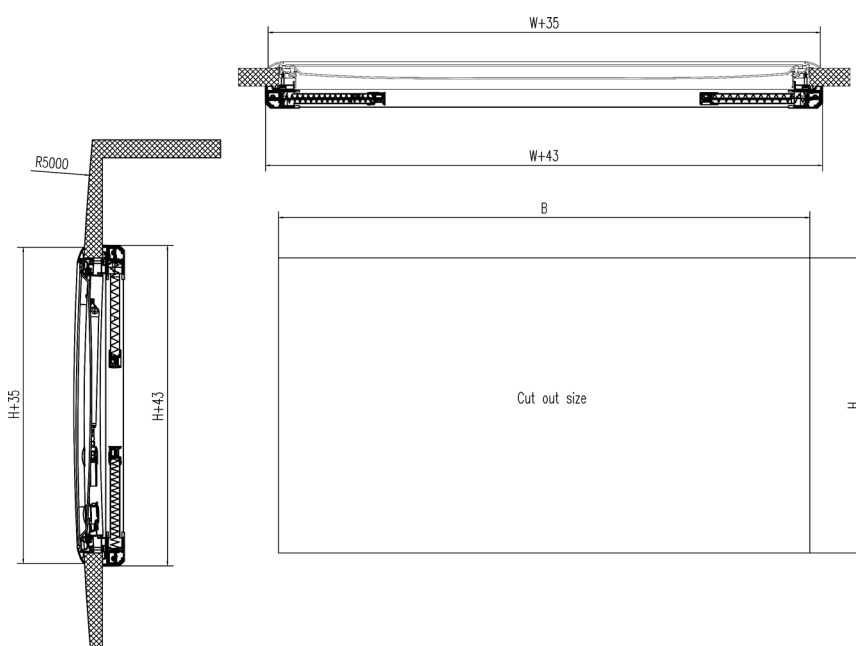
Installation: Through mounting frame

Certificate: E-Mark or DOT

Wall thickness: 25-50mm

SPECIFICATIONS

Window			PVC pleated blind		AL pleated blind	
Cut out size (mm) W x H	Overall size (mm) (W+35) x (H+35)	Weight (kg)	Overall size (mm) (W+43) x (H+43)	Weight (kg)	Overall size (mm) (W+28) x (H+28)	Weight (kg)
280 x 380	315 x 415	2.04	323 x 423	0.81	308 x 408	0.89
490 x 500	525 x 535	3.65	533 x 543	1.35	518 x 528	1.50
500 x 300	535 x 335	2.62	543 x 343	1.30	528 x 328	1.45
500 x 500	535 x 535	3.70	543 x 543	1.38	528 x 528	1.53
600 x 450	635 x 485	3.94	643 x 493	1.59	628 x 478	1.77
700 x 400	735 x 435	4.10	743 x 443	1.81	728 x 428	2.02
750 x 455	785 x 490	4.73	793 x 498	1.94	778 x 483	2.17
800 x 500	835 x 535	5.32	843 x 543	2.08	828 x 528	2.32
818 x 315	853 x 350	4.02	861 x 358	2.05	846 x 343	2.29
900 x 400	935 x 435	5.05	943 x 443	2.28	928 x 428	2.55
900 x 450	935 x 485	5.45	943 x 493	2.30	928 x 478	2.57
900 x 500	935 x 535	5.86	943 x 543	2.32	928 x 528	2.59
960 x 450	995 x 485	5.76	1003 x 493	2.44	988 x 478	2.72
985 x 465	1020 x 500	6.01	1028 x 508	2.50	1013 x 493	2.80
1000 x 500	1035 x 535	6.40	1043 x 543	2.55	1028 x 528	2.85
1100 x 600	1135 x 635	7.89	1143 x 643	2.83	1128 x 628	3.16

INSTALLATION DIAGRAM


YA-D Tempered Glass Sliding Window



Frame: High quality aluminum alloy

Frame color: Black, white, gray, can also be customized

Glass: Double glazing tempered glass, black or white transparent

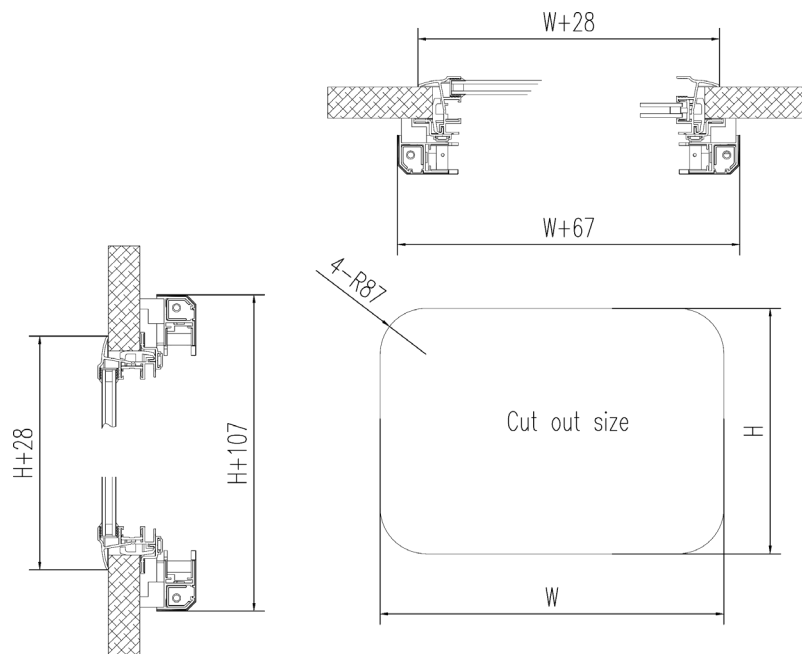
Style: Left and right sliding type, up and down lifting type or fixed type

Optional accessories: Pleated blind with PVC frame (order separately)

Certificate: E-Mark or DOT

Wall thickness: 30mm, 38mm, 40mm, 50mm, 56mm, or 71mm

INSTALLATION DIAGRAM |



SPECIFICATIONS

Window			PVC pleated blind	
Cut out size (mm) W x H	Overall size (mm) (W+28) x (H+28)	Weight (kg)	Overall size (mm) (W+67) x (H+107)	Weight (kg)
500 x 300	528 x 328	4.83	567 x 407	1.45
500 x 350	528 x 378	5.43	567 x 457	1.47
500 x 450	528 x 478	6.64	567 x 557	1.51
550 x 450	578 x 478	7.16	617 x 557	1.63
570 x 350	598 x 378	6.04	637 x 457	1.64
600 x 350	628 x 378	6.29	667 x 457	1.72
600 x 450	628 x 478	7.67	667 x 557	1.76
600 x 520	628 x 548	8.64	667 x 627	1.78
600 x 800	628 x 828	12.50	667 x 907	1.90
655 x 390	683 x 418	7.36	722 x 497	1.87
655 x 468	683 x 496	8.51	722 x 575	1.90
700 x 300	728 x 328	6.38	767 x 407	1.95
700 x 400	728 x 428	7.93	767 x 507	1.99
700 x 450	728 x 478	8.71	767 x 557	2.01
770 x 520	798 x 548	10.61	837 x 627	2.21
800 x 340	828 x 368	7.84	867 x 447	2.21
800 x 350	828 x 378	8.01	867 x 457	2.22
800 x 400	828 x 428	8.88	867 x 507	2.24
800 x 450	828 x 478	9.74	867 x 557	2.26
800 x 540	828 x 568	11.30	867 x 647	2.29
800 x 700	828 x 728	14.07	867 x 807	2.36
900 x 450	928 x 478	10.78	967 x 557	2.51
900 x 500	928 x 528	11.73	967 x 607	2.53
900 x 550	928 x 578	12.68	967 x 657	2.55
900 x 750	928 x 778	16.49	967 x 857	2.63
960 x 450	988 x 478	11.40	1027 x 557	2.66
1000 x 500	1028 x 528	12.85	1067 x 607	2.78
1000 x 650	1028 x 678	15.97	1067 x 757	2.84
1100 x 595	1128 x 623	16.12	1167 x 702	3.06



YA-WT-12 Acrylic Glass Sliding Window



Frame: High quality aluminum alloy

Frame color: Black, white, gray, can also be customized

Glass: Double glazing acrylic, UV resistant, black or light gray

Style: Left and right sliding type

Blind: Pleated blind with PVC frame or aluminum frame

Certificate: E-Mark or DOT

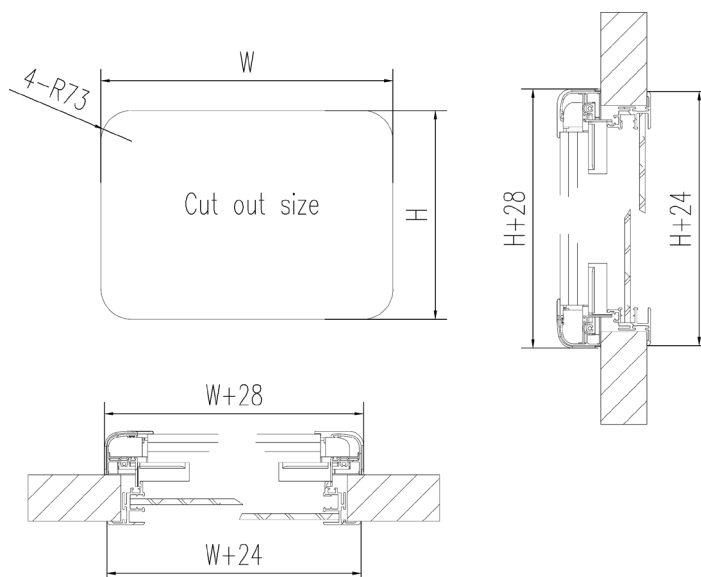
Wall thickness: 30-50mm



SPECIFICATIONS

Window			PVC pleated blind		AL pleated blind	
Cut out size (mm) W x H	Overall size (mm) (W+24) x (H+24)	Weight (kg)	Overall size (mm) (W+93) x (H+93)	Weight (kg)	Overall size (mm) (W+28) x (H+28)	Weight (kg)
700 x 400	724 x 424	4.15	793 x 493	1.97	728 x 428	2.02
700 x 500	724 x 524	4.15	793 x 593	2.01	728 x 528	2.06
800 x 510	824 x 534	4.84	893 x 603	2.25	828 x 538	2.32
900 x 450	924 x 474	4.8	993 x 543	2.47	928 x 478	2.57
1200 x 500	1224 x 524	7.12	1293 x 593	3.21	1228 x 528	3.38

INSTALLATION DIAGRAM



YA-WT-13 Acrylic Glass Sliding Window



Frame: High quality aluminum alloy

Color: Black, white, gray, can also be customized

Glass: Double glazing acrylic, UV resistant, black, or light gray

Style: Left and right sliding type

Blind: Pleated blind or roller blind, with PVC frame or aluminum frame

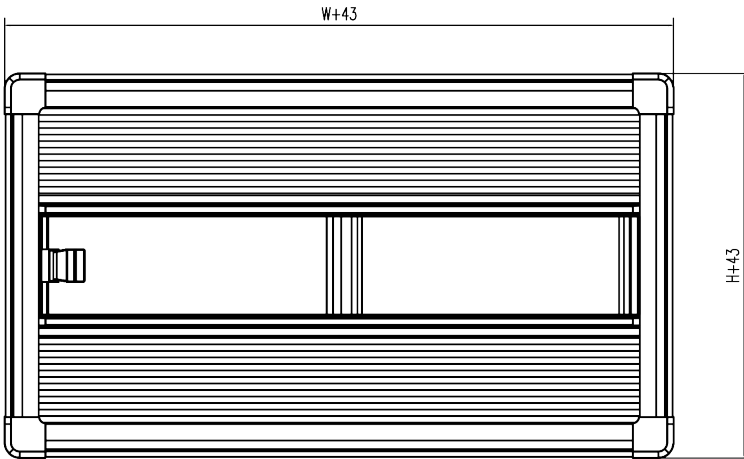
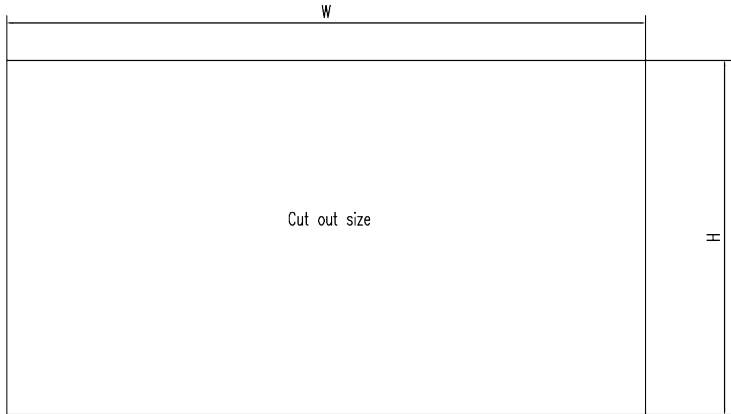
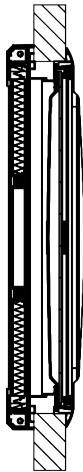
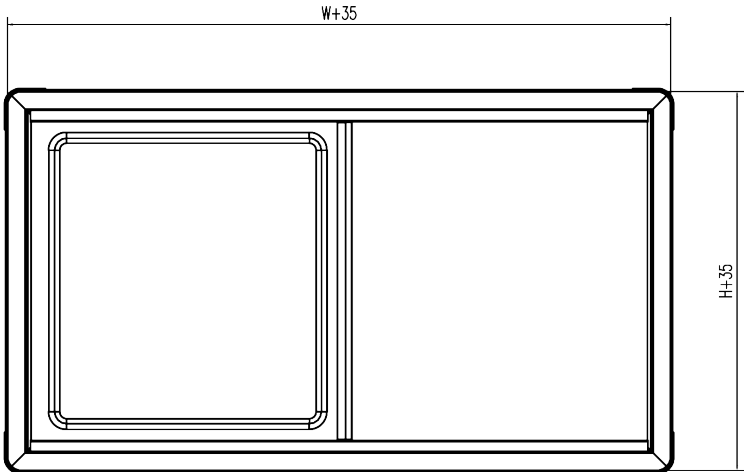
Certificate: E-Mark or DOT

Wall thickness: 30-50mm

SPECIFICATIONS

Window			PVC pleated blind		AL pleated blind	
Cut out size (mm) W x H	Overall size (mm) (W+35) x (H+35)	Weight (kg)	Overall size (mm) (W+43) x (H+43)	Weight (kg)	Overall size (mm) (W+28) x (H+28)	Weight (kg)
700 x 400	735 x 435	4.06	743 x 443	1.81	728 x 428	2.02
900 x 450	935 x 485	5.88	943 x 493	2.30	928 x 478	2.57
900 x 500	935 x 535	6.53	943 x 543	2.32	928 x 528	2.59
1000 x 500	1035 x 535	7.26	1043 x 543	2.55	1028 x 528	2.85
1200 x 500	1235 x 535	8.71	1243 x 543	3.02	1228 x 528	3.38

INSTALLATION DIAGRAM



YA-WT-14 Porthole Window

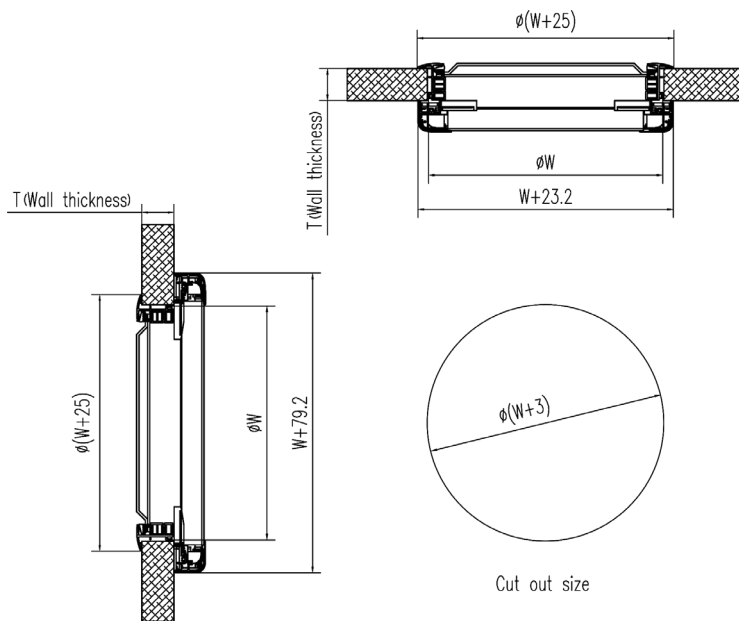
Frame: High quality aluminum alloy
Frame color: Black, white, gray, can also be customized
Glass: Double glazing acrylic, UV resistant, black, or light gray
Optional accessories: Pleated blind with aluminum frame (order separately)
Certificate: E-Mark or DOT
Wall thickness: 40mm



SPECIFICATIONS

Window				AL Pleated Blind	
Size (mm) W	Cut Out Size (mm) W+3	Overall Size (mm) W+25	Weight (kg)	Overall Size (mm) (W+79.2) x (W+23.2)	Weight (kg)
Φ295	Φ298	Φ320	1.35	374.2 x 318.2	1.05

INSTALLATION DIAGRAM



YA-L Skylight

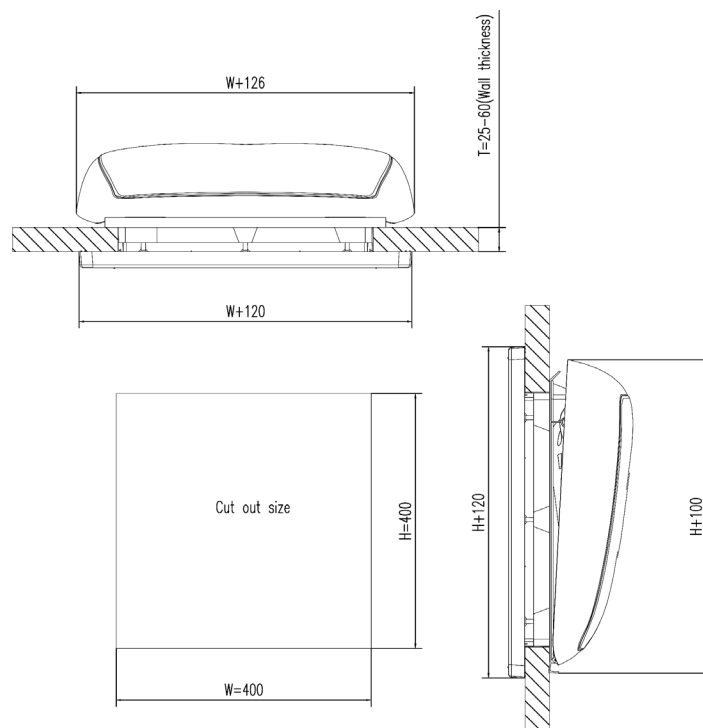
Frame: ASA
Glass: Double glazing acrylic, UV resistant, light tinting
Opening angle: Three opening position, maximum opening angle is 50°
Blind: Pleated mosquito screen and blind with ASA frame
Certificate: E-Mark or DOT
Wall thickness: 25-42mm



SPECIFICATIONS

Skylight			ASA pleated blind	
Cut out size (mm) W x H	Overall size (mm) (W+126) x (H+100)	Weight (kg)	Overall size (mm) (W+120) x (H+120)	Weight (kg)
400 x 400	526 x 500	2.90	520 x 520	0.70

INSTALLATION DIAGRAM

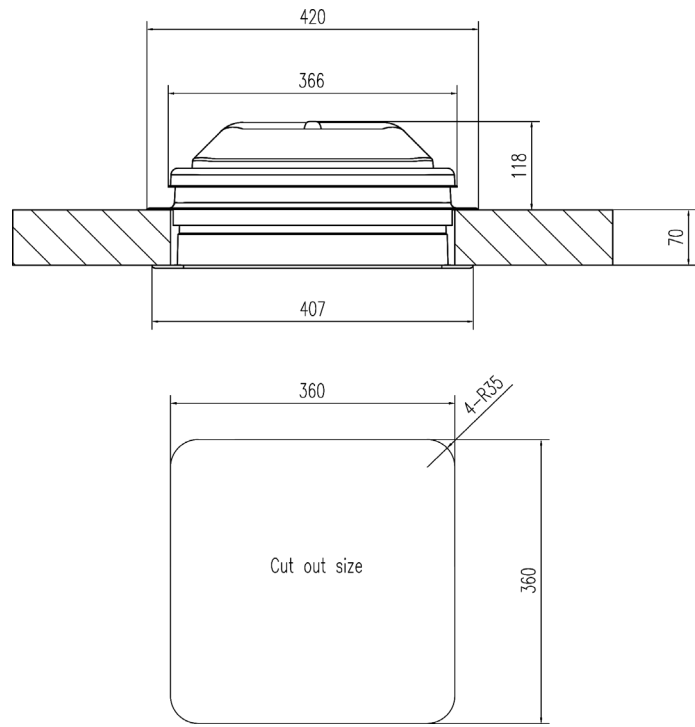


YA-S Roof Vent

Cut out size: 360 x 360mm
Overall size of inner frame: 407 x 407mm
Height (Closed): 118mm
Roof thickness: 25-70mm
Max. opening angle: 45°
Screen: removable
Fan diameter: 150mm
Ventilator fan: 12V 1.2A
LED Light: 10W
Net weight: 1.88kg



INSTALLATION DIAGRAM



YA-SC-01 Pleated Blind with rectangular PVC Frame

Frame: White PVC

Blind: Black insect screen and white blackout, can be used separately or together, infinitely adjustable

Handle: Detachable aluminum handle strips with magnet

Suitability: For WT-01, WT-05, WT-09, WT-10, WT-11, WT-12, WT-13, YA-D



YA-SC-02 Pleated Blind with rounded PVC Frame

Frame: White PVC

Blind: Black insect screen and white blackout, can be used separately or together, infinitely adjustable

Handle: Detachable aluminum handle strips with magnet

Suitability: For WT-02, WT-12



YA-SC-06 Roller Blind with PVC frame

Frame: White PVC

Blind: Black insect screen and white blackout, can be used separately or together, infinitely adjustable

Handle: Detachable aluminum handle strips without magnet

Suitability: For WT-01, WT-02, WT-09, WT-10, WT-13



YA-SC-07 Roller Blind with Aluminum frame

Frame: Powder-coated aluminum frame, white

Blind: Black insect screen and white blackout, can be used separately or together, infinitely adjustable

Handle: Detachable aluminum handle strips with magnet

Suitability: For WT-01, WT-02, WT-09, WT-10, WT-13



YA-SC-03 Pleated Blind with Aluminum Frame



Frame: Powder-coated aluminum frame, white. The frame can also be slightly curved to fit the panel van perfectly.

Blind: Black insect screen and white blackout, can be used separately or together, infinitely adjustable

Handle: Detachable aluminum handle strips with magnet

Suitability: For WT-02, WT-04, WT-05, WT-07, WT-09, WT-10, WT-11, WT-12, WT-13

YA-CK-01 Picnic Table

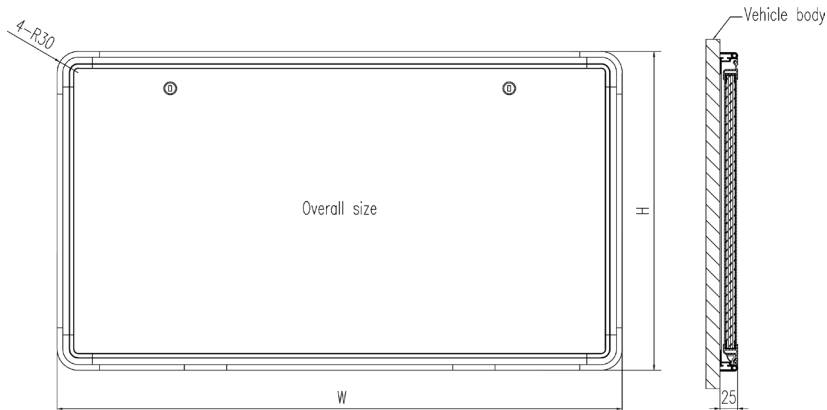
Frame & panel: High quality aluminum alloy
Color: Black, white, gray, can also be customized
Appearance: Design with two cup holders, beautiful and practical
Loading capacity: Max. 30kg
Optional accessories: LED lights (order separately)



SPECIFICATIONS

Overall size (mm) W x H	Weight (kg)
800 x 450	4.52
900 x 445	5.09

INSTALLATION DIAGRAM



YA-CZ-02 Picnic Table

Frame & panel: High quality aluminum alloy material

Color: Black, white, gray, can also be customized

Appearance: Design with two cup holders, beautiful and practical

Loading capacity: Max. 30kg

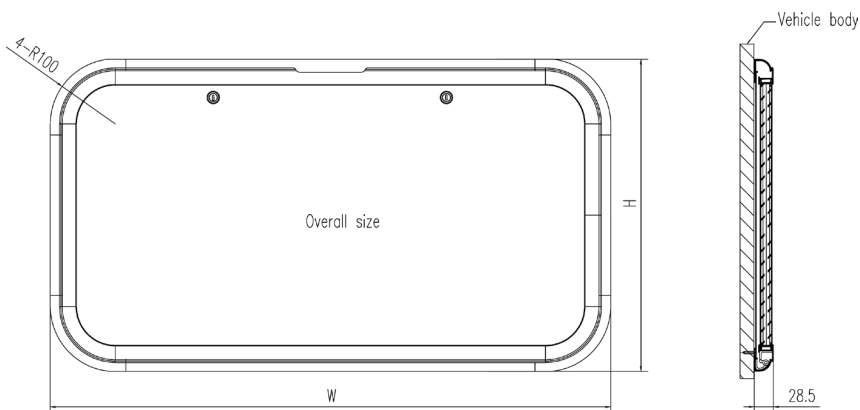
Optional accessories: LED lights (order separately)



SPECIFICATIONS

Overall size (mm) W x H	Weight (kg)
500 x 420	3.15
800 x 445	4.67

INSTALLATION DIAGRAM



YA-CZ-03 Picnic Table

Frame & panel: High quality aluminum alloy material

Color: Black, white, gray, can also be customized

Appearance: Design with two cup holders, beautiful and practical

Loading capacity: Max. 30kg

Optional accessories: LED lights (order separately)

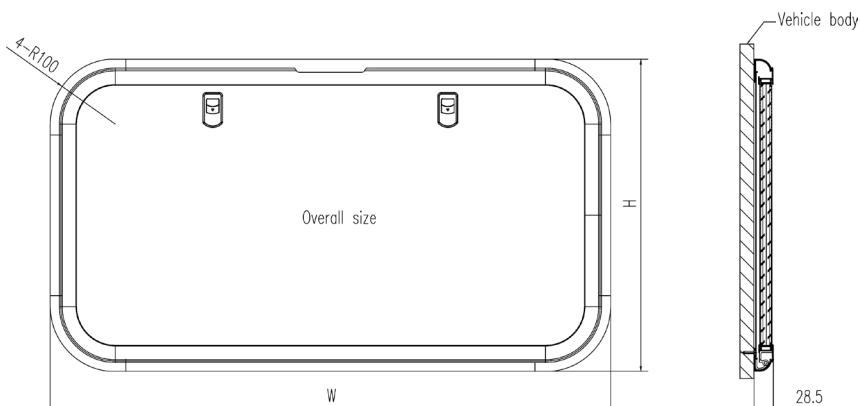
Characters: Equipped with a keyless flat lock, the table can be opened by pressing the lock, and it can be closed by pushing back, convenient, and fast



SPECIFICATIONS

Overall size (mm) W x H	Weight (kg)
500 x 420	3.15
800 x 445	4.67

INSTALLATION DIAGRAM



YA-V-01 Lifting Table Leg

Use: The multi-purpose rotating lifting table leg can be used as a dining table in the journey, can also be used as a bed leg at rest

Lifting height: The maximum lifting height is 730mm, and the minimum lifting height is 360mm, only these two heights, the lifting function is realized by stepping on the black button

Rotation: The platform can be rotated 360 degrees, with a fixed point every 90 degrees

Movement: The platform can move forward and backward or left and right, and can stop at any position

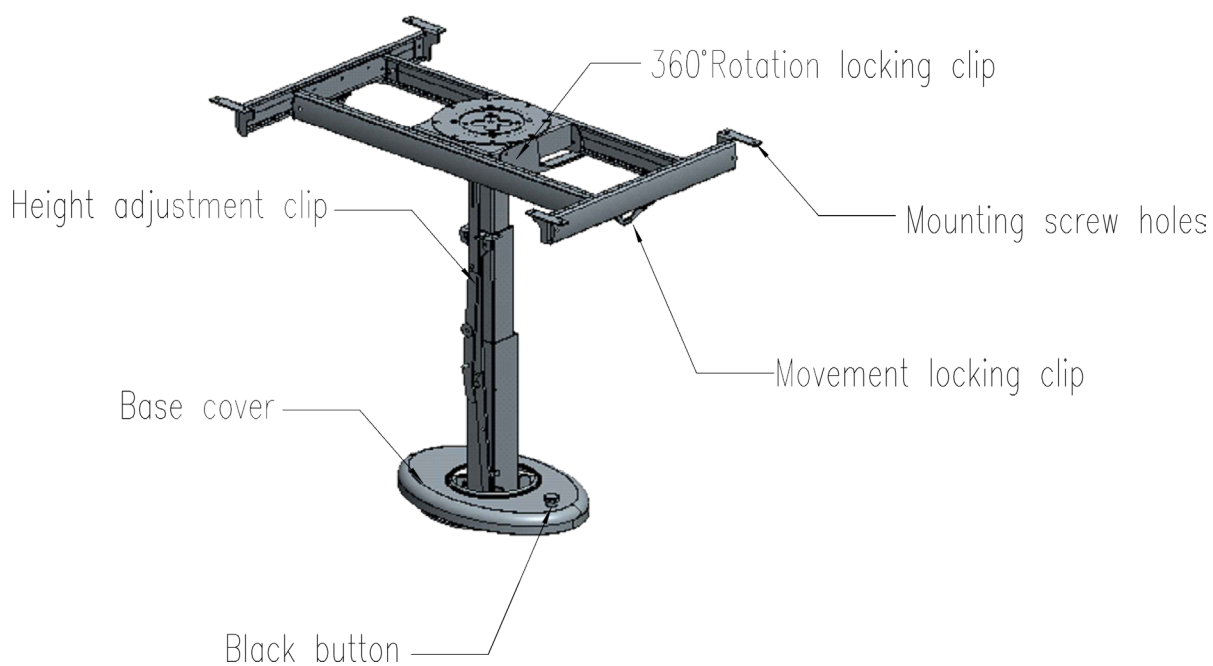


SPECIFICATIONS

Items	Data
Height	Minimum:360mm, Maximum:730mm
Capacity	90kg
Rotation Angle	360° freely
Moving Distance	Front and back:195mm, Left and Right: 395mm
Color	Platform: Silver gray; Other: Dark gray
Weight	13.5

INSTALLATION DIAGRAM

1. Unscrew the black button and move the base cover up slowly until the base is exposed.
2. The base is equipped with many mounting holes (as shown in the figure) for installation.
3. Tighten the nut, fix the base, and install it.



YA-DTB-01 Manual Single Step

Panel: Using high-strength non-slip panel, with non-slip rubber strips, better anti-slip performance and safe to use

Frame: The frame structure is made of aluminum alloy and electrophoresis steel plate, which not only ensures the strength of the product, but also meets the requirements of lightweight

Color: Silver gray or black

Loading capacity: 200kg

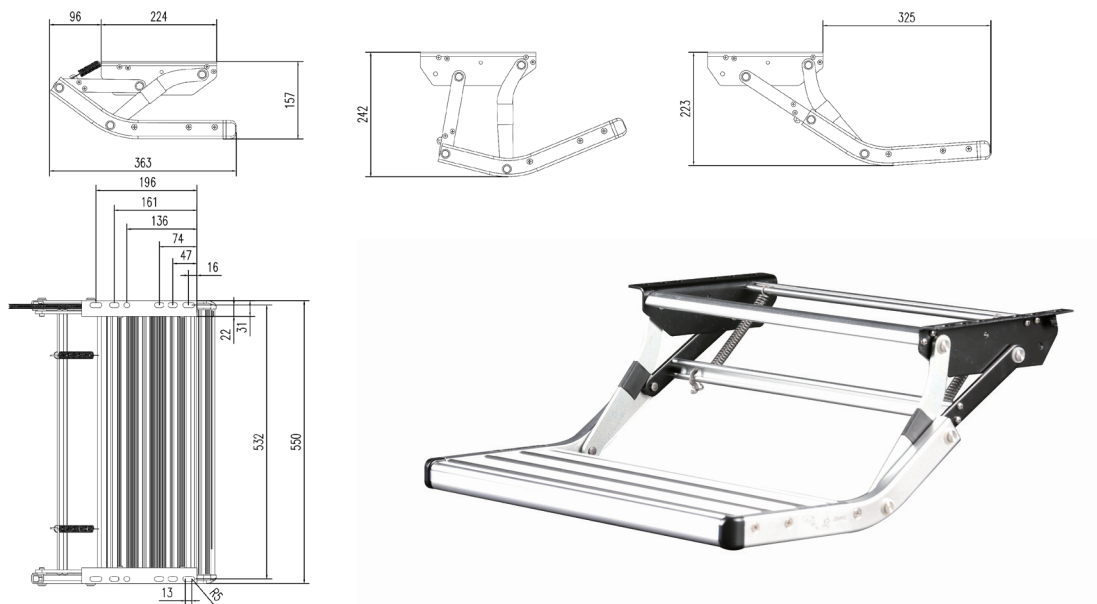
Optional accessories: White or blue LED lights

Size: The width can be customized

SPECIFICATIONS

Model number	Panel width (mm)	Overall width (mm)	Weight (kg)
YA-DTB-468	468	468	3.70
YA-DTB-550	550	550	3.90

INSTALLATION DIAGRAM



YA-STB-01 Manual Double Step

Panel: Using high-strength non-slip panel, with non-slip rubber strips, better anti-slip performance and safe to use

Frame: The frame structure is made of aluminum alloy and electrophoresis steel plate, which not only ensures the strength of the product, but also meets the requirements of lightweight

Color: Silver gray or black

Loading capacity: 200kg

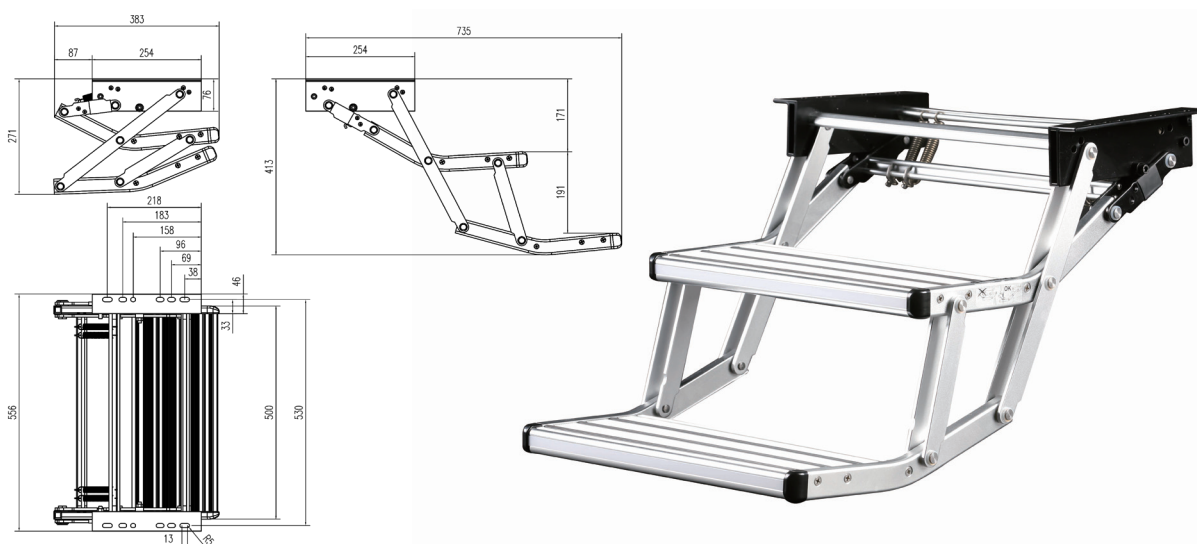
Optional accessories: White or blue LED lights

Size: The width can be customized

SPECIFICATIONS

Model number	Panel width (mm)	Overall width (mm)	Weight (kg)
YA-STB-380	380	436	6.35
YA-STB-446	446	502	6.65
YA-STB-502	502	558	6.90

INSTALLATION DIAGRAM



YA-DTB-02 Electric Single Step

Main body: High strength aluminum alloy
Side support: It is made of electrophoretic steel plate, which has high strength and is not easy to corrode
Color: Silver gray or black
Warning switch: It is equipped with a switch connected to the vehicle alarm light to prevent the step from sticking out while driving
Optional accessories: LED lights to optimize lighting; Wireless remote control, no drilling and wiring required
Loading capacity: 200kg
Standard: The mechanical strength and anti-skid performance of the step comply with the European DIN EN 1646-1:2018-04 standard
Certificate: CE
Size: The width can be customized
Attention: When the step is not fully opened, stepping on the pedal will damage the motor and gear!

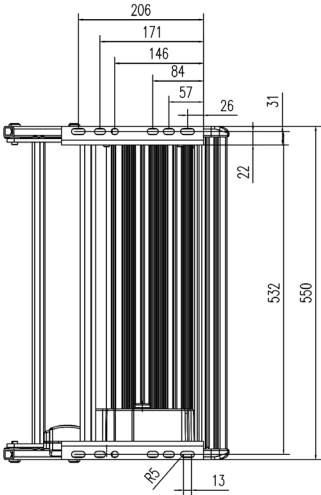
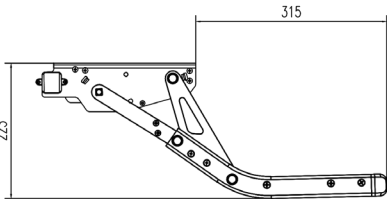
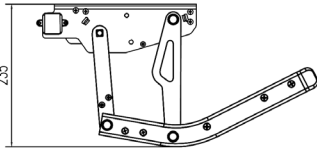
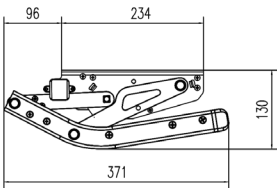
SPECIFICATIONS

Model number	Panel width (mm)	Overall width (mm)	Weight (kg)
YA-DTB-02	550	550	4.70





INSTALLATION DIAGRAM



YA-STB-02 Electric Double Step

Main body: High strength aluminum alloy
Side support: It is made of electrophoretic steel plate, which has high strength and is not easy to corrode
Color: Silver gray or black
Warning switch: It is equipped with a switch connected to the vehicle alarm light to prevent the step from sticking out while driving
Optional accessories: LED lights to optimize lighting; Wireless remote control, no drilling and wiring required
Loading capacity: 200kg
Standard: The mechanical strength and anti-skid performance of the step comply with the European DIN EN 1646-1:2018-04 standard
Certificate: CE
Size: The width can be customized
Attention: When the step is not fully opened, stepping on the pedal will damage the motor and gear!

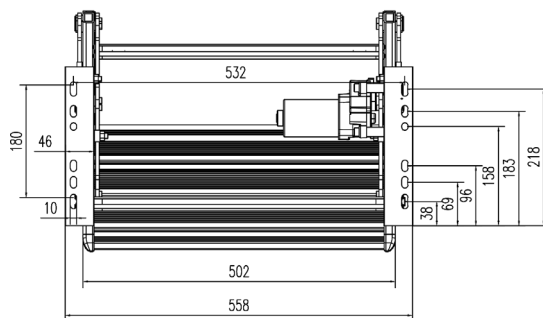
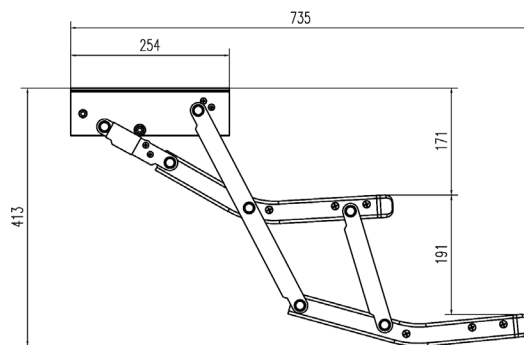
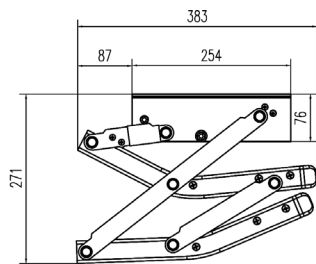
SPECIFICATIONS

Model number	Panel width (mm)	Overall width (mm)	Weight (kg)
YA-STB-02	502	558	8.50





INSTALLATION DIAGRAM





YONGAN VEHICLE WINDOW
ONE WINDOW ONE WORLD

CONTACT US ■

LONGKOU YONGAN VEHICLE WINDOW CO., LTD.



Address:

No. 3 Yongan Road, New & High-Tech Industrial Zone, Longkou City
265700 Shandong, China



Web: www.chechuang.cn



Tel.: +86 0535 8662688



Fax: +86 0535 8662688



Email: info@chechuang.cn

Jessie Wang



+86 18660087026



Lkyongan@chechuang.cn

Vivian Yu



+86 18660087028



sales@chechuang.cn

