


**特性**

- 20A触点切换能力
- 适用于微波炉等产品
- 线圈与触点间介质耐压5KV
- 线圈与触点间抗浪涌电压10KV
- UL绝缘等级：F级绝缘等级可供选择
- 爬电距离8mm
- 低高度，仅为24.5mm
- 外形尺寸：(29×12.6×24.5)mm

**触点参数**

触点形式	1A
接触电阻	≤100mΩ(1A 6VDC)
触点材料	银合金
触点负载(阻性)	16A 250VAC
最大切换额定电压	277VAC
最大切换额定电流	16A
最大切换额定功率	4432VA
机械耐久性	1,000,000次
电耐久性(阻性)	100,000次(1s通9s断)

**性能参数**

绝缘电阻	1000MΩ(500VDC)	
介质耐压	线圈与触点间	4500VAC 1min
	断开触点间	1000VAC 1min
动作时间(额定电压下)	≤20ms	
释放时间(额定电压下)	≤10ms	
抗振动	稳定性	10Hz ~ 55Hz 1.5mm
	强度	10Hz ~ 55Hz 1.5mm
抗冲击	稳定性	10G Min
	强度	100G Min
湿度	5% ~ 85%Rh	
温度范围	-40℃ ~ 105℃	
引出端形式	PCB	
重量	约16g	

**线圈规格表**

温度：23℃

额定电压 (VDC)	额定电流 ±%(mA)	线圈电阻 ±10%(Ω)	最大连续外加电压	吸合电压 (Max)	释放电压 (Min)	线圈额定功率 (W)
3	180	16.67	额定电压的130%	额定电压的75%	额定电压的10%	0.54
5	108	46.3				
6	90	66.67				
9	60	150				
12	45	266.67				
18	30	600				
24	22.5	1066.67				
48	11.25	4266.67				

**安规认证**

认证类别	CQC	TUV	UL
证书号	CQC11002061822	R 50217082	E321783
负载要求	16A 250VAC	16A 250VAC	20A 125VAC 16A 277VAC 16A 250VAC 16A 125VAC

**GU 命名规则**

GU -1A -12 D P S F XXX

 特殊说明：无--标准型；字母或数字-特殊说明  
 T--过灼热丝产品

绝缘等级：无--Class B；F--Class F

密封方式：无--塑封防尘型，C--防助焊剂型

端子形式：无--标准型；P--PCB型

线圈功率：D--0.54W

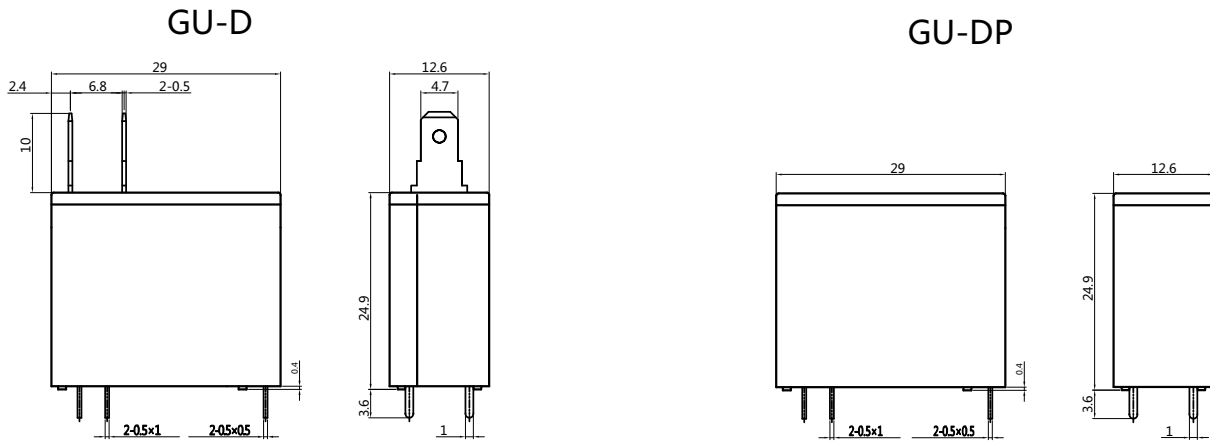
线圈额定电压 (VDC)：3, 5, 6, 9, 12, 18, 24, 48

触点形式：1A--1组常开型触点

型号：GU

**外形图**

单位:mm

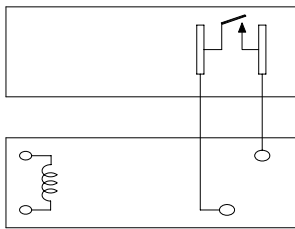


注：产品部分外形尺寸未注尺寸公差，当外形尺寸 < 1mm，公差为±0.2mm；  
当外形尺寸在1~5mm之间时，公差为±0.3mm；当外形尺寸 > 5mm，公差为±0.4mm。

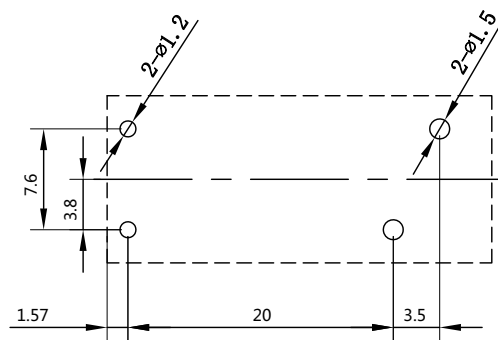
**接线图、安装孔尺寸图**

单位:mm

接线图(底视图)

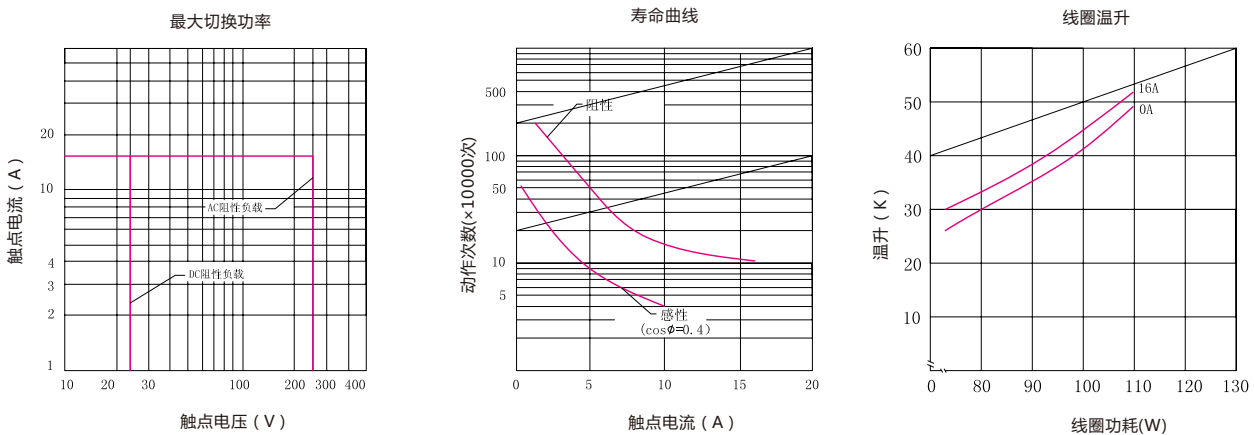


安装孔尺寸图(底视图)



注：引出端子尺寸为预焊前尺寸；安装孔尺寸公差为：±0.1mm。

**性能曲线图**



**声明:**

本产品规格书仅供客户使用时参考,若有更改,恕不另行通知。

对高登而言,不可能评定继电器在每个具体应用领域的所有性能参数要求,因而客户应该根据具体的使用条件选择与之相配的产品,若有疑问,请与高登联系获取更多的技术支持,但是产品选型责任由客户负责。

©深圳高登电科股份有限公司版权所有,本公司保留所有权利。



### Characteristics

- 20A contact switching capability
- Suitable for microwave ovens and other products
- Dielectric withstand voltage between coil and contact 5KV
- Anti-surge voltage between coil and contact 10KV
- Creepage distance 8mm
- Low height, only 24.5mm
- Dimensions: (29×12.6×24.5)mm

### Contact parameter

Contact form	1A
Contact resistance	≤100mΩ(1A 6VDC)
Contact material	Silver alloy
Contact load (resistance)	16A 250VAC
Maximum switching rated voltage	277VAC
Maximum switching current rating	16A
Maximum switching power rating	4432VA
Mechanical durability	1,000,000 times
Electrical durability(resistive)	100,000次 times ( 1s on 9s off )

### Performance parameter

Insulation resistance	1000MΩ(500VDC)	
Dielectric withstand voltage	Coil and contact	4500VAC 1min
	Disconnect the contacts	1000VAC 1min
Operating time (at rated voltage)	≤20ms	
Release time (at rated voltage)	≤10ms	
Vibration resistant	Malfunction	10Hz~55Hz 1.5mm
	Durability	10Hz~55Hz 1.5mm
Impact resistance	Malfunction	10G Min
	Durability	100G Min
humidity	5%~85%Rh	
temperature range	-40°C~105°C	
Terminal form	PCB	
weight	About 16g	

Coil parameter						Temperature: 23°C
Nominal Voltage (VDC)	Rated current ±%(mA)	Coil resistance ±10%(Ω)	Maximum continuous applied voltage	Pull-in voltage (Max)	Release voltage (Min)	Coil rated power (W)
3	180	16.7	130% of rated voltage	75% of rated voltage	10% of rated voltage	0.54
5	108	46.3				
6	90	66.7				
9	60	150				
12	45	266.7				
18	30	600				
24	22.5	1066.7				
48	11.25	4266.7				

Safety certification			
Certification category	CQC	TUV	UL
Certificate No	CQC14002105590	R 50158866	E321783
Load requirement	16A 250VAC	16A 250VAC	20A 125VAC 16A 277VAC 16A 250VAC 16A 125VAC

### GU Naming rules

GU -1A -12 D P S F XXX

Special instructions: none-standard type; letters or numbers-special instructions  
T--Meet the IEC60335 glow-wire standard

Insulation class: Blank--Class B; F--Class F

Sealing method: Blank--plastic sealed dustproof type; C--fully sealed type

Terminal form: Blank--standard type; P--PCB type

Rated coil power : D--0.54W

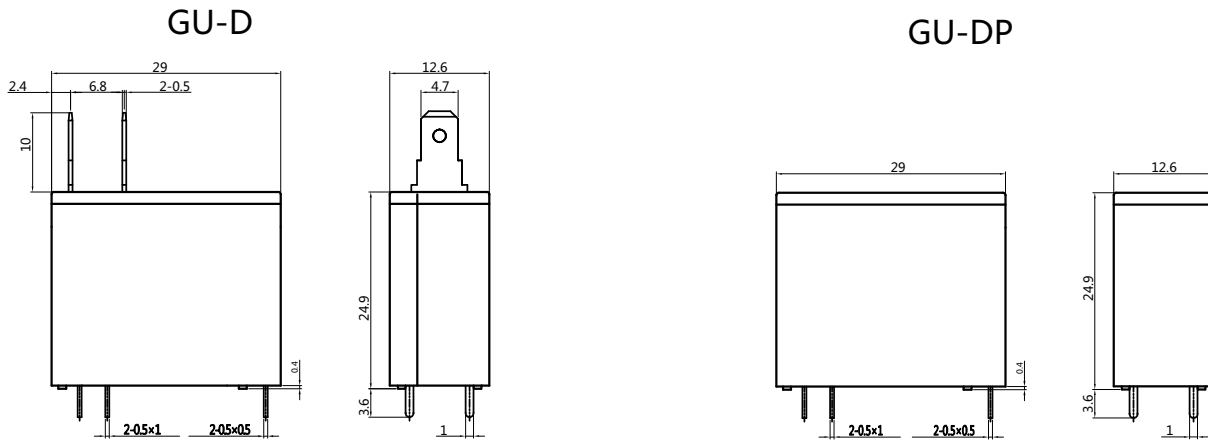
Rated coil voltage ( VDC ) : 3 , 5 , 6 , 9 , 12,18 , 24,48

Contact Form: 1A--1 pole make contact

Model: GU

Outline drawing

Unit: mm

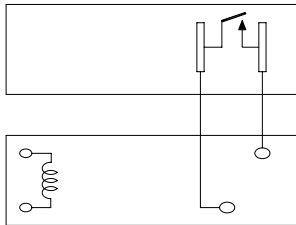


Note: Part of the product has no tolerances on the external dimensions.  
When the external dimensions are less than 1mm, the tolerance is  $\pm 0.2\text{mm}$ ;  
When the external dimension is between 1~5mm, the tolerance is  $\pm 0.3\text{mm}$ ;  
When the external dimension  $> 5\text{mm}$ , the tolerance is  $\pm 0.4\text{mm}$ .

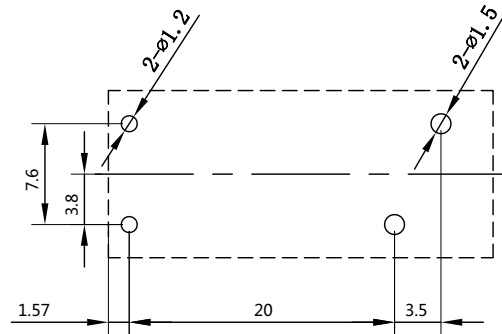
Wiring diagram (bottom view), Mounting hole size (bottom view)

Unit: mm

Wiring diagram (bottom view)

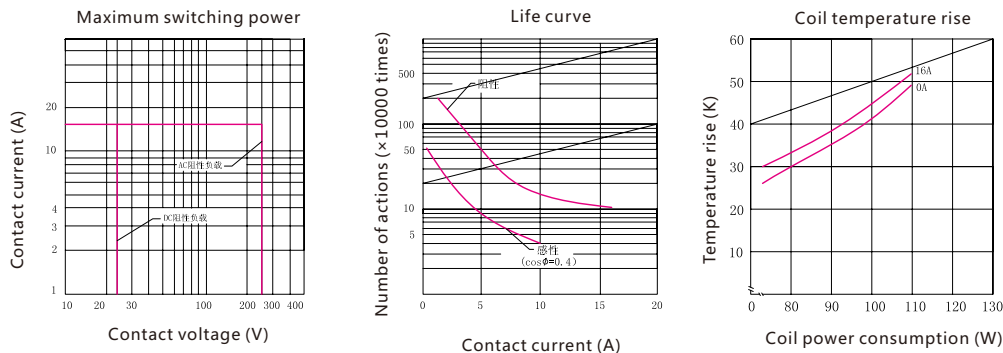


Mounting hole size drawing (bottom view)



Note: The size of the lead terminal is the size before pre-welding; the size tolerance of the mounting hole:  $\pm 0.1\text{mm}$ .

Performance graph



statement:

This product specification is only for reference when customers use it, and subject to change without notice. For Gordon, it is impossible to evaluate all the performance parameter requirements of the relay in each specific application field. Therefore, the customer should choose the product that matches it according to the specific use conditions. If you have questions, please contact Gordon for more technical support, but the customer is responsible for product selection.

©Shenzhen Gordon Electronics Co., Ltd. All rights reserved. All rights are reserved by the company.