



特性

- 小型高灵敏度继电器,功率0.2W
- 两组转换触点形式
- 外形尺寸 : (20.2× 10×11.8)mm

触点参数

触点形式	2C
接触电阻	≤100mΩ (1A 6VDC)
触点材料	银合金
触点负载(阻性)	1A 125VAC
最大切换额定电压	125VAC
最大切换额定电流	1A
最大切换额定功率	125VA
机械耐久性	10,000,000次
电耐久性(阻性)	100,000次 (1s通9s断)

性能参数

绝缘电阻	1000MΩ(500VDC)	
介质耐压	线圈与触点间	1000VAC 1min
	断开触点间	500VAC 1min
动作时间(额定电压下)	≤6ms	
释放时间(额定电压下)	≤4ms	
抗振动	稳定性	10Hz ~ 55Hz 1.5mm
	强度	10Hz ~ 55Hz 1.5mm
抗冲击	稳定性	10G Min
	强度	100G Min
湿度	5% ~ 85%Rh	
温度范围	-40°C ~ 85°C	
引出端形式	PCB	
重量	约4.6g	

线圈规格表

温度 : 23°C

额定电压 (VDC)	额定电流 ±%(mA)	线圈电阻 ±10%(Ω)	最大连续外加电压	吸合电压 (Max)	释放电压 (Min)	线圈额定功率 (W)
3	66.6	45	额定电压的130%	额定电压的75%	额定电压的10%	0.2
5	40	125				
6	33.3	180				
9	22.2	405				
12	16.6	720				
18	11.1	1620				
24	8.3	2880				
3	120	25	额定电压的130%	额定电压的75%	额定电压的10%	0.36
5	72	69				
6	60	100				
9	40	225				
12	30	400				
18	20	900				
24	15	1600				

安规认证

认证类别	CQC	TUV	UL
证书号	/	R 50297176	E321783
负载要求	/	1A 125VAC 2A 30VDC 3A 24VDC	1A 125VAC 2A 30VDC

GC 命名规则

GC -2 C-12 L C F

绝缘等级 : 无--Class A ; F--Class F

密封方式 : 无--塑封防尘型 ; C--全密封型 ; S--防爆型

线圈功率 : L--0.2W ; D--0.36W ;

线圈额定电压 (VDC) : 3,5 , 6 , 9 , 12 , 18 , 24

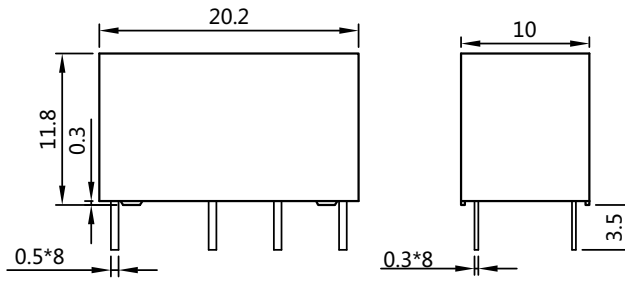
触点形式 : C--转换型

触点组数 : 2--2组触点

型号 : GC

外形图

单位:mm

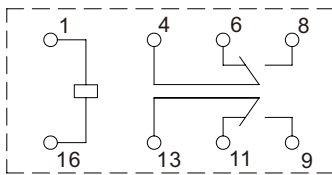


注：产品部分外形尺寸未注尺寸公差，当外形尺寸 < 1mm，公差为 ±0.2mm；
当外形尺寸在 1~5mm 之间时，公差为 ±0.3mm；当外形尺寸 > 5mm，公差为 ±0.4mm。

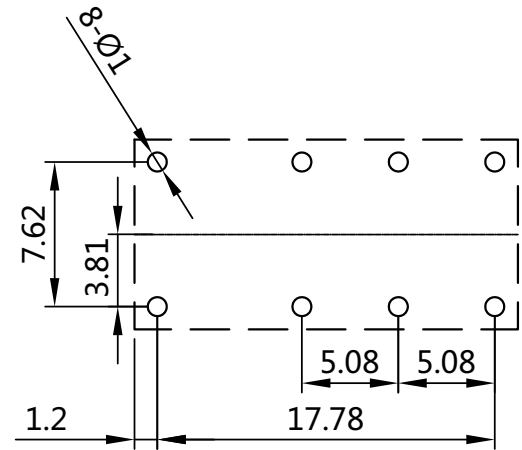
接线图、安装孔尺寸图

单位:mm

接线图(底视图)

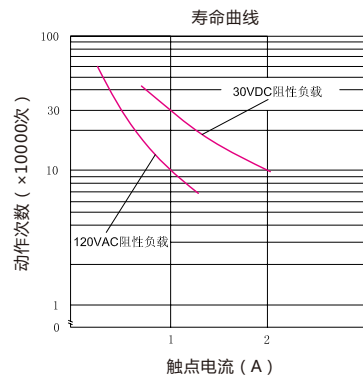
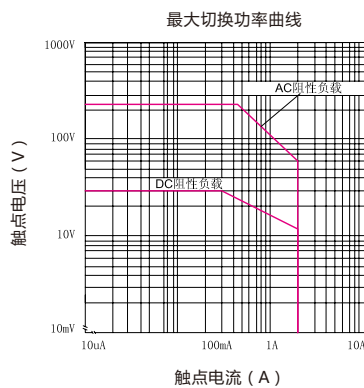


安装孔尺寸图(底视图)



注：引出端子尺寸为预焊前尺寸；安装孔尺寸公差：±0.1mm。

性能曲线图



声明:

本产品规格书仅供客户使用时参考,若有更改,恕不另行通知。

对高登而言,不可能评定继电器在每个具体应用领域的所有性能参数要求,因而客户应该根据具体的使用条件选择与之相配的产品,若有疑问,请与高登联系获取更多的技术支持,但是产品选型责权由客户负责。

©深圳高登电科股份有限公司版权所有,本公司保留所有权利。



Characteristics

- Small high-sensitivity relay, power 0.2W
- Two groups of conversion contact forms
- Dimensions:(20.2× 10× 11.8)mm

Contact parameter

Contact form	2C
Contact resistance	≤100mΩ(1A 6VDC)
Contact material	Silver alloy
Contact load (resistance)	1A 125VAC
Maximum switching rated voltage	125VAC
Maximum switching current rating	1A
Maximum switching power rating	125VA
Mechanical durability	10,000,000 times
Electrical durability(resistive)	100,000次 times (1s on 9s off)

Performance parameter

Insulation resistance	1000MΩ(500VDC)	
Dielectric withstand voltage	Coil and contact	1000VAC 1min
	Disconnect the contacts	500VAC 1min
Operating time (at rated voltage)	≤6ms	
Release time (at rated voltage)	≤4ms	
Vibration resistant	Malfunction	10Hz~ 55Hz 1.5mm
	Durability	10Hz~ 55Hz 1.5mm
Impact resistance	Malfunction	10G Min
	Durability	100G Min
humidity	5% ~ 85%Rh	
temperature range	-40℃ ~ 85℃	
Terminal form	PCB	
weight	About 4.6g	

Coil parameter
Temperature: 23°C

Nominal Voltage (VDC)	Rated current ±%(mA)	Coil resistance ±10%(Ω)	Maximum continuous applied voltage	Pull-in voltage (Max)	Release voltage (Min)	Coil rated power (W)
3	66.6	45	130% of rated voltage	75% of rated voltage	10% of rated voltage	0.2
5	40	125				
6	33.3	180				
9	22.2	405				
12	16.6	720				
18	11.1	1620				
24	8.3	2880	130% of rated voltage	75% of rated voltage	10% of rated voltage	0.36
3	120	25				
5	72	69				
6	60	100				
9	40	225				
12	30	400				
18	20	900	130% of rated voltage	75% of rated voltage	10% of rated voltage	0.36
24	15	1600				

Safety certification

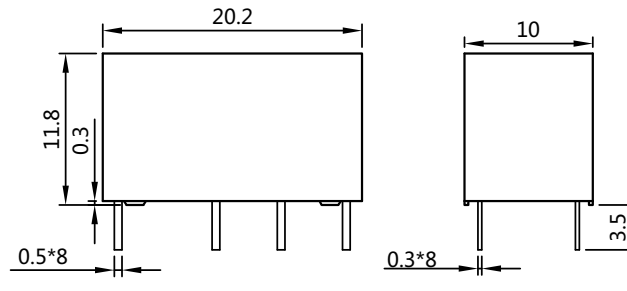
Certification category	CQC	TUV	UL
Certificate No	/	R 50158866	E321783
Load requirement	/	1A 125VAC 2A 30VDC 3A 24VDC	1A 125VAC 2A 30VDC

GC Naming rules

GC	-2C	-12	L	C	F
Insulation class: Blank--Class A; F--Class F					
Sealing method: Blank--plastic sealed dustproof type; C--fully sealed type; S--water burst type					
Rated coil power : L--0.2W ; D--0.36W					
Rated coil voltage (VDC) : 3 , 5 , 6 , 9 , 12 , 18 , 24					
Contact Form: 2C--2 pole change-over contact					
Model: GC					

Outline drawing

Unit: mm

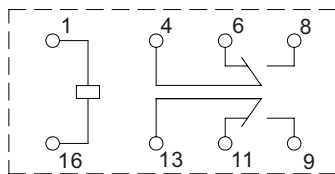


Note: Part of the product has no tolerances on the external dimensions.
 When the external dimensions are less than 1mm, the tolerance is ± 0.2 mm;
 When the external dimension is between 1~5mm, the tolerance is ± 0.3 mm;
 When the external dimension >5mm, the tolerance is ± 0.4 mm.

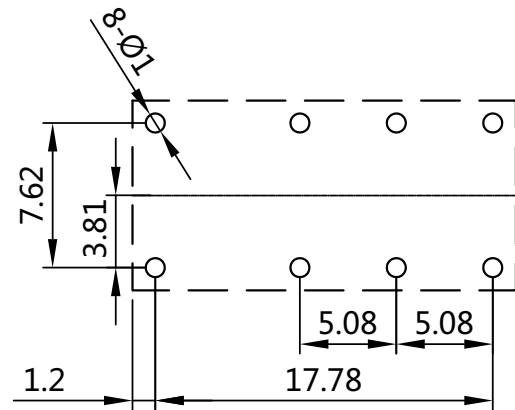
Wiring diagram (bottom view), Mounting hole size (bottom view)

Unit: mm

Wiring diagram (bottom view)

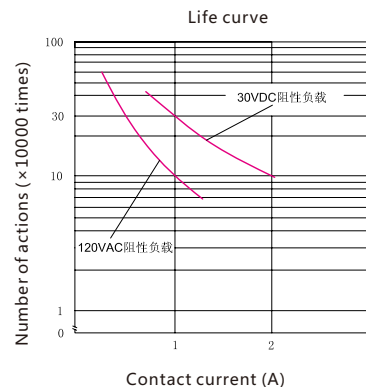
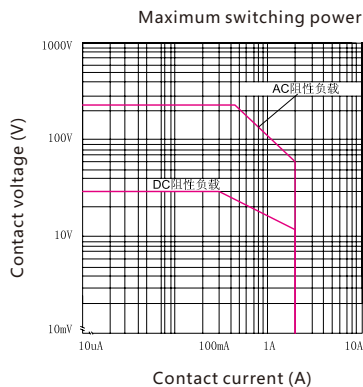


Mounting hole size drawing (bottom view)



Note: The size of the lead terminal is the size before pre-welding; the size tolerance of the mounting hole: ± 0.1 mm.

Performance graph



statement:

This product specification is only for reference when customers use it, and subject to change without notice.

For Gordon, it is impossible to evaluate all the performance parameter requirements of the relay in each specific application field. Therefore, the customer should choose the product that matches it according to the specific use conditions. If you have questions, please contact Gordon for more technical support, but the customer is responsible for product selection.

©Shenzhen Gordon Electronics Co., Ltd. All rights reserved. All rights are reserved by the company.