


特性

- 10A触点切换能力
- 低高度,仅为20.6mm
- 线圈与触点间介质耐压5kV
- 塑封型和预焊剂型可供选择
- 配有多种插座可供选择
- 外形尺寸 : (29.3 × 12.6 × 21)mm

触点参数

型号	GA-1P	GA-2P	GA-2
触点形式	1A,1B,1C	2A,2B,2C	1A,1B,1C
接触电阻	≤100mΩ(1A 6VDC)		
触点材料	银合金	银合金	银合金
触点负载(阻性)	16A 277VAC	8A 277VAC	16A 250VAC
最大切换额定电压	277VAC	277VAC	250VAC
最大切换额定电流	16A	8A	20A
最大切换额定功率	4432VA	2216VA	5000VA
机械耐久性	1,000,000次		
电耐久性(阻性)	100,000次 (1s通9s断)		

性能参数

绝缘电阻	1000MΩ(500VDC)	
介质耐压	线圈与触点间	5000VAC 1min
	触点极间	2500VAC 1min (GA-2P)
	断开触点间	1000VAC 1min
动作时间(额定电压下)	≤20ms	
释放时间(额定电压下)	≤8ms	
抗振动	稳定性	10Hz ~ 55Hz 1.5mm
	强度	10Hz ~ 55Hz 1.5mm
抗冲击	稳定性	10G Min
	强度	100G Min
湿度	5% ~ 85%Rh	
温度范围	-40°C ~ 85°C	
引出端形式	PCB	
重量	约14g	

线圈规格表

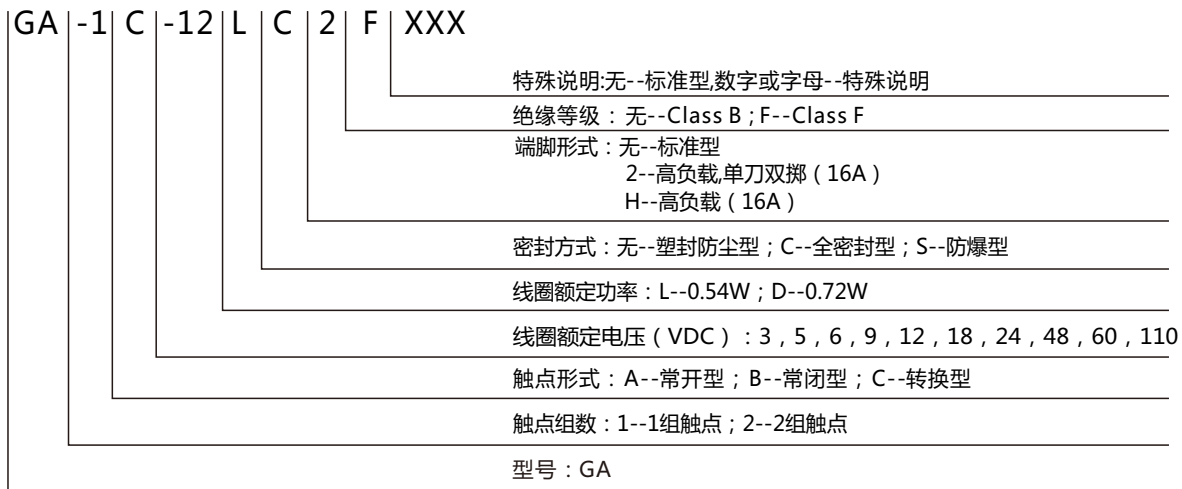
温度：23°C

额定电压 (VDC)	额定电流 ±%(mA)	线圈电阻 ±10%(Ω)	最大连续外加电压	吸合电压 (Max)	释放电压 (Min)	线圈额定功率 (W)
3	180	16.67	额定电压的130%	额定电压的75%	额定电压的10%	0.54
5	108	47				
6	90	66.67				
9	60	150				
12	45	266.67				
18	30	600				
24	22.5	1066.67				
48	11.25	4266.67				
3	240	12.5	额定电压的130%	额定电压的75%	额定电压的10%	0.72
5	144	34.72				
6	120	50				
9	80	112.5				
12	60	200				
18	40	450				
24	30	800				
48	15	3200				

安规认证

认证类别	CQC	TUV	UL
证书号	CQC09002029471	R 50164162	E321783
GA-1P 负载要求	10A 250VAC 1/2HP 125VAC	10A 250VAC cos phi=1 10A 30VDC L/R-0ms	12A 277VAC NO 10A 277VAC 16A 277VAC NO
GA-2P 负载要求	5A 250VAC 1/2HP 125VAC	5A 250VAC cos phi=1 5A 30VDC L/R-0ms	8A 277VAC NO 5A 277VAC
GA-2 负载要求	16A 250VAC	16A 250VAC cos phi=1 16A 30VDC L/R-0ms	20A 250VAC NO 25A 125VAC NO 15A 250VAC 20A 125VAC

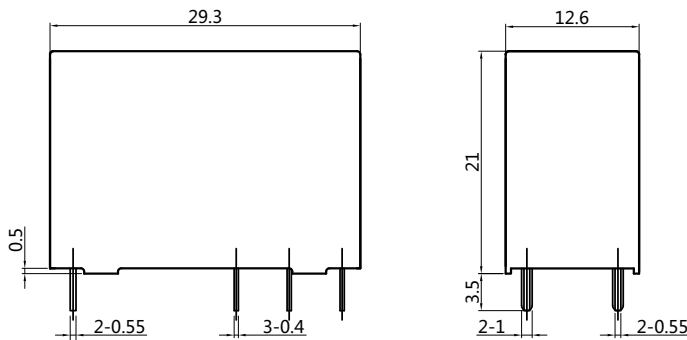
GA 命名规则



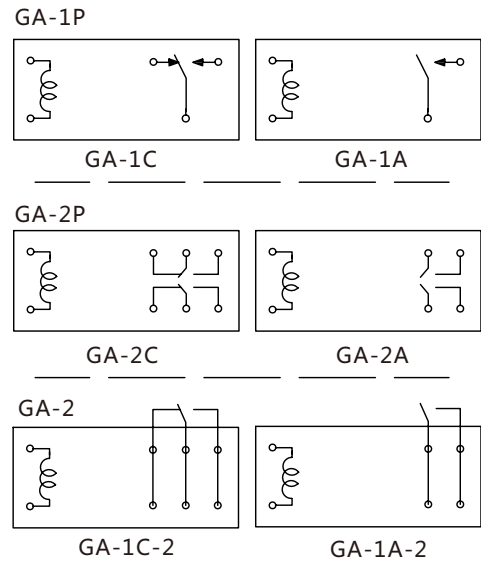
外形图、接线图、安装孔尺寸

单位:mm

外形图

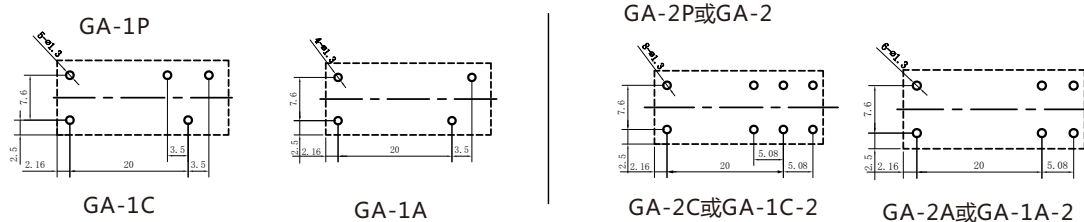


接线图(底视图)



注:产品部分外形尺寸未注尺寸公差,
当外形尺寸 < 1mm, 公差为 ±0.2mm;
当外形尺寸在 1~5mm 之间时, 公差为 ±0.3mm;
当外形尺寸 > 5mm, 公差为 ±0.4mm。

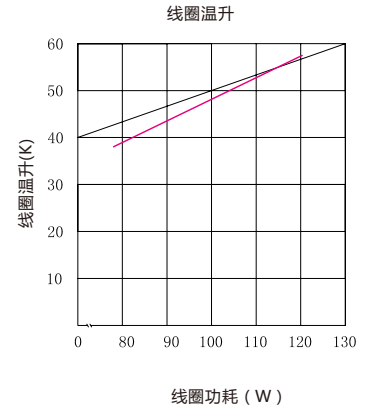
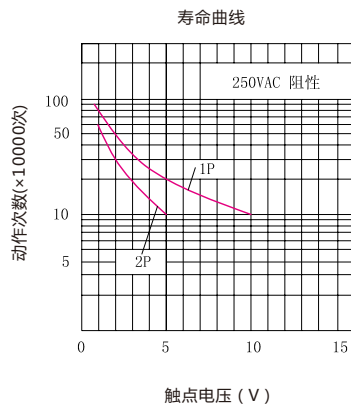
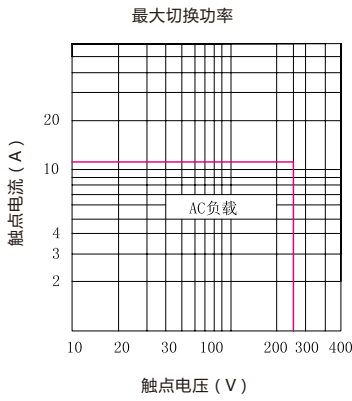
安装孔尺寸图(底视图)



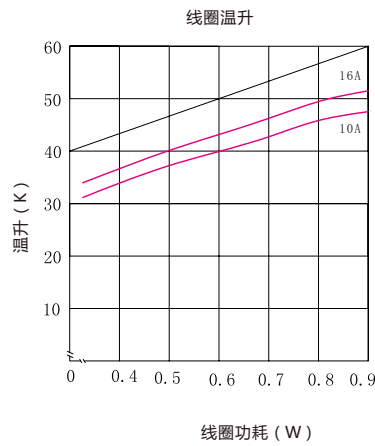
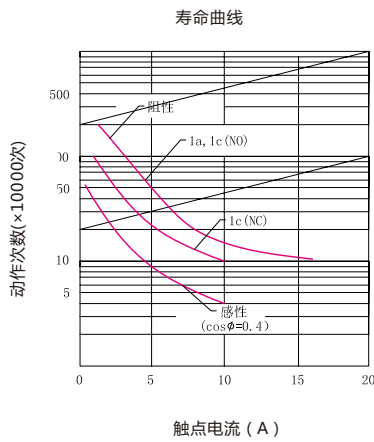
注:引出端子尺寸为预焊前尺寸;安装孔尺寸公差:±0.1mm。

性能曲线图

GA-1pole or GA-2 pole



GA-2



声明:

本产品规格书仅供客户使用时参考,若有更改,恕不另行通知。

对高登而言,不可能评定继电器在每个具体应用领域的性能参数要求,因而客户应该根据具体的使用条件选择与之相配的产品,若有疑问,请与高登联系获取更多的技术支持,但是产品选型责任由客户负责。

©深圳高登电科技股份有限公司版权所有,本公司保留所有权利。



Characteristics

- 10A contact switching capability
- Low height, only 20.6mm
- Dielectric withstand voltage between coil and contact 5kV
- Plastic package type and pre-flux type are available
- Equipped with a variety of sockets to choose from
- Dimensions:(29.3 × 12.6 × 21)mm

Contact parameter

Model	GA-1P	GA-2P	GA-2
Contact form	1A,1B,1C	2A,2B,2C	1A,1B,1C
Contact resistance	≤100mΩ(1A 6VDC)		
Contact material	Silver alloy		
Contact load (Resistance)	16A 277VAC	8A 277VAC	16A 250VAC
Max. Switching Voltage	277VAC	277VAC	250VAC
Max. Switching Current	16A	8A	20A
Max. Switching Power	4432VA	2216VA	5000VA
Mechanical Life	1,000,000 ops.		
Electrical Life (Resistive)	100,000 ops. (1s on 9s off)		

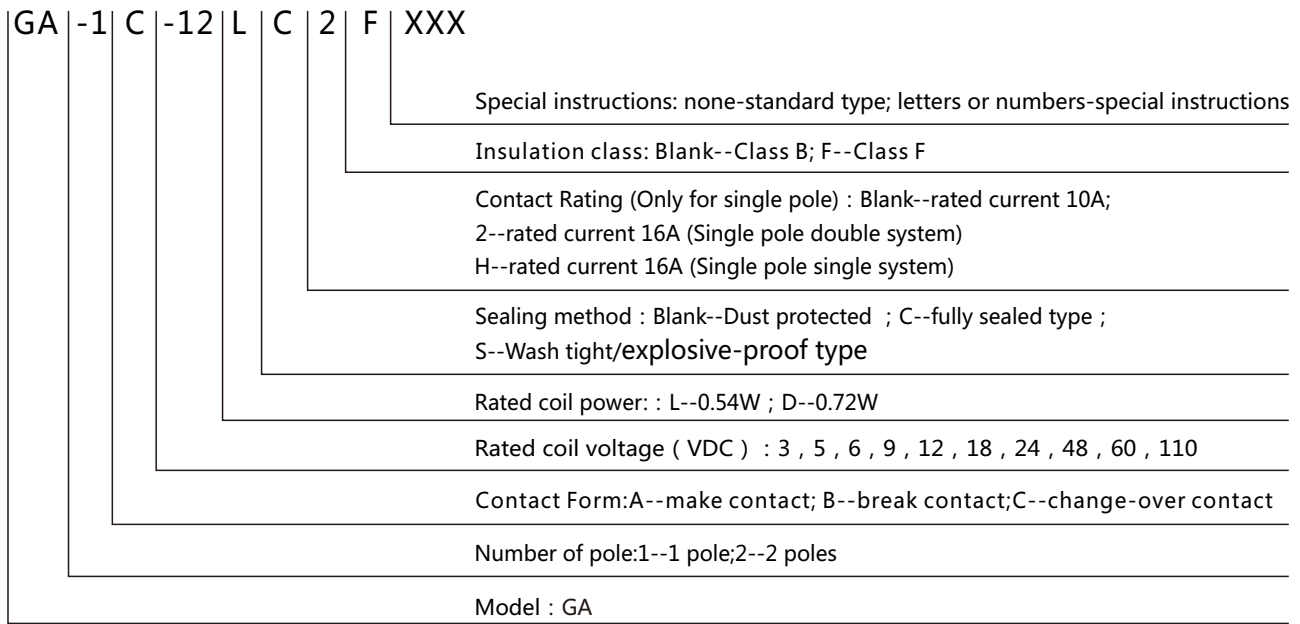
Performance parameter

Insulation resistance	1000MΩ(500VDC)	
Dielectric Strength	Between coil & contacts	5000VAC 1min
	Between contacts & contacts	2500VAC 1min (GA-2P)
	Between open contacts	1000VAC 1min
Operating time (at rated voltage)	≤20ms	
Release time (at rated voltage)	≤8ms	
Vibration resistant	Malfunction	10Hz ~ 55Hz 1.5mm
	Durability	10Hz ~ 55Hz 1.5mm
Impact resistance	Malfunction	10G Min
	Durability	100G Min
Humidity	5% ~ 85%Rh	
Operating Condition	-40°C ~ 85°C	
Terminal Type	PCB	
weight	About 14g	

Coil parameter			Temperature: 23°C			
Nominal Voltage (VDC)	Rated current ±%(mA)	Coil resistance ±10%(Ω)	Maximum continuous applied voltage	Pull-in voltage (Max)	Release voltage (Min)	Coil rated power (W)
3	180	16.67	130% of rated voltage	75% of rated voltage	10% of rated voltage	0.54
5	108	47				
6	90	66.67				
9	60	150				
12	45	266.67				
18	30	600				
24	22.5	1066.67				
48	11.25	4266.67				
3	240	12.5	130% of rated voltage	75% of rated voltage	10% of rated voltage	0.72
5	144	34.72				
6	120	50				
9	80	112.5				
12	60	200				
18	40	450				
24	30	800				
48	15	3200				

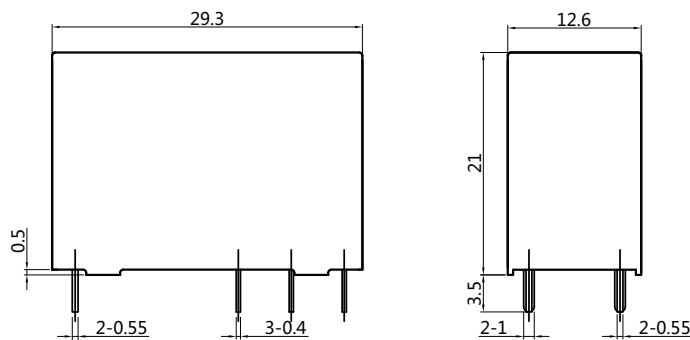
Safety certification			
Certification category	CQC	TUV	UL
Certificate No	CQC09002029471	R 50164162	E321783
GA-1P load requirement	10A 250VAC 1/2HP 125VAC	10A 250VAC cos phi=1 10A 30VDC L/R-0ms	12A 277VAC NO 10A 277VAC 16A 277VAC NO
GA-2P load requirement	5A 250VAC 1/2HP 125VAC	5A 250VAC cos phi=1 5A 30VDC L/R-0ms	8A 277VAC NO 5A 277VAC
GA-2 load requirement	16A 250VAC	16A 250VAC cos phi=1 16A 30VDC L/R-0ms	20A 250VAC NO 25A 125VAC NO 15A 250VAC 20A 125VAC

GA Naming rules



Outline drawing

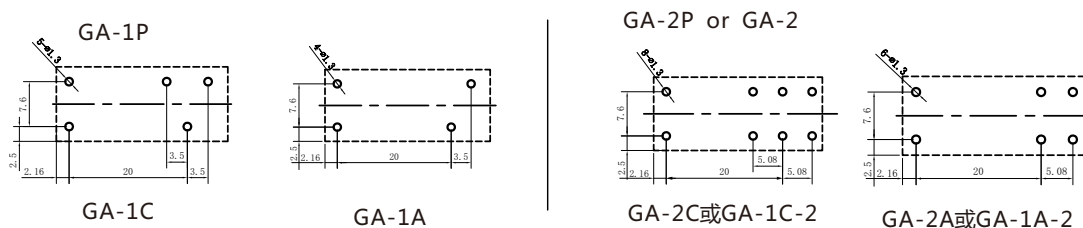
Unit: mm



Note: Part of the product has no tolerances on the external dimensions.
When the external dimensions are less than 1mm, the tolerance is $\pm 0.2\text{mm}$;
When the external dimension is between 1~5mm, the tolerance is $\pm 0.3\text{mm}$;
When the external dimension $> 5\text{mm}$, the tolerance is $\pm 0.4\text{mm}$.

Mounting hole size (bottom view)

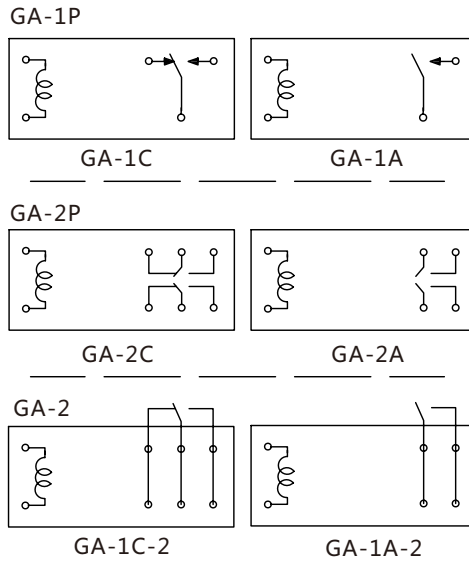
Unit: mm



Note: The size of the lead terminal is the size before pre-welding;
the size tolerance of the mounting hole: $\pm 0.1\text{mm}$.

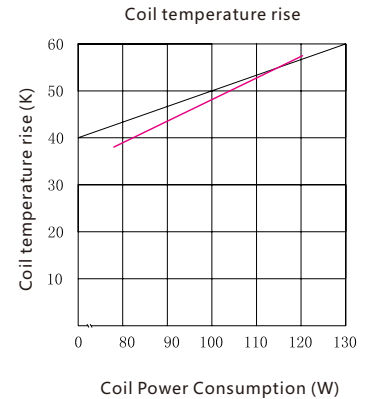
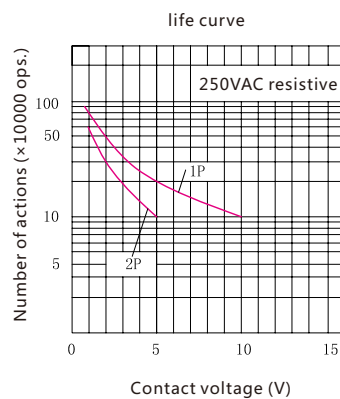
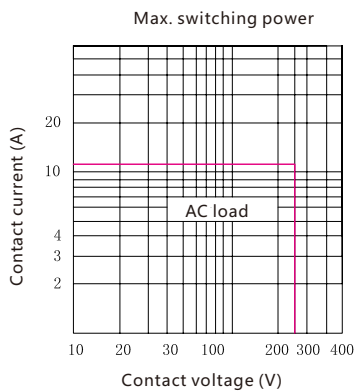
Wiring diagram (bottom view)

Unit: mm

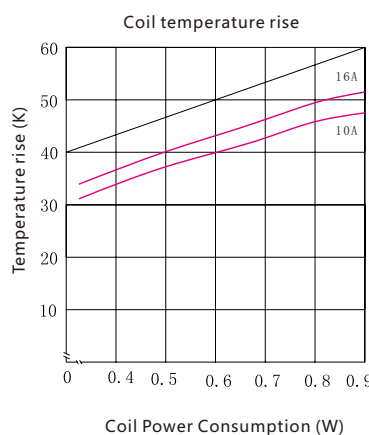
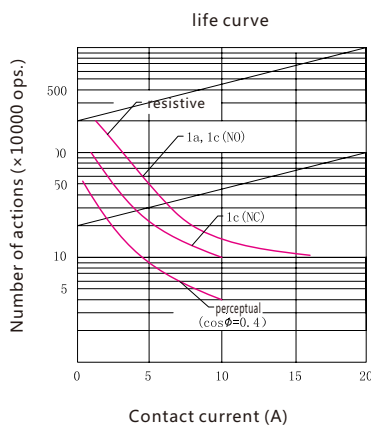


Performance graph

GA-1pole or GA-2 pole



GA-2



statement:

This product specification is only for reference when customers use it, and subject to change without notice.

For Gordon, it is impossible to evaluate all the performance parameter requirements of the relay in each specific application field. Therefore, the customer should choose the product that matches it according to the specific use conditions. If you have questions, please contact Gordon for more technical support, but the customer is responsible for product selection.

©Shenzhen Gordon Electronics Co., Ltd. All rights reserved. All rights are reserved by the company.