


特性

- 两组40A触点切换能力
- 两组40A主触点+一组辅助触点
- 触点间隙:3.6mm (主触点)
1.0mm (辅助触点)
辅助触点: Min 0.5mm (当主触点粘死时)
- 适用于太阳能光伏发电用逆变器、交流充电桩
- 外形尺寸:(36×30×40)mm

触点参数

触点形式		2A	2A1B
接触电阻	主触点	≤10mΩ(20A 6VDC)	
	辅助触点		≤100mΩ(1A 6VDC)
触点材料	主触点	银合金	
	辅助触点	银合金	
触点负载(阻性)	主触点	40A 277VAC	
	辅助触点		1A 277VAC,1A 30VDC
最大切换额定电压	主触点	480VAC	
	辅助触点		277VAC,30VDC
最大切换额定电流	主触点	40A	
	辅助触点		1A
最大切换额定功率	主触点	11080VA	
	辅助触点		277VA/30W
机械耐久性		1,000,000次	
电耐久性(阻性)		1NO:35A 277VAC,85°C,30000次(1s通9s断) ; 1NO:40A 277VAC,85°C,10000次(1s通9s断) ; 2NO:接通10A 载流40A 断开10A 277VAC,85°C,50000次(1s通9s断)	
			NC:1A 277VAC/30VDC,85°C, 100000次,(1s通9s断)

性能参数

触点形式		2A	2A1B
绝缘电阻 ⁽¹⁾		1000MΩ(500VDC)	
介质耐压	断开主触点间	2000VAC 1min	
	主触点与辅助触点间		2000VAC 1min
	主触点组间	2000VAC 1min	
	线圈与主触点间	5000VAC 1min	
	线圈与辅助触点间		2000VAC 1min
	断开的辅助触点组间		1000VAC 1min
动作时间(额定电压下)		≤30ms	
释放时间(额定电压下)		≤10ms	
振动		10Hz ~ 55Hz 1.0mm 双振幅	
冲击	稳定性	10G	
	强度	100G	
线圈温升		≤70K (触点负载40A,60% 额定电压保持, 环境温度85°C)	
湿度		5% ~ 85%Rh	
温度范围		-40°C ~ 85°C	
引出端形式		印制板式	
重量		约66g	

备注：(1) 上述值为初始值，吸合/释放时间不包含触点弹跳时间。

线圈规格表
温度：23°C

额定电压 (VDC)	额定电流 ±%(mA)	线圈电阻 ±10%(Ω)	最大连续 外加电压	吸合电压 (Max)	释放电压 (Min)	线圈额定功率 (W)
6	313.4	19	额定电压 的110%	额定电压 的75%	额定电压 的10%	1.88
9	208.9	43				
12	156.7	76.6				
24	78.4	306				
48	39	1225.6				

安规认证

认证类别	
证书号	
负载要求	10A 277VAC 35A 277VAC 40A 277VAC

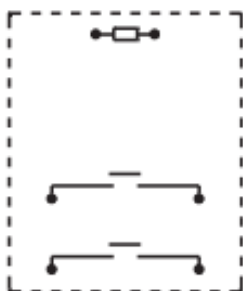
G97 命名规则

G97	-2A	-12	D	C	XXX
特殊说明：无--标准型；字母或数字--特殊说明					
密封方式：无--塑封防尘；C--全密封型					
线圈功率：D--1.88W					
线圈额定电压：(VDC)：6,9,12,24,48					
触点形式：2A--2组常开型；2A1B--2组常开1组常闭型					
型号：G97					

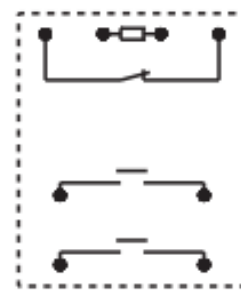
接线图（底视图）

单位:mm

2A



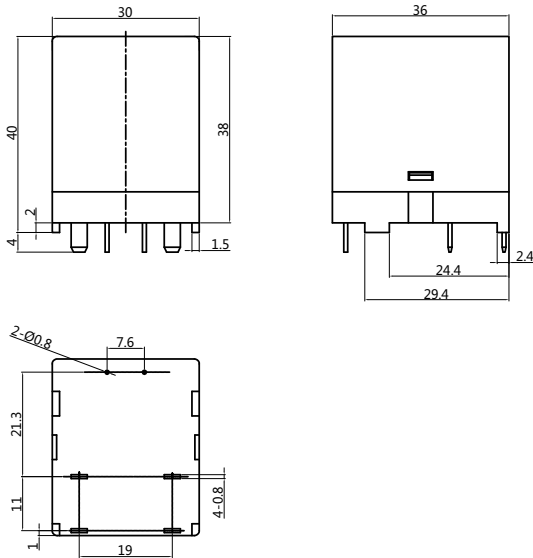
2A1B



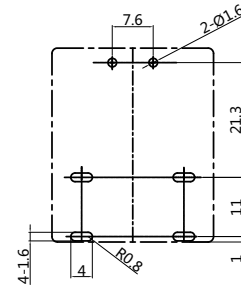
外形图、安装孔尺寸

单位:mm

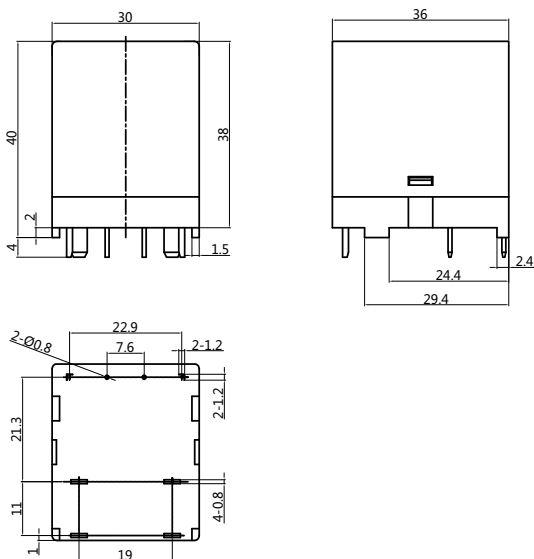
2A



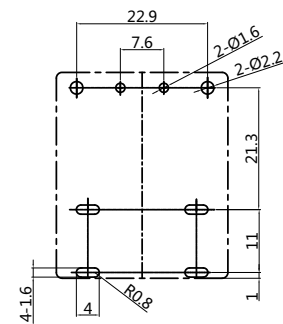
安装尺寸(底视图)



2A1B



安装尺寸(底视图)



注：产品部分外形尺寸未注尺寸公差，
当外形尺寸 < 1mm，公差为±0.2mm；
当外形尺寸在1~5mm之间时，
公差为±0.3mm；当外形尺寸 > 5mm，
公差为±0.4mm。

注：引出端子尺寸为预焊前尺寸；
安装孔尺寸公差：±0.1mm。

声明:

本产品规格书仅供客户使用时参考,若有更改,恕不另行通知。

对高登而言,不可能评定继电器在每个具体应用领域的所有性能参数要求,因而客户应该根据具体的使用条件选择与之相配的产品,若有疑问,请与高登联系获取更多的技术支持,但是产品选型责权由客户负责。

©深圳高登电科股份有限公司版权所有,本公司保留所有权利。


Characteristics

- Two sets of 40A contact switching capability
- Two sets of 40A main contacts + one set of auxiliary contacts
- Contact gap: 3.6mm (main contact)
1.0mm (auxiliary contact)
Auxiliary contact: Min 0.5mm (when the main contact is stuck)
- Suitable for inverters and AC charging piles for solar photovoltaic power generation
- Sizes:(36× 30×40)mm

Contact parameter

Contact form		2A	2A1B
Contact resistance	main contact	≤10mΩ(20A 6VDC)	
	auxiliary contact		≤100mΩ(1A 6VDC)
Contact material	main contact	Silver alloy	
	auxiliary contact	Silver alloy	
Contact Load (Resistive)	main contact	40A 277VAC	
	auxiliary contact		1A 277VAC,1A 30VDC
Max. Switching Voltage	main contact	480VAC	
	auxiliary contact		277VAC,30VDC
Max. Switching Current	main contact	40A	
	auxiliary contact		1A
Max. Switching Power	main contact	11080VA	
	auxiliary contact		277VA/30W
Mechanical Life	1,000,000次		
Electrical Life (Resistive)	1NO: 35A 277VAC, 85°C, 30000 times (1s on and 9s off); 1NO: 40A 277VAC, 85°C, 10000 times (1s on and 9s off); 2NO: Turn on 10A, carry 40A, turn off 10A, 277VAC, 85°C, 50000 times (1s on and 9s off)		
		NC: 1A 277VAC/30VDC, 85°C, 100000 times, (1s on and 9s off)	

Performance parameter

Contact form		2A	2A1B
Insulation resistance ⁽¹⁾		1000MΩ(500VDC)	
Dielectric Strength	Disconnect between main contacts	2000VAC 1min	
	Between main contact & auxiliary contact		2000VAC 1min
	Between main contact groups	2000VAC 1min	
	Between coil & main contact	5000VAC 1min	
	Between coil & auxiliary contact		2000VAC 1min
	Auxiliary contact set open		1000VAC 1min
Operating time (at rated voltage)		≤30ms	
Release time (at rated voltage)		≤10ms	
vibration		10Hz ~ 55Hz 1.0mm double amplitude	
Impact resistance	Malfunction	10G	
	Durability	100G	
Coil temperature rise		≤70K (contact load 40A, 60% rated voltage hold, ambient temperature 85°C)	
Humidity		5% ~ 85%Rh	
Operating Condition		-40°C ~ 85°C	
Terminal Type		PCB	
weight		About 66g	

Note: (1) The above values are initial values, and the pull-in/release time does not include the contact bounce time.

Coil parameter

Temperature: 23°C

Nominal Voltage (VDC)	Rated current ±%(mA)	Coil resistance ±10%(Ω)	Maximum continuous applied voltage	Pull-in voltage (Max)	Release voltage (Min)	Coil rated power (W)
6	313.4	19	额定电压的110%	额定电压的75%	额定电压的10%	1.88
9	208.9	43				
12	156.7	76.6				
24	78.4	306				
48	39	1225.6				

Safety certification

Certification category	_____
Certificate No	_____
Load requirement	10A 277VAC 35A 277VAC 40A 277VAC

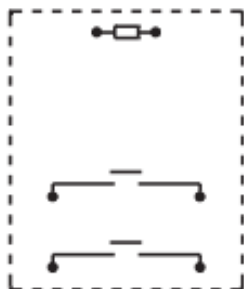
G97 Naming rules

G97	-2A	-12	D	C	XXX
Special instructions: Blank--standard type; letters or numbers-special instructions					
Sealing method : Blank--Dust protected (RT I) ; C--Fully sealed (RT III)					
Rated coil power : D--1.88W					
Rated coil voltage (VDC) : 6,9,12,24,48					
Contact Form: 2A--2 poles make contact ;2A1B--2 poles make contact 1 pole break contact;					
Model: G97					

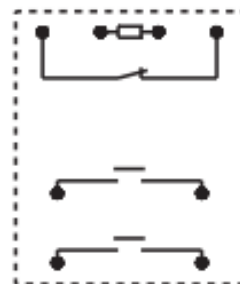
Wiring diagram (bottom view)

Unit: mm

2A



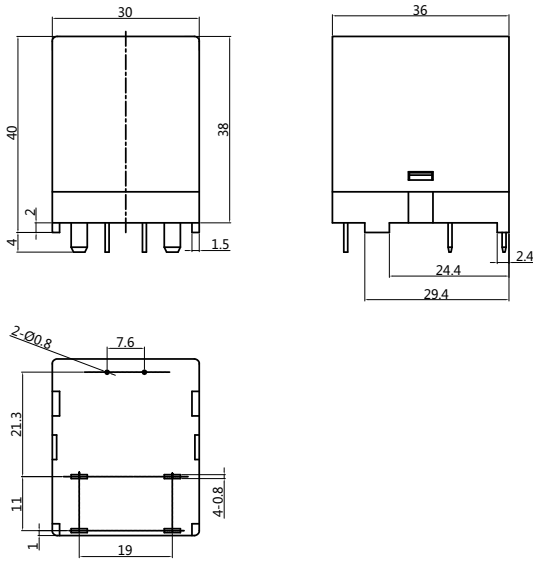
2A1B



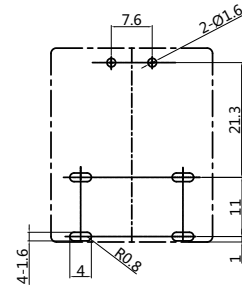
Outline drawing、PCB Layout (bottom view)

Unit: mm

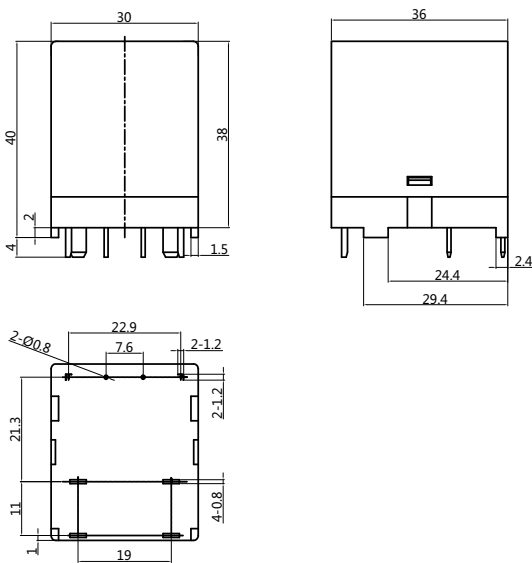
2A



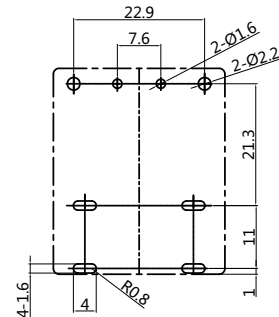
PCB Layout (bottom view)



2A1B



PCB Layout (bottom view)



Note: The size of the lead terminal is the size before pre-welding; the size tolerance of the mounting hole: $\pm 0.1\text{mm}$.

Note: Part of the product has no tolerances on the external dimensions.

When the external dimensions are less than 1mm, the tolerance is $\pm 0.2\text{mm}$;

When the external dimension is between 1~5mm, the tolerance is $\pm 0.3\text{mm}$;

When the external dimension $> 5\text{mm}$, the tolerance is $\pm 0.4\text{mm}$.

statement:

This product specification is only for reference when customers use it, and subject to change without notice.

For Golden, it is impossible to evaluate all the performance parameter requirements of the relay in each specific application field. Therefore, the customer should choose the product that matches it according to the specific use conditions. If you have questions, please contact Golden for more technical support, but the customer is responsible for product selection.

©Shenzhen Golden Electronics Co., Ltd. All rights reserved. All rights are reserved by the company.