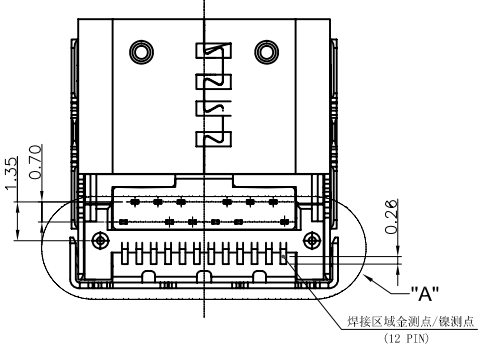
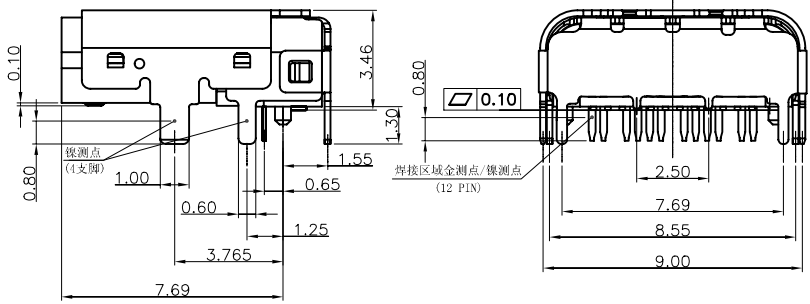
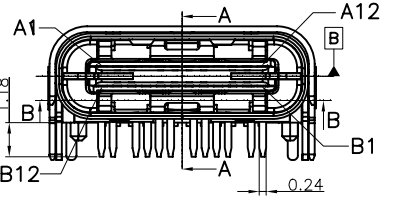
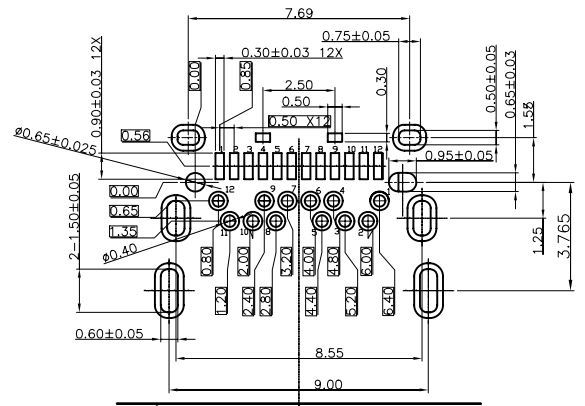
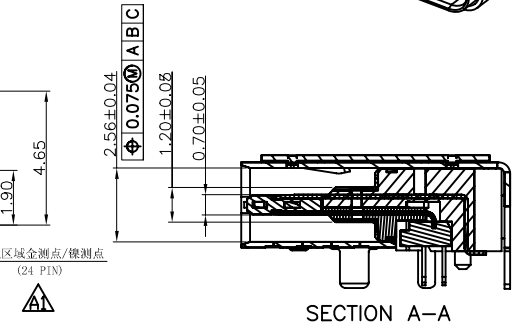
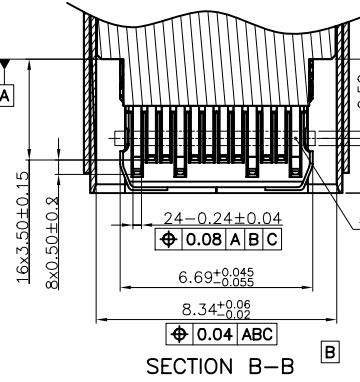
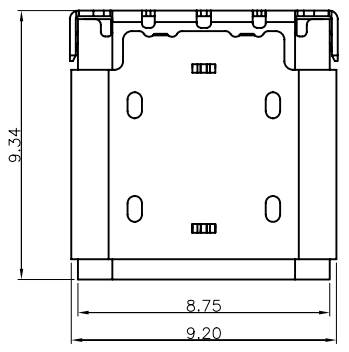
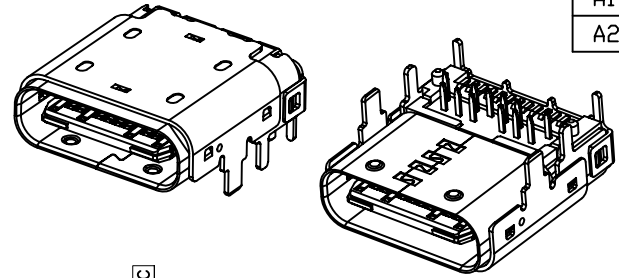
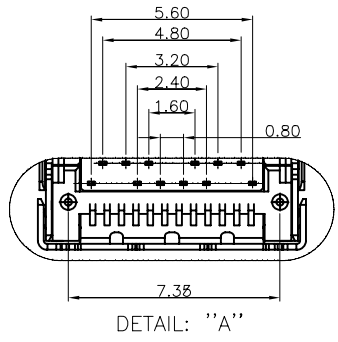


REV	ECN No.	DATE	REMARK
A0	NEW	2016.01.25	新发行
A1	ECN1606012	2016.06.30	修正材料表描述&增加电镀测点
A2	ECN1701005	2017.01.08	变更新料号



NOTES:
SPECIFICATION:
 1. CURRENT RATING: 3.0A MAX
 2. VOLTAGE: 100 VAC
 3. TEMPERATURE RANGE: -30 °C ~ 85 °C
 4. CONTACT RESISTANCE: 40 MILLIONHM MAX
 5. INSULATION RESISTANCE: 100 MEGOHMS MIN.
 6. INSERTION FORCE : 5N~20N
 7. UNMATING FORCE: 8N~20N
 8. DURABILITY: 10,000 CYCLE \times



PIN	SIGNAL NAME	PIN	SIGNAL NAME
A1	GND	B12	GND
A2	SSTXP1	B11	SSRXN1
A3	SSTXN1	B10	SSRXN1
A4	VBUS	B9	VBUS
A5	CC1	B8	SBU2
A6	DP1	B7	DN2
A7	DN1	B6	DP2
A8	SBU1	B5	CC2
A9	VBUS	B4	VBUS
A10	SSRXN2	B3	SSTXN2
A11	SSRXP2	B2	SSTXP2
A12	GND	B1	GND

TYPE:	Z-CF013SLB15R-A-01	2	CONTACT	C1814-H T=0.12mm	AU/NI PLATING ON CONTACT AREA 6/7 14" PLATING ON SOLDER TABLE 50u" MIN UNDERPLATING OVERALL	1SET
	Z-CF013SLB14R-A-01	2	CONTACT	C1814-H T=0.12mm	AU/NI PLATING ON CONTACT AREA 6/7 14" PLATING ON SOLDER TABLE 50u" MIN UNDERPLATING OVERALL	1SET
	Z-CF013SLB11R-A-01	6	TOP SHELL	SUS304 1/2H T=0.20mm	NICKEL 50u" MIN PLATING	1PCS
		5	SHELL	SUS304 1/2H T=0.20mm	NICKEL 50u" MIN PLATING	1PCS
		4	SPRING	SUS301 1/2H T=0.10mm	---	1PCS
		3	SHIELDING PLATE	SUS301 3/4H T=0.20mm	---	1PCS
		2	CONTACT	C1814-H T=0.12mm	6/7 14" PLATING ON CONTACT AREA; NI 50u" MIN UNDERPLATING OVERALL	1SET
		1	HOUSING	LCP	BLACK	1PCS
		PART No.	NO.	DESCRIPTION	MATERIAL	REMARKS
		NO.				QTY

MATERIAL NO.:
Z-CF013XXXXXX-X-01

REVIEW TABLE FOR DETAILS

QUALITY SYMBOL	GENERAL TOLERANCES (UNLESS SPECIFIED)
0	x.xxxxx ±---
0	x.xxx ±0.10
0	x.xx ±0.20
0	x.x ±0.30
0	ANGULAR ±---

THIS DRAWING CONTAINS INFORMATION THAT IS PROPRIETARY TO ZDT TECHNOLOGY. AND SHOULD NOT BE USED WITHOUT WRITTEN PERMISSION

深圳扬讯电子有限公司

USB C F TYPE DIP+SMT带上铁壳 CONN

DRAWN BY Sam DATE 2017.01.05
 CHECKED BY Allen DATE 2017.01.05
 APPROVED BY Jacke DATE 2017.01.05

DOCUMENT NO. ZDT-CF013 SHEET NO. 1 OF 1

DIMENSION STYLE	DESIGN UNITS	SCALE	THIRD ANGLE PROJECTION
MM ONLY	METRIC	5:1	THIRD ANGLE PROJECTION