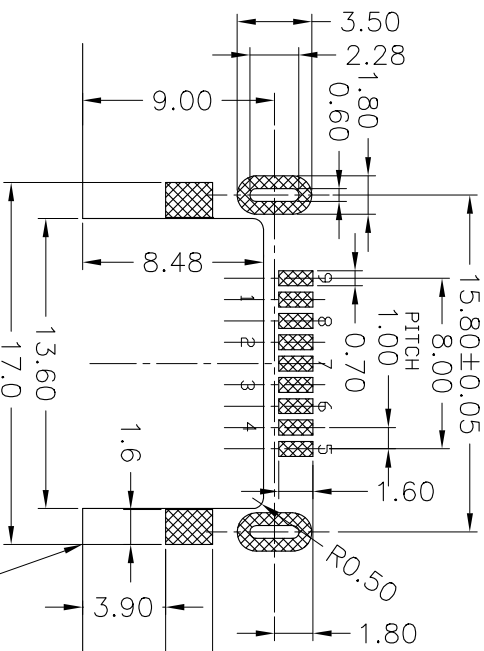
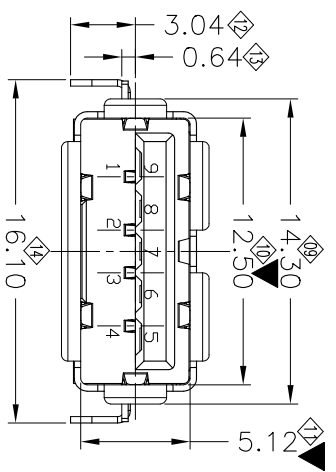
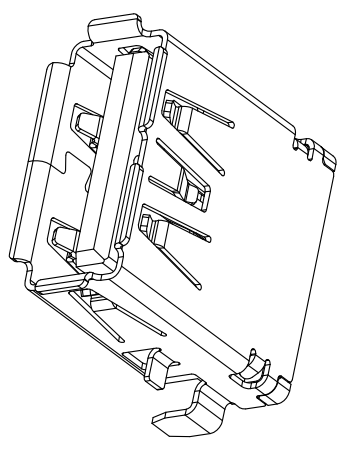
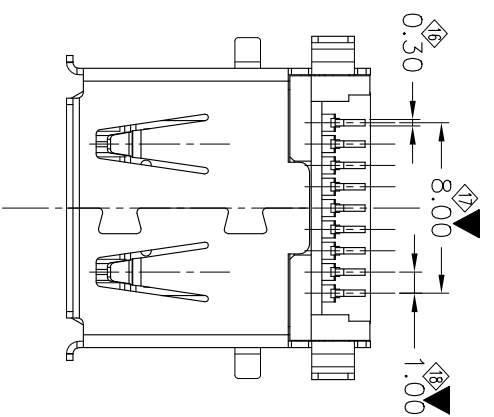
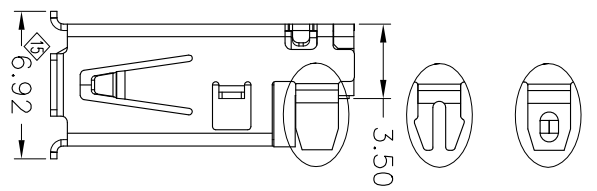
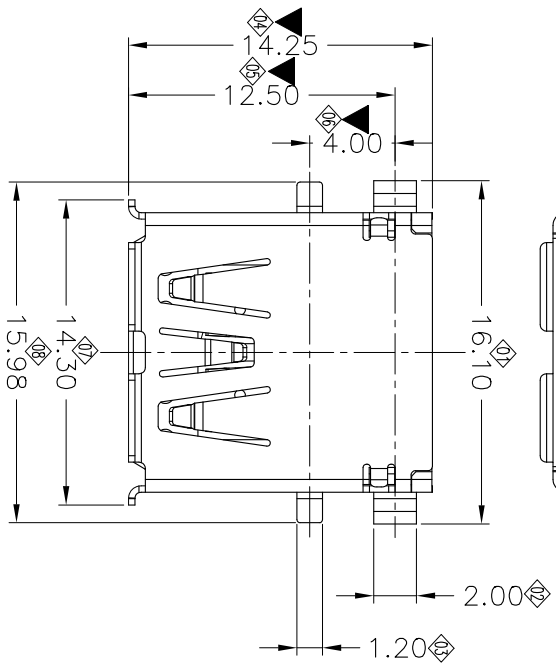
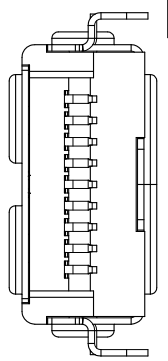


REV/	ECON.	NO.	LOCATIONS	DESCRIPTION	DATE	DESIGN
A02	EN10.11.06		②	變更料號發行	10.10.22	LUCKY



RECOMMENDED PCB LAYOUT
PCB EDGE

- NOTES:
- MATERIAL:
 - 1.1 HOUSING: LCP UJ94V-0
 - 1.2 CONTACT: BRASS(T=0.20mm)
 - 1.3 SHELL: BRASS(T=0.30mm)
 - ELECTRICAL CHARACTERISTICS:
 - 2.1 CONTACT RESISTANCE: 30mΩ MAXIMUM
 - 2.2 CONTACT CURRENT RATING: 1.5A
 - 2.3 DIELECTRIC WITHSTANDING VOLTAGE: 500 V R.M.S.
 - 2.4 INSULATION RESISTANCE: 1000 MEGOHMS MIN.
 - 2.5 OPERATING TEMPERATURE: -40°C~85°C
 - MECHANICAL CHARACTERISTICS:
 - 3.1 MATING FORCE: 3.57kg MAX.
 - 3.2 UNMATED FORCE: 1.02kg MIN.
 - 3.3 DURABILITY: MANDATORY: 5000 CYCLES
 - PLATING
 - 4.1 TERMINAL: GOLD FLASH ALL OVER 50U" MIN. NICKEL AND 1U" MIN. TIN ALL OVER 50U" MIN NICKEL ON SOLDER AREA.
 - 4.2 SHELL: 150U" MIN NICKEL PLATING OVERALL.

Pin NUMBER	SIGNAL NAME
1	VBUS
2	D-
3	D+
4	GND
5	Stda_SSTX-
6	Stda_SSTX+
7	GND_DRAIN
8	Stda_SSRX-
9	Stda_SSRX+

AA F 8 009 XX X-005

TYPE: M: MALE F: FEMALE

RoHS COMPLIANT

Color:

- 1: BLACK
- 2: WHITE
- 3: BLUE
- 4: GREEN
- 5: RED
- 6: YELLOW

Contact Finish:

- 010: 10u"Gold
- 015: 15u"Gold
- 030: 30u"Gold

Pin NO.: 005: 5P Pin

THIRD ANGLE PROJECTION	TOLERANCES UNLESS OTHERWISE SPECIFIED:	DATE	SCALE	SIZE	DESIGN UNITS	SHEET	REV	P/N NO.
	0 PLG ± 0.30 2 PLG ± 0.25 3 PLG ± 0.20	10.10.22	1:1	A4	METRIC	1	A02	AAF8009XXX-005
QUALITY SYMBOLS	ANGULARITY: ±5°	ITEM	USB3.0 AF SMT 沉板式					
MUST IN QIP SHOULD BE FAIL			深圳扬讯电子有限公司					
			MODEL					