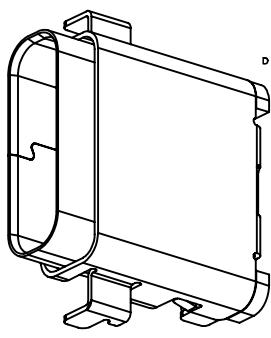
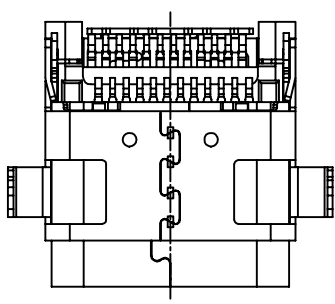
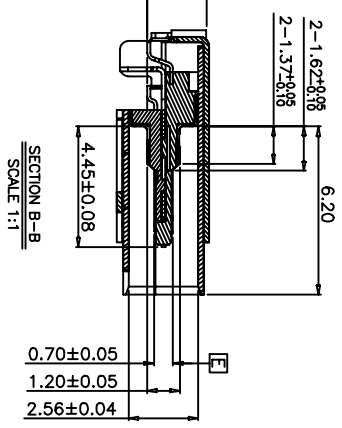
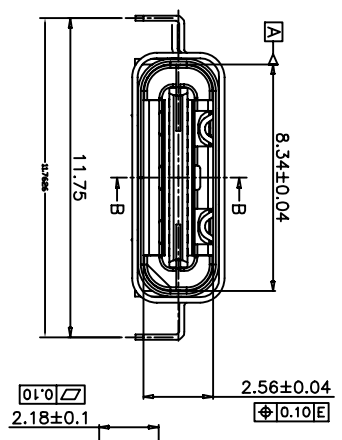
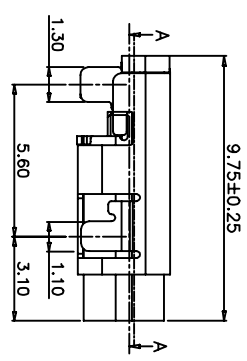
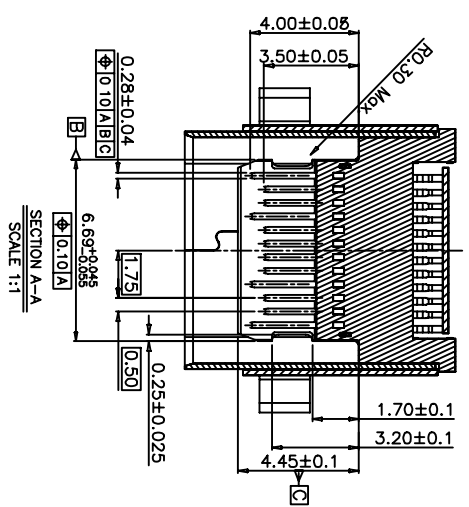
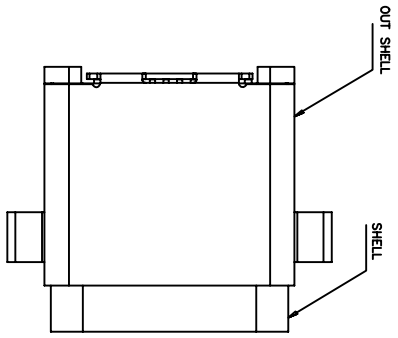


REV.	ECN. NO.	APPD.
A	/	Hexing



TOLERANCE UNLESS OTHERWISE SPECIFIED	OTHERWISE SPECIFIED
XXX ±0.10	X' ±3
XX ±0.20	.XX' ±2
X ±0.30	

深圳扬讯电子有限公司

PART NAME: USB 3.1 C TYPE

APPROVED	PART No:	UNIT:	SCALE	SHEET	REV.
CHECKED		mm	1:1	10F-1	A
DRAWN	PROJECTION:				
DATE					