

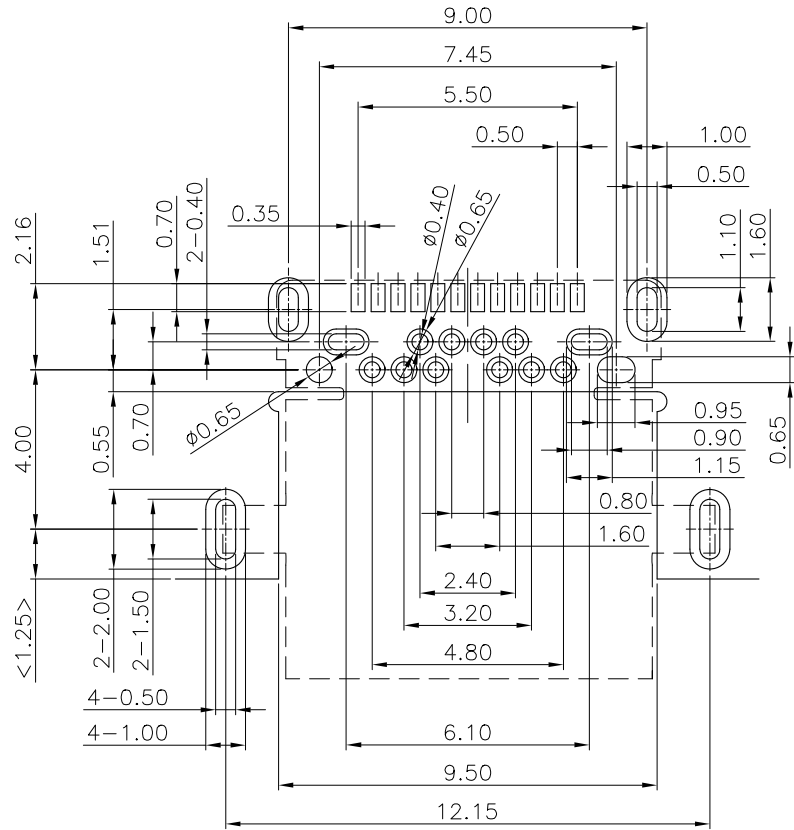
Pin	Signal Name	Mating Sequence	Pin	Signal Name	Mating Sequence
A1	GND	First	B12	GND	First
A2	SSTXp1	Second	B11	SSRXp1	Second
A3	SSTXn1	Second	B10	SSRXn1	Second
A4	V _{BUS}	First	B9	V _{BUS}	First
A5	CC1	Second	B8	SBU2	Second
A6	Dp1	Second	B7	Dn2	Second
A7	Dn1	Second	B6	Dp2	Second
A8	SBU1	Second	B5	CC2	Second
A9	V _{BUS}	First	B4	V _{BUS}	First
A10	SSRXn2	Second	B3	SSTXn2	Second
A11	SSRXp2	Second	B2	SSTXp2	Second
A12	GND	First	B1	GND	First
SHELL	GND		SHELL	GND	

NOTE:
 1. MATERIAL:
 1.1 INSULATOR: HIGH TEMPERATURE PLASTIC UL 94 V-0;
 1.2 CONTACT: COPPER ALLOY(T=0.15mm)
 1.3 SHELL: STAINLESS STEEL(T=0.20mm)
 2. ELECTRICAL CHARACTERISTICS:
 2.1 CONTACT RESISTANCE: 40mΩ Max FOR INITIAL. 50mΩ CHANGE AFTER TEST. MEASURE AT 20mV, 100mA.
 2.2 CONTACT CURRENT RATING: 5A FOR V_{bus} PIN; 1.25A FOR V_{CONN} PIN.
 2.3 DIELECTRIC WITHSTANDING VOLTAGE: 100V AC R.M.S.
 2.4 INSULATION RESISTANCE 100MΩ Min
 2.5 OPERATING TEMPERATURE: -40°C ~ 85°C
 3 MECHANICAL CHARACTERISTICS:
 3.1 MATING FORCE: 5~20 N.
 3.2 UNMATED FORCE: 8~20N AFTER TEST
 3.3 DURABILITY: 10,000 CYCLES
 4. PLATING
 4.1 TERMINAL CONTACT: (SEE TAB) GOLD PLATING ALL OVER 50u" Min NICKEL AND 80u" Min Tin ALL OVER 50u" Min NICKEL ON SOLDER AREA
 4.2 SHELL: 50u" Min. NICKEL ALL OVER,

▼ = Places	TOLERANCES UNLESS		深圳扬讯电子有限公司		
DIM NO. Ⓢ	X. ± 0.50	X° ± 3'			
SCALE: FIT	.X ± 0.30	.X° ± 2'	CHECKED:	DATE:	
	.XX ± 0.20	.XX° ± 1'	USB 3.1 C TYPE Female CL0.29 H2.0mm DIP TYPE		
	.XXX ± 0.10	.XXX° ± 0.5'	PART NO: _____ SIZE: A4		
			APPROVED:	DATE:	DWG NO: _____ REV: A

ECN. NO	A	14.10.27	NEW RELEASE	Andy	Kim	SHEET: 1 OF 3
REV			DESCRIPTION	CHANGED	APPROVED	UNIT: mm

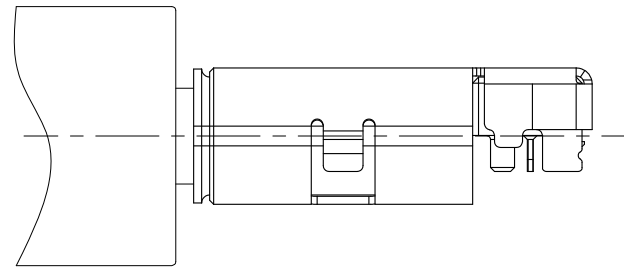
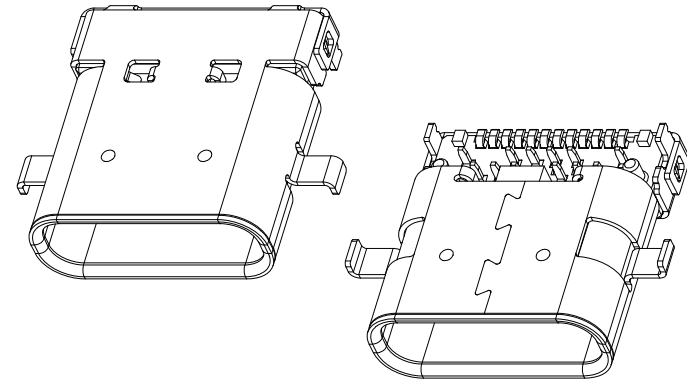
RoHS Compliant



RECOMMEND P.C.B LAYOUT (COMPONENT SIDE)

TOLERANCE FOR PCB LAYOUT IS ± 0.05

KEEP OUT AREA



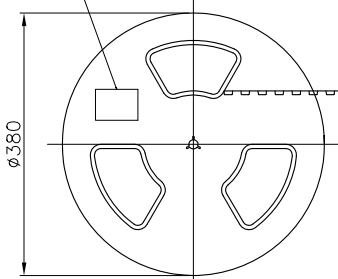
▼ = Places	TOLERANCES UNLESS		深圳扬讯电子有限公司 DESIGN: <i>Andy</i> DATE: 2014.10.27 CHECKED: DATE:	
DIM. NO. Ⓢ	X. ± 0.50	X° $\pm 3'$		
SCALE: FIT	.X ± 0.30	.X° $\pm 2'$	APPROVED: DATE:	PART NO: A32-0XP5-X1X SIZE: A4
SHEET: 2 OF 3	.XX ± 0.20	.XX° $\pm 1'$	UNIT: mm	DWG NO: A32-0XP5-X1X REV: A
	.XXX ± 0.10	.XXX° $\pm 0.5'$		

—	A	14.10.27	NEW RELEASE	<i>Andy</i>	<i>Kim</i>
ECN. NO	REV	DATE	DESCRIPTION	CHANGED	APPROVED

RoHS Compliant

38.4
32.4

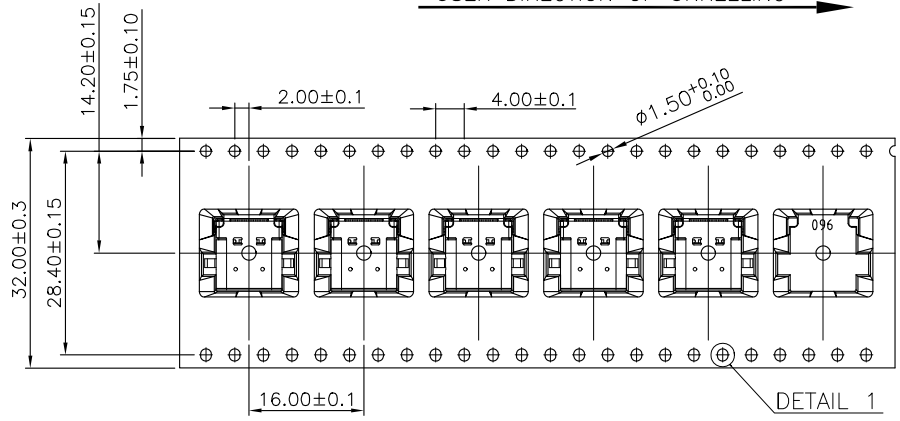
LABEL



400 MIN. PEELING ANGLE 165° ~ 180°

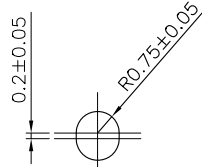
ABOUT 160 MM LONG UNLOADED SECTION PRODUCT LOADING SECTION ABOUT 160 MM LONG UNLOADED SECTION

USER DIRECTION OF UNREELING

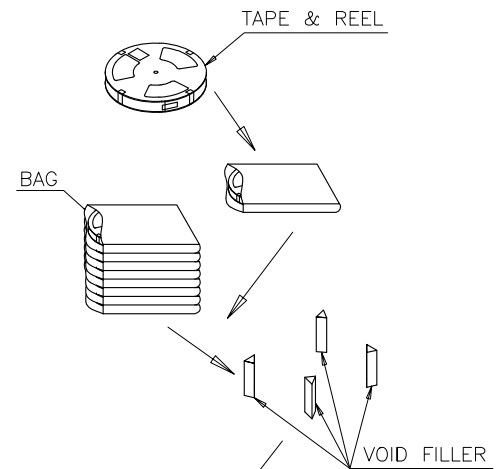


3.80±0.1

DETAIL 1



DETAIL 1
4:1



INNER CARTON DIMENSIONS:
390*390*310

BOX DIMENSIONS:
405*405*330

NOTE:

1.MATERIAL:

- BOX: FIBREBOARD, CORRUGATED, DOUBLE WALL.
- TAPE: POLYSTYRENES, HEAT-RESISTANT TEMPERATURE: 120°C, BLACK COLOR.
- REEL: POLYSTYRENES, HEAT-RESISTANT TEMPERATURE: 70°C, BLUE COLOR.
- BAG: POLYETHYLENE, HEAT-RESISTANT TEMPERATURE: 100°C.

2.PEELING STRENGTH: 0.1 ~ 1.3 N (10 ~ 130 GRAMS)

3.PEELING SPEED: 300 mm/min.

4.EACH BAG SHALL BE INCLUDED DESICCANT.

—	A	14.10.27	NEW RELEASE	Andy	Kim
ECN. NO	REV	DATE	DESCRIPTION	CHANGED	APPROVED

▼ = Places	TOLERANCES UNLESS	
DIM NO. Ⓢ	X. ± 0.50	X° ± 3'
SCALE: FIT	.X ± 0.30	.X° ± 2'
SHEET: 3 OF 3	.XX ± 0.20	.XX° ± 1'
UNIT: mm	.XXX ± 0.10	.XXX° ± 0.5'

深圳扬讯电子有限公司

DESIGN: Andy	DATE: 2014.10.27	USB 3.1 C TYPE Female
CHECKED:	DATE:	CL0.29 H2.0mm DIP TYPE
APPROVED:	DATE:	PART NO: A32-0XP5-X1X
		SIZE: A4
		DWG NO: A32-0XP5-X1X
		REV: A