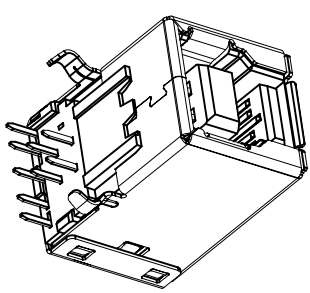
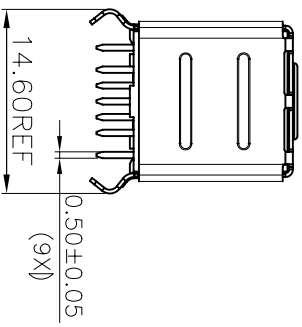
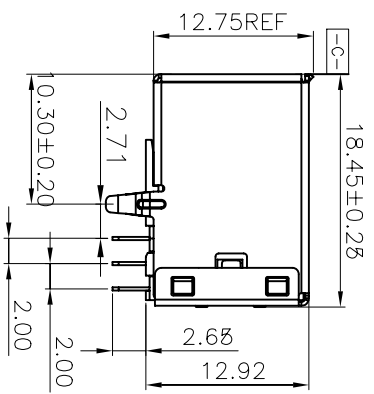
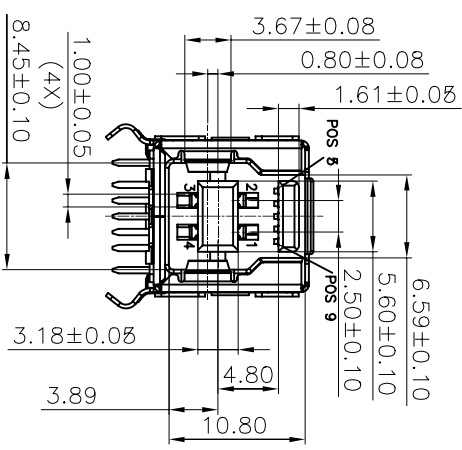
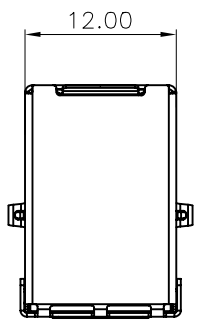
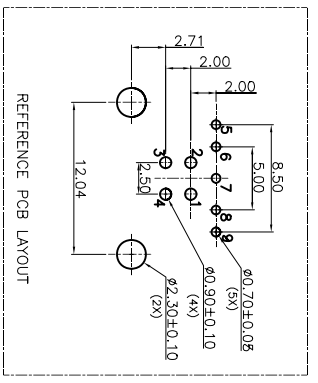
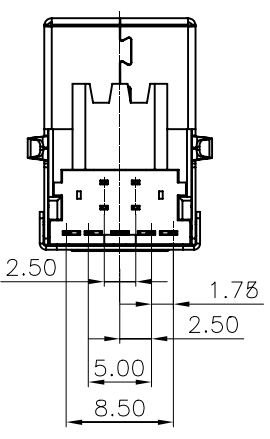


REV.	ECH. NO.	APPD.
A	/	Hexing



SPECIFICATIONS:
 Contact current Rating:
 1.8 Amperes for pin1&pin4.
 0.25 Amperes other contacts
 Dielectric Withstanding Voltage:AC 100V(RMS)
 Insulation Resistance:100Megaohms Minimum.
 Contact Resistance:
 30mΩ Max for pin1&pin4
 50mΩMax for other contacts
 Mechanical Characteristics:
 Mating Force:35 Newtons,Maximum
 Unmating Force:10 Newtons,Minimum.
MATERIAL:
 Housing: PBT+30%GF 94V-0 COLOR:BLUE
 Contact: copper alloy (T=0.25mm)
PLATING:
 Shell: Brass
 Contact: Au Plated on contact area
 Tin Plated on solder area
 Nickel underplating over all
 operating Temperature:-55to+85°



深圳扬讯电子有限公司

TOLERANCE UNLESS OTHERWISE SPECIFIED		PART NAME:	
XXX ±0.10	X' ±3	USB 3.0 BF 90° DIP	
XX ±0.20	.XX' ±2	PART No:	
X ±0.30		91-US01-680	
APPROVED		PROJECTION:	UNIT:
CHECKED		Hexing	SCALE
DRAWN			1:1
DATE		2012.08.01	SHEET
			10F1
			REV.
			A