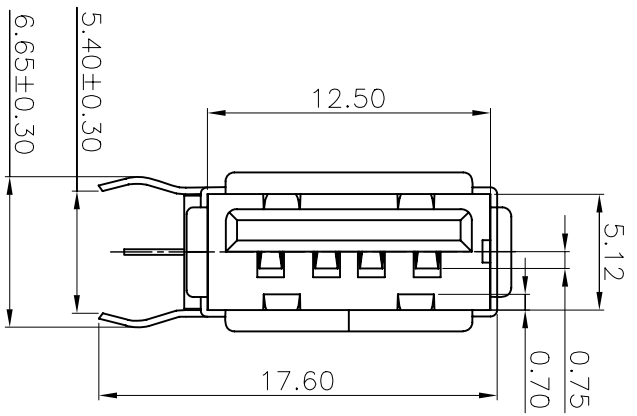
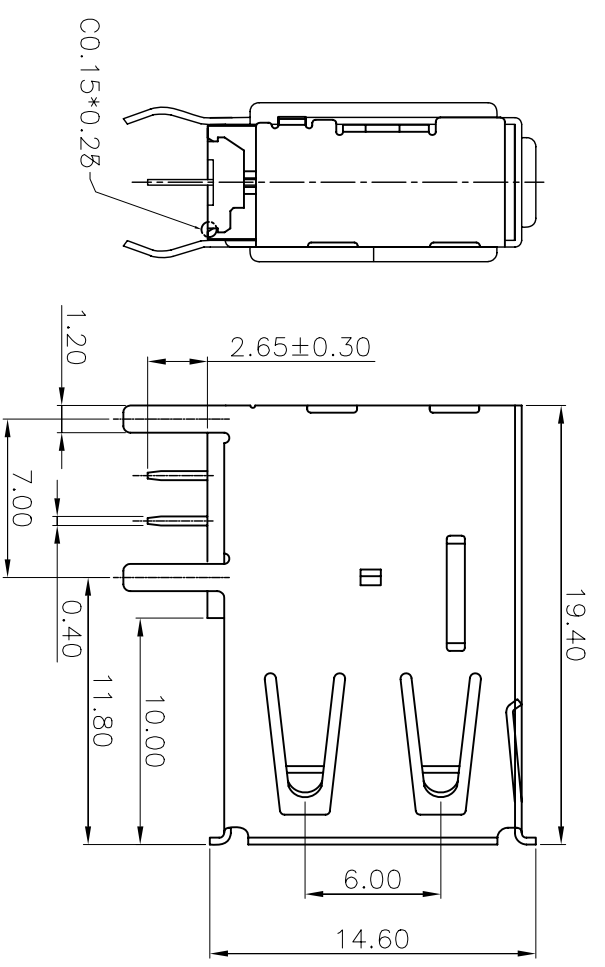
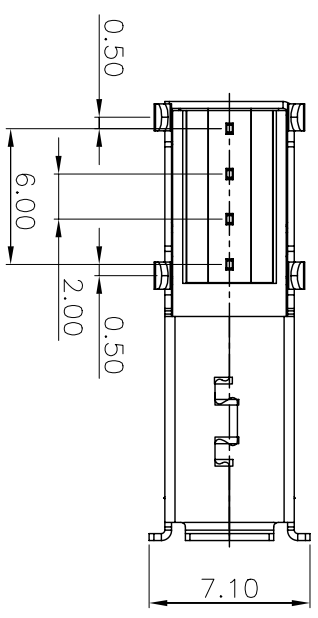


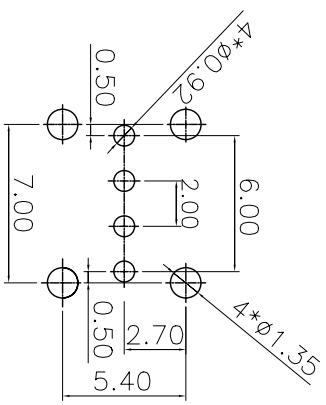
REV.	ECH. NO.	APPD.
A	/	pcy



- NOTES:
- MATERIAL:
 - Housing:thermoplastic plastics
 - terminals:Copper Alloy
 - Gold plated in contact area: Tin plated in termination
 - Nickel Plated overall
 - Shell:Steel&Copper Alloy
 - Nickel Plated overall
 - ELECTRICAL CHARACTERISTICS:
 - Rating Current :1.5 Ampere
 - Rating Voltage :30 V Max
 - Contact Resistance:30 Milli ohms
 - Insulation Resistance:1000 Mega ohms Min.
 - MECHANICAL CHARACTERISTICS:
 - Connector Mating force: 35N MAX(3.57Kgf)
 - Connector Unmating force:10N min(1.02Kgf)
 - Durability:15000cycles.
 - ENVIRONMENT CHARACTERISTICS:
 - Operating temperature:-0°C to +50°C
 - Storage temperature:-20°C to +60°C



PCB LAYOUT



- U226-182X-XXXXXR
- 1:Iron alloy
 - Ni plating
 - 2:Tube
 - 5:Copper alloy
 - Ni plating
 - 1:1u"
 - 3:Au 3u"
 - 5:Au 5u"
 - 7:Au 10u"
 - 8:Au 15u"
 - A:Au 30u"
 - 1:tray
 - 8:Tape&Reel
 - 9:Tape&Reel+Mylar
 - 1:Black
 - 2:White
 - 3:Beige
 - 4:Pure White
 - 1:PA66
 - 2:PBT
 - 6:LCP

深圳扬讯电子有限公司

TOLERANCE UNLESS OTHERWISE SPECIFIED	
XXX ±0.10	X' ±3
XX ±0.20	X' ±2
X ±0.30	X' ±2

APPROVED	PART NAME:	USB AF 侧插长体D款
CHECKED	PART No:	U226-182X-XXXXXR
DRAWN	PROJECTION:	
DATE	UNIT:	mm
	SCALE	1:1
	SHEET	10F1
	REV.	A

9 8 7 6 5 4 3 2 1

A B C D E F