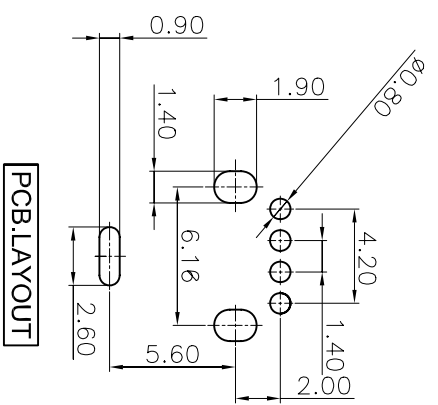
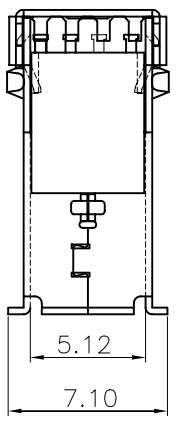
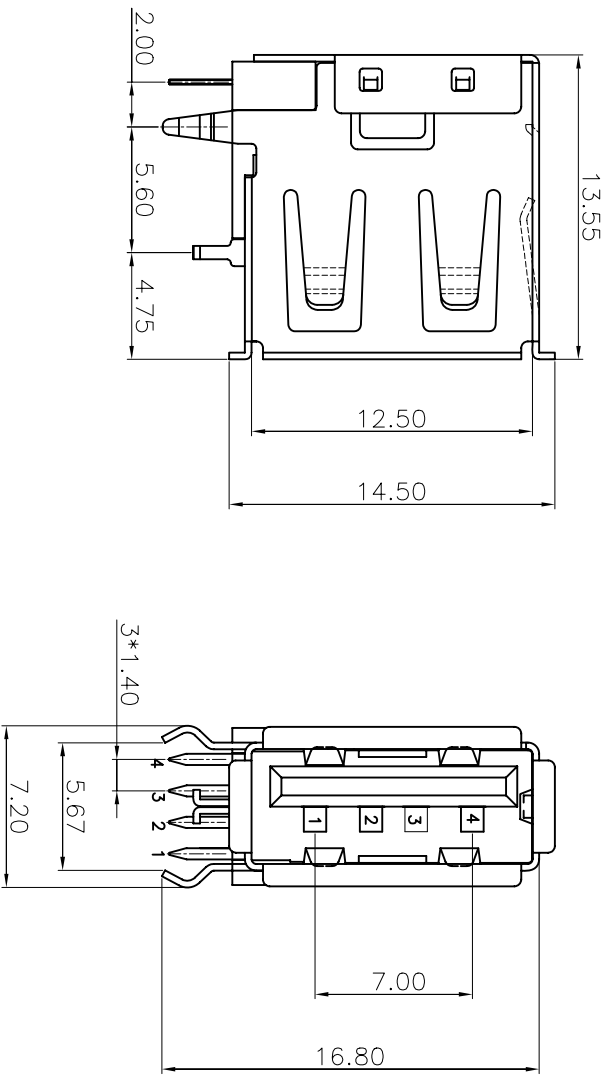


REV.	ECH. NO.	APPD.
A	/	pcy

NOTES:

1. MATERIAL:
 - 1.1 Housing:thermoplastic plastics
 - 1.2 terminals:Copper Alloy
 - 1.2 terminals:Copper Alloy
 - Gold plated in contact area:
 - Tin plated in termination
 - Nickel Plated overall
 - 1.3 Shell:Steel&Copper Alloy
 - Nickel Plated overall
2. ELECTRICAL CHARACTERISTICS:
 - 2.1 Rating Current :1.5 Ampere
 - 2.2 Rating Voltage :30 V Max
 - 2.3 Contact Resistance:30 Milli ohms
 - 2.4 Insulation Resistance:1000 Mega ohms Min.
3. MECHANICAL CHARACTERISTICS:
 - 3.1 Connector Mating force: 35N MAX(3.57Kg \cdot f)
 - 3.2 Connector Unmating force:10N min(1.02Kg \cdot f)
 - 3.3 Durability:1500Cycles.
4. ENVIRONMENT CHARACTERISTICS:
 - 4.1 Operating temperature:-0 \circ C to +50 \circ C
 - 4.2 Storage temperature:-20 \circ C to +60 \circ C



- U226-022X-XXXXXR
- 1:Iron alloy
 - Ni plating
 - 2:Tube
 - 5:Copper alloy
 - Ni plating
 - 1:Au 1u"
 - 3:Au 3u"
 - 5:Au 5u"
 - 7:Au 10u"
 - 8:Au 15u"
 - A:Au 30u"
 - 1:troy
 - 2:Tube
 - 8:Tape&Reel
 - 9:Tape&Reel+MyIar
 - 1:Black
 - 2:White
 - 3:Beige
 - 4:Pure White
 - 1:PA66
 - 2:PBT
 - 6:LCP

深圳扬讯电子有限公司

TOLERANCE UNLESS OTHERWISE SPECIFIED	XXX ±0.10	XX ±0.20	X ±0.30	X' ±3	XX' ±2
--------------------------------------	-----------	----------	---------	-------	--------

APPROVED		PART NAME:	USB AF 侧插短体弯脚	
----------	--	------------	---------------	--

CHECKED		PART No:	U226-022X-XXXXXR	
---------	--	----------	------------------	--

DRAWN	pengchaoyong	PROJECTION:	UNIT:	SCALE	SHEET	REV.
-------	--------------	-------------	-------	-------	-------	------

DATE	2015.01.17		mm	1:1	10F1	A
------	------------	--	----	-----	------	---