

**SPECIFICATIONS:**

**Electrical:**

Contact Resistance: 50 milliohms MAX.  
 Dielectric Withstanding Voltage: 100VAC.AT Sea Level.  
 Insulation Resistance: 1000 MEGA ohms MIN.

**Material:**

Housing: High Temperature Thermoplastics.  
 LCP UL 94V-0

Contact: Copper Alloy.

Shell: Copper Alloy.

Finish: Plated Gold in Mating Ared;

Tin/Lead On Solder tails.

Shell: Tin/Lead Plating.

Nickel Plating.

2- $\varnothing$ 0.9

8.9 $\pm$ 0.1

4.4

4.2 $\pm$ 0.1

0.8

0.5

0.5

0.5

0.5

0.5

0.5

0.5

0.5

0.5

0.5

0.5

0.5

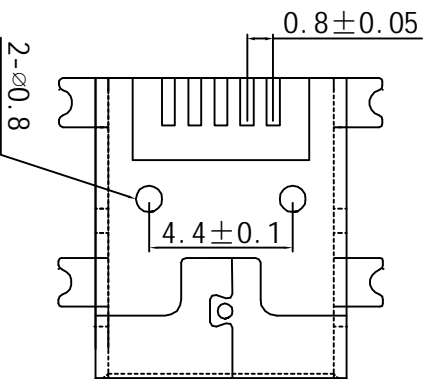
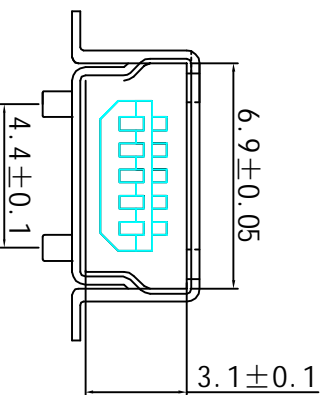
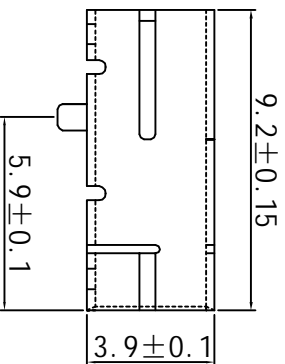
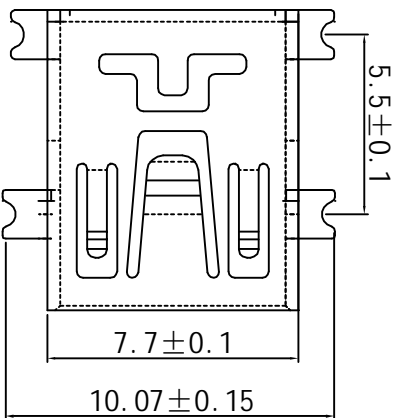
0.5

0.5

0.5

0.5

**PCB LAYOUT**



**深圳扬讯电子有限公司**

**MINI USB 5F SMT**

TOLERANCE: X. ±0.15 X.X ±1.0 X.XX ±0.05 X° ±2° X.X' ±0.05°		DRAWN BY: 胡洼 CHECKED BY: 李国栋 APPROVED BY:		DATE:		PART NAME:	
UNIT: mm [inch] SCALE: 1:1 SIZE: A4		DATE:		DATE:		DRAW NO:	
DATE:		DATE:		DATE:		PART NO:	
DATE:		DATE:		DATE:		REMARK:	
DATE:		DATE:		DATE:		MOLD NO:	

VHL-02-04-29

MINI USB 5F SMT

MINI USB 5F SMT

MINI USB 5F SMT