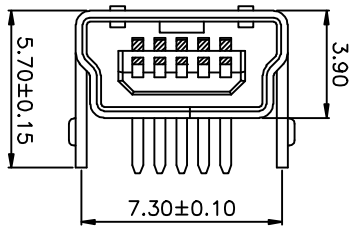
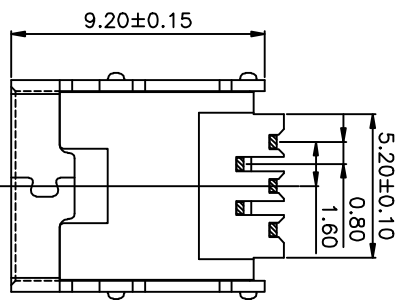
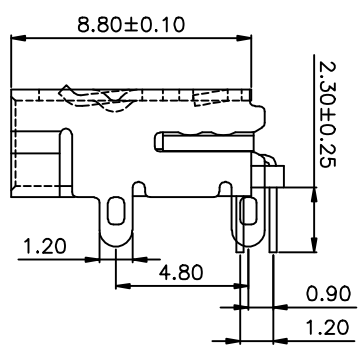
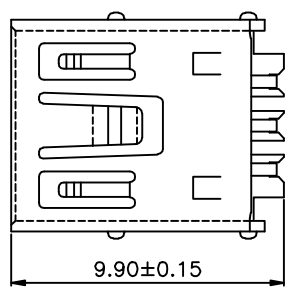
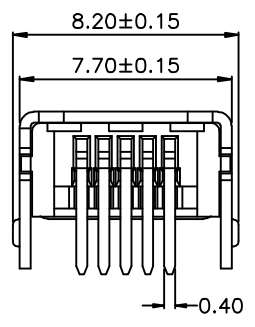
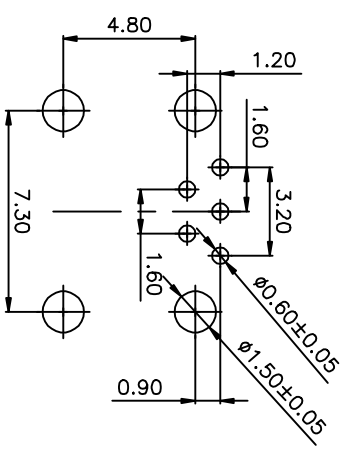


REV.	DESCRIPTION	DATE	CHANGER
A/0	原始版本	2005.11.6	

Housing: Thermoplastics, UL94V-0  
 Contact: Copper Alloy  
 Shell: Copper Alloy / Steel  
 Voltage Current Rating: 1 AMP. 30V AC  
 Insulation Resistance: 100MΩ Min.  
 Contact Resistance: 50 mΩ Max.  
 Dielectric Withstanding Voltage: 100V AC  
 Temperature Range: -50°C to +85°C



*PC BOARD LAYOUT*



**深圳揚訊電子有限公司**  
 ShenZhenYangXun Electronic Co., Ltd

TOLERANCE: X. ± XX ±0.20 XXX ±0.10 XXX ±0.05 X° ±1°	DRAWN BY: 胡建	DATE: 2005.11.6	PART NAME: MINI USB 母 3 TYPE 90° DIP 2 POSTS
UNIT: mm [inch]	CHECKED BY:	DATE:	DRAW NO. YH-02-04-84
SCALE: 1:1	APPROVED BY:	DATE:	REMARK
SIZE: A4			MOLD NO.