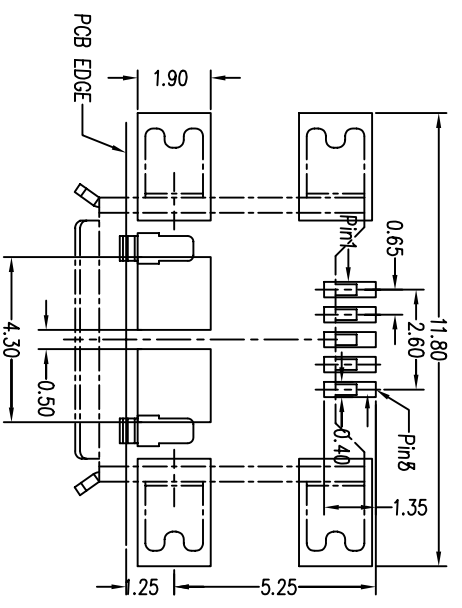
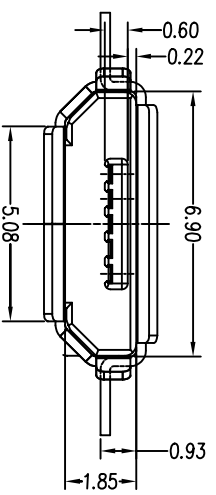
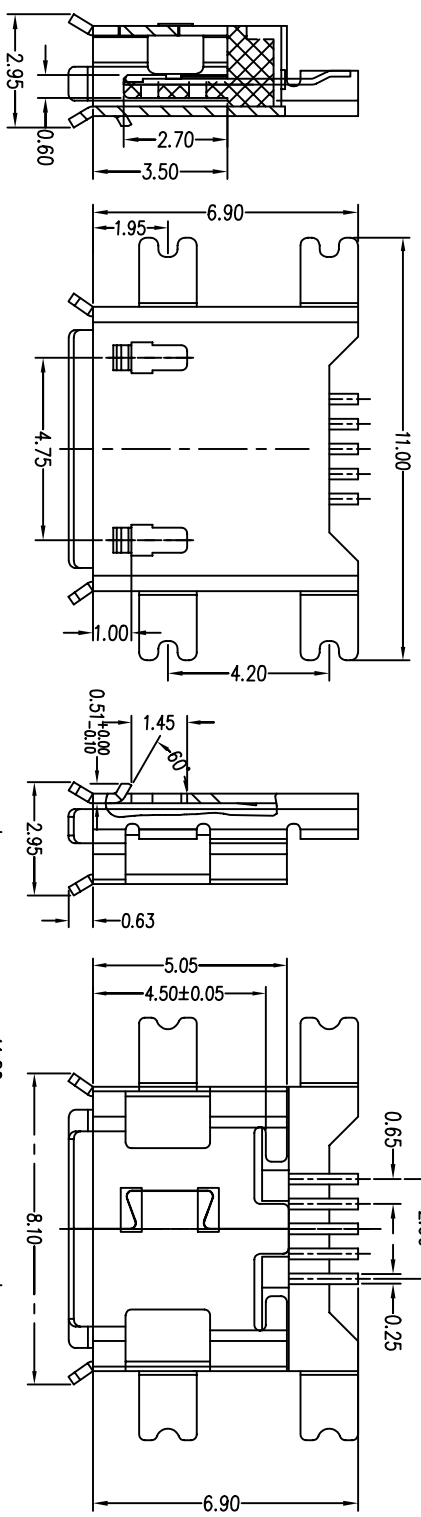
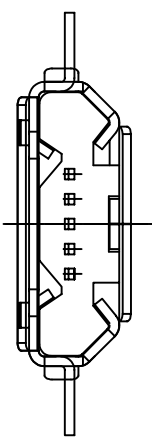


REV.	ECN NO	LOCATIONS	DESCRIPTION	DATE	REVISER	APPD
REV	ECNNO	LOCATIONS	DESCRIPTION	DATE	REVSER	



Order Information:
1-MD05SMXXX-01
 ① ② ③ ④ ⑤ ⑥ ⑦ ⑧ ⑨

- 1: Assy.
- 2: Series No.
- 3: Contact No.
- 05: 5 pos.
- 4: P: Plug
- S: Socket
- 5: Style
- M: Smt
- 6: Color
- B: Black
- W: White
- N: Nature
- 7: Contact plating
- 1: 1u"
- 2: 3u"
- 3: 5u"
- 4: 15u"
- 5: 30u"
- 8: Shell plating
- T: Tin
- N: Nickel
- A: Au plated all
- B: None

No.	Name	Qty	Finish
3	Shell	1	N/A
2	Contact	5	N/A
1	Housing	1	N/A

PART NO:		PARTNO.		MATERIAL:		MATERIAL:	
MODEL NO:	MOLDNO.	FINSH:	FINSH	DR:	CHK:	DWG NO:	DWGNO
				??R		Micro usb 5pinB Type	DFPC001
TOLERANCE UNSPECIFIED				TITLE: 深圳扬讯现在有限公司			
.x	.xx	.xxx	.xxx	APP:	SCALE:	SCALE:	SCALE:
ANG.	ANG.	ANG.	ANG.	APP:	SCALE:	SCALE:	SCALE:

- Note:
1. Material:
 - 1.1 Housing: High temperature thermoplastic with g.f. UL94v-0
 - 1.2 Contact: copper alloy, t=0.20mm
 - 1.3 Shell: copper alloy, t=0.25mm
 2. Specification:
 - 2.1 Current rating: 1 A Max.
 - 2.2 Dielectric withstanding voltage: 100 V(ac) for 1 min.
 - 2.3 Contact resistance: 50 mΩ Max.
 - 2.4 Insulation resistance: 100 MΩ Min.
 - 2.5 Total mating force: 5.57 Kgf Max.
 - 2.6 Total unmating force: 1.0 Kgf Min. 0.81~2.05 Kgf Min. after 10000 insertion/extraction cycles
 - 2.7 Temperature range: -30°C~80°C

RECOMMENDED PCB LAYOUT

深圳扬讯现在有限公司

Micro usb 5pinB Type
 CUSTOMER DRAWING
 (被板式) Smt

