

材质环境要求符合ROHS2+HF

REV.	ECN No.	APPD
B	ECN2017083001	RONFA

NOTES:

1.MATERIAL & FINISH:

HOUSING:LCP,UL94V-0,BLACK;

CONTACT:PHOSPHER BRONZE;

SHELL:PHOSPHER BRONZE.

2.FINISH:

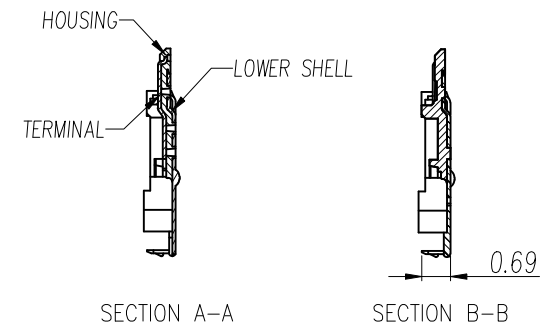
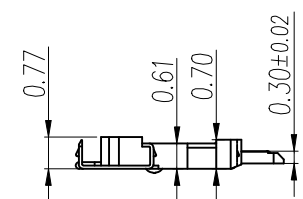
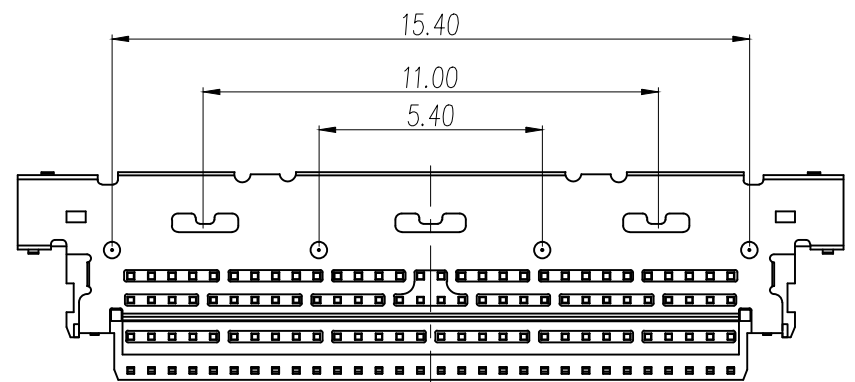
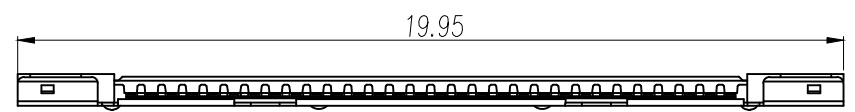
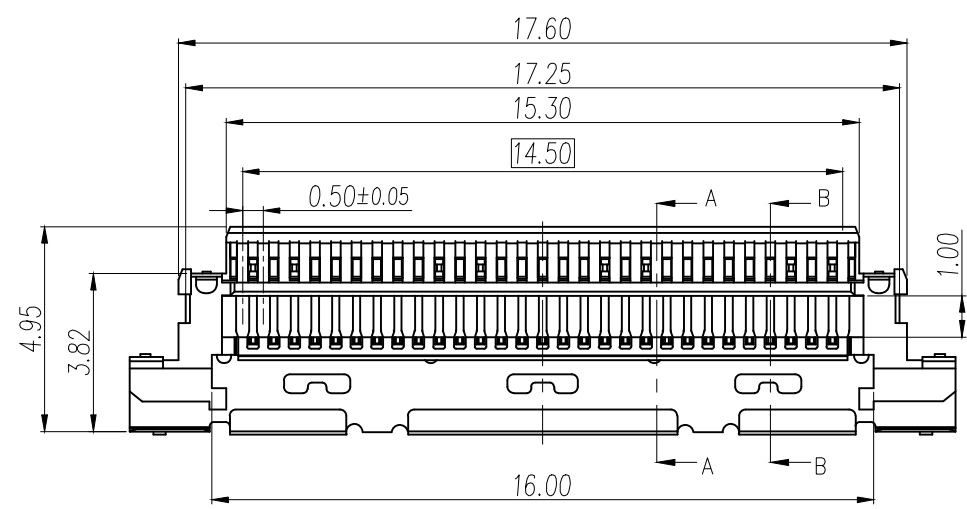
SEE TABLE

3.RECOMMENDED CABLE:

SGC:AWG#36,40,42,44(#36:POWER ONLY);

DISCRETE:AWG#32,36;

4.IT CAN BE USED THE SGC CABLE AND THE TEFLON CABLE TOGETHER.



LJ11446-15	接触区镀金15U" MIN,焊线区镀金G/F,镍底50U"MIN	镀金G/F,镍底50U"MIN
LJ11446-10	接触区镀金10U" MIN,焊线区镀金G/F,镍底50U"MIN	
LJ11446	接触区镀金3U" MIN,焊线区镀金G/F,镍底50U"MIN	
本体料号	端子电镀规格	铁壳电镀规格

ROHS COMPLIANT LEAD&HALOGEN FREE	UNITS	mm	PART NO.	SEE TABLE	TITLE	LVDS 30PIN 拉环本体客户图	
	TOL.		DRAWING NO.	E-LJ11446	SCALE	1:1	REV. B
	X.±	X.*±	DR:	TOM 8/30/2017	PROJECTION		SHEET 1/3
	.X± 0.20	.X*±	CHKD:	SUNNY 8/30/2017	深圳扬讯电子有限公司		
.XX± 0.15	.XX*±	APPD:	RONFA 8/30/2017				

材质和环境要求符合ROHS2+HF

REV.	ECN No.	APPD
B	ECN2017083001	RONFA

NOTES:

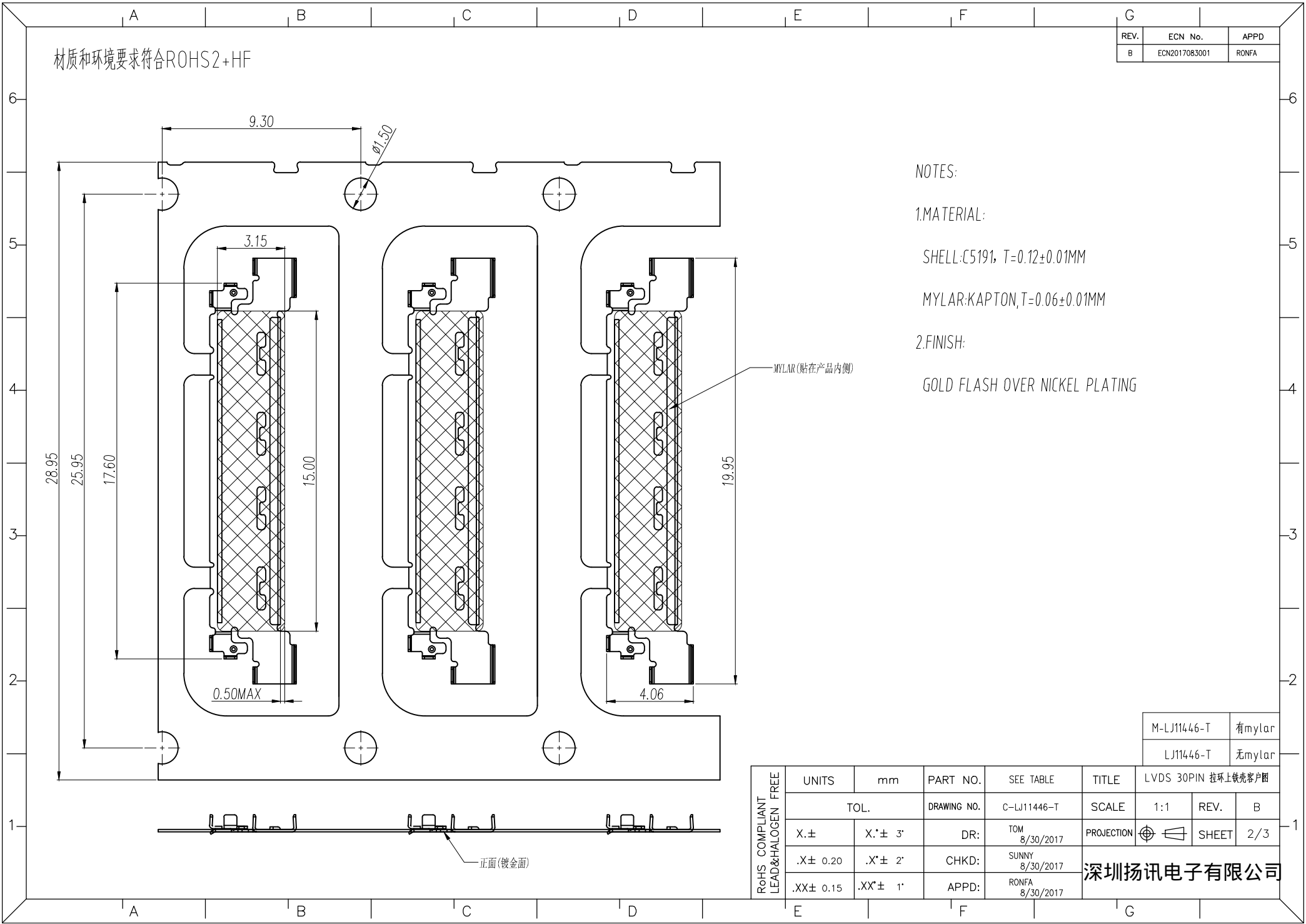
1.MATERIAL:

SHELL:C5191, T=0.12±0.01MM

MYLAR:KAPTON,T=0.06±0.01MM

2.FINISH:

GOLD FLASH OVER NICKEL PLATING

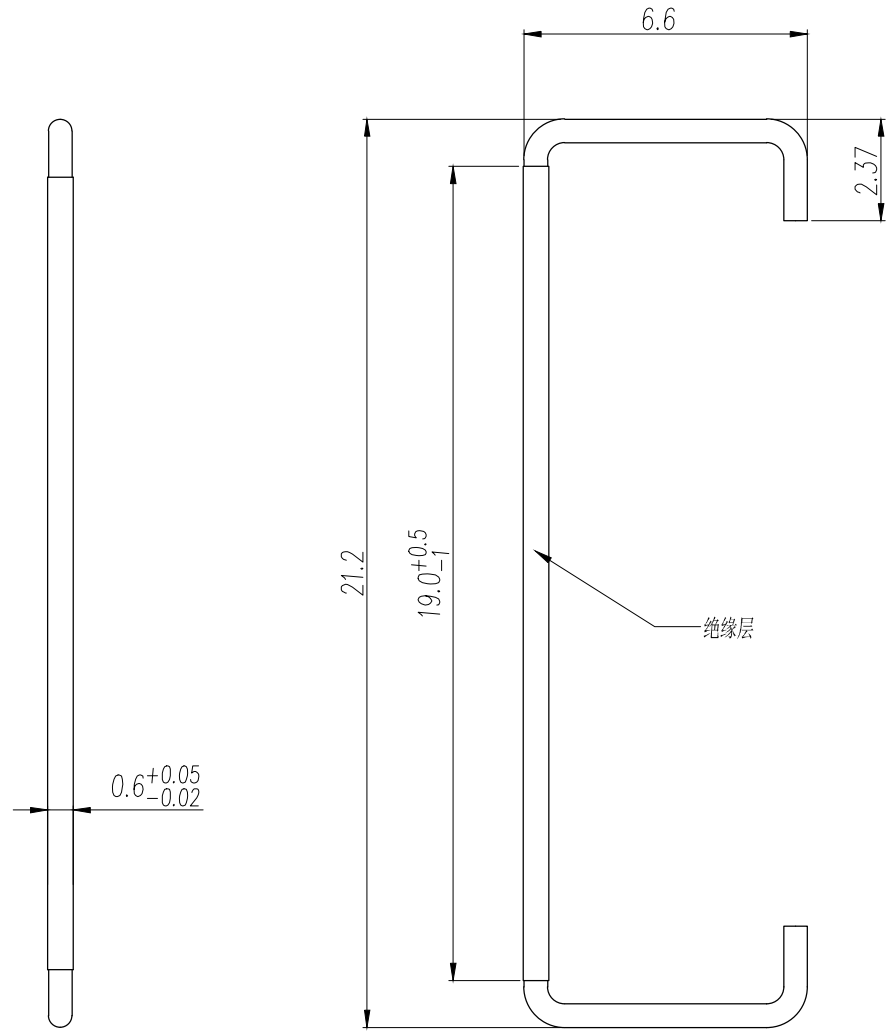


M-LJ11446-T	有mylar
LJ11446-T	无mylar

ROHS COMPLIANT LEAD&HALOGEN FREE	UNITS	mm	PART NO.	SEE TABLE	TITLE	LVDS 30PIN 拉环上铁壳客户图		
	TOL.		DRAWING NO.	C-LJ11446-T	SCALE	1:1	REV.	B
	X.±	X.'± 3'	DR:	TOM 8/30/2017	PROJECTION		SHEET	2/3
	.X± 0.20	.X'± 2'	CHKD:	SUNNY 8/30/2017	深圳扬讯电子有限公司			
.XX± 0.15	.XX'± 1'	APPD:	RONFA 8/30/2017					

材质和环境要求符合ROHS2+HF

REV.	ECN No.	APPD
B	ECN2017083001	RONFA



NOTES:

1.MATERIAL:

SUS+PAINT FILM, THICKNESS: 0.03 ~ 0.10MM;

2.DIELECTRIC WITHSTANDING VOLTAGE:

250V AC FOR 1 MINUTE;

3.HITH TEMPERATURE RESISTANT:

100°C FOR 30 MINUTE.

RoHS COMPLIANT LEAD&HALOGEN FREE	UNITS	mm	PART NO.	LJ11446-W	TITLE	LVDS 0.5PH 30PIN 拉环客户图		
	TOL.		DRAWING NO.	C-LJ11446W	SCALE	1:1	REV.	B
	X.±	X.*± 3'	DR:	TOM 8/30/2017	PROJECTION		SHEET	3/3
	.X± 0.20	.X*± 2'	CHKD:	SUNNY 8/30/2017	深圳扬讯电子有限公司			
	.XX± 0.15	.XX*± 1'	APPD:	RONFA 8/30/2017				