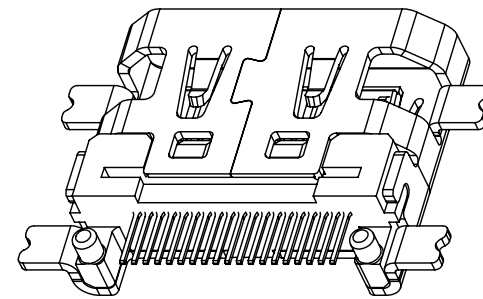
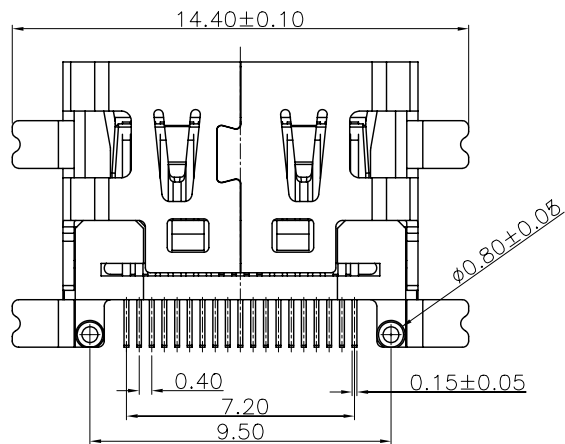
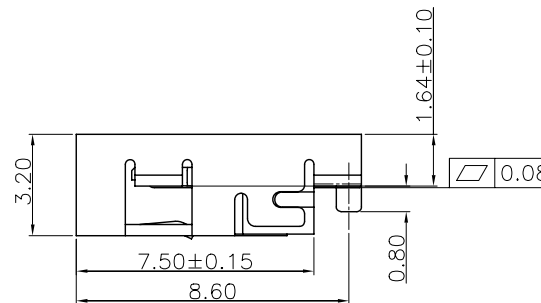
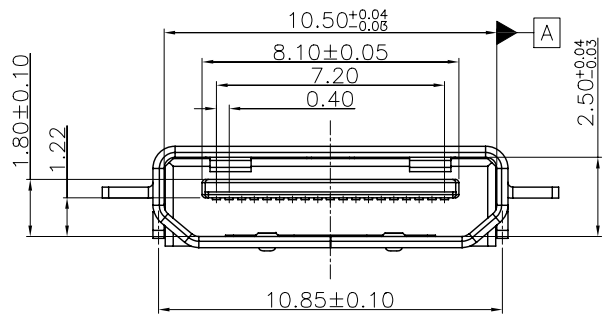


Mylar(CAN BE REMOVE)

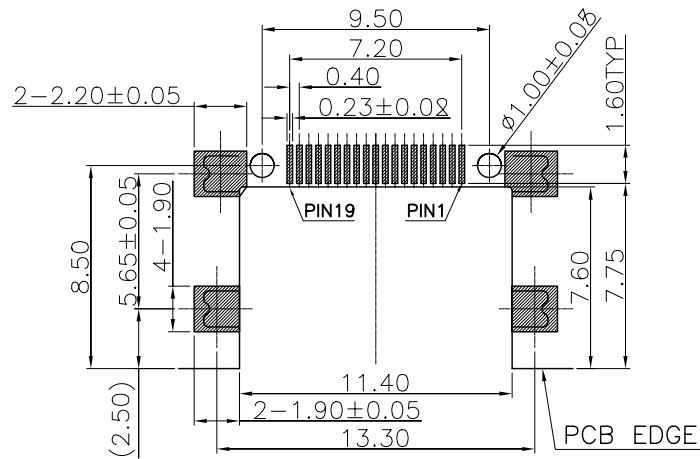


3D VIEW



A	新版发行	chu	2011-03-02
Rev. 版本	CHANGE DESCRIPTION 变更内容	REVISOR 制/修订人	DATE 日期

MATERIAL	TOLERANCE UNSPECIFIED	深圳扬讯电子有限公司 	
	0.0 ±0.30 0.° ±2° 0.00 ±0.20 .0° ±1° 0.000 ±0.10 .0° ±0.5°		
FINISH	DRAWN	SCALE	UNIT
	Chu 11/03/08	1:1	mm
	DESIGNER	NAME	
	Chu 11/03/08	HDMI C/F TYPE SMT SINK TYPE (HSC-1 Series)	
CHECKED	APPROVED	DRAWING NO.	SHEET
		HHF-1XX001-XSC	1/2
			REV
			A



RECOMMENDED PCB LAYOUT(TOP VIEW)
TOLERANCE = ± 0.05

PIN	Signal Name	PIN	Signal Name
1	TMDS DATA2 Shield	11	TMDS Clock+
2	TMDS DATA2+	12	TMDS Oclock-
3	TMDS DATA2-	13	DDC/CEC Ground
4	TMDS DATA1 Shield	14	CEC
5	TMDS DATA1+	15	SCL
6	TMDS DATA1-	16	SDA
7	TMDS DATA0 Shield	17	Reserved(in cable but N.C.on device)
8	TMDS DATA0+		
9	TMDS DATA0-	18	+5V Power
10	TMDS Clock Shield	19	Hot Plug Detect

A	新版发行	chu	2011-03-02
Rev. 版本	CHANGE DESCRIPTION 变更内容	REVISOR 制/修订人	DATE 日期

NOTES:

- MATERIAL:
 - HOUSING: LCP, BLACK, UL94V-0
 - SHELL: BRASS
 - TERMINAL: PHOSPHOR BRONZE
 - MYLAR:
- PLATING:
 - SHELL: GOLD PLATING OVER NICKEL UNDERPLATED/NICKEL PLATING OVER ALL
 - TERMINAL: GOLD PLATING ON CONTACT AREA AND TIN PLATING ON SOLDER AREA, NICKEL UNDERPLATING OVER ALL
- ALL RAW MATERIAL, COMPONENTS, AND PROCESS MUST MEET HAZARD SUSTAIN FREE PER RoHS & REACH STANDARD.

4. P/N: HHF-1XX001-XSC

SHELL MATERIAL & PLATING CODE: 1: TARY PACKING
2: MATERIAL: COPPER ALLOY NICKEL PLATING WITHOUT FLANGE
6: MATERIAL: COPPER ALLOY GOLD PLATING WITHOUT FLANG

PACKAGING CODE
1: TARY PACKING
2: TAPE REEL PACKAGEING
3: TUBE PACKING

MYLAR:
0: WITHOUT MYLAR
1: WITH MYLAR

TERMINAL CONTACT AREA PLATING CODE:
1: CONTACT AREA: GOLD FLASH
SOLDER AREA: GOLD FLASH
2: CONTACT AREA: 3u" GOLD
SOLDER AREA: GOLD FLASH
A: CONTACT AREA: GOLD FLASH
SOLDER AREA: MATTE TIN 100u"
B: CONTACT AREA: 3u" GOLD
SOLDER AREA: MATTE TIN 100u"

MATERIAL	TOLERANCE UNSPECIFIED 0.0 ±0.30 0' ±2' 0.00 ±0.20 .0' ±1' 0.000 ±0.10 .0' ±0.5'	深圳扬讯电子有限公司	
	FINISH	SCALE 1:1	UNIT mm
DRAWN Chu 11/03/02 DESIGNER Chu 11/03/02 CHECKED APPROVED	NAME HDMI C/F TYPE SMT SINK TYPE (HSC-1 Series)		SHEET 2/2
	DRAWING NO. HHF-1XX001-XSC		REV A