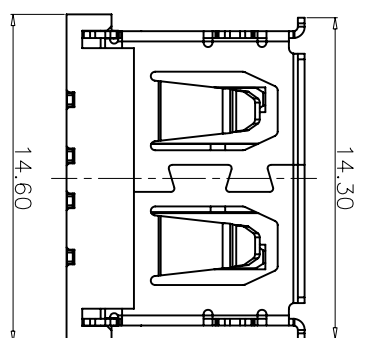
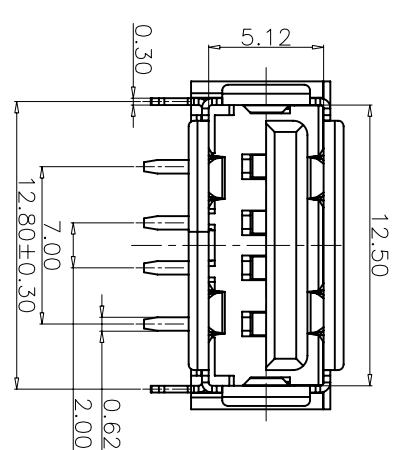
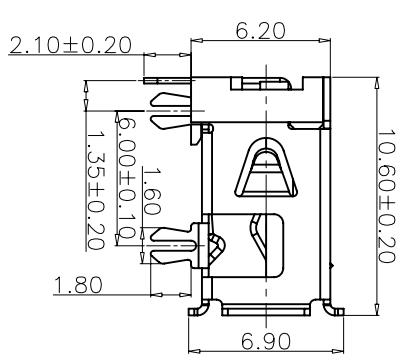


RECOMMENDED PCB LAYOUT
GENERAL TOLERANCE:±0.05



备注:

1. 材质: 胶芯: PBT UL 94V-0, 外壳: C2680R-H T=0.30±0.01; 端子: C2680R-H T=0.25±0.01;
2. 电镀: 端子: 先镀50μ"镍, 在接触区镀金1μ"Min, 在焊接区镀亮锡100μ"Min. 外壳: 全表面镀镍50μ"Min.
3. 电气特性: Voltage Rating: 30V DC
Current Rating: 1.5 A max
CONTACT RESISTANCE: 30mΩ Max
DIELECTRIC WITHSTANDING VOLTAGE: 500V AC for 1Min
INSULATION RESISTANCE: 1000MΩ Min
4. 机械特性: INSERTION FORCE: 35N(3.57kgf) Max
EXTRACTION FORCE: 10~35N(1.02~3.57kgf)
DURABILITY: 1500 CYCL EXTRACTION FORCE: 10N(1.02kgf)Min
5. 环境特性: OPERATING TEMPERATURE: -55° C~+85° C

TOLERANCE UNLESS OTHERWISE SPECIFIED	
XXX	±0.15
XX	±0.30
X	±0.45
.X	±.5

产品名称 PART NAME:	AF 10.6四叉脚有卷边90度
料号 PART No.:	91-US01-683

REV:	DESCRIPTION	REV BY	APPROVED	DATE	MATL:	SEE SPECIFICATION	THIRD ANGLE PROJECTION	APPROVED

PROJECTION:	UNIT:	SCALE	REV(NO)	SHEET	DRAWN	DATE
	MM	1:1	A	1 OF 1		2012.07.06

深圳扬讯电子有限公司