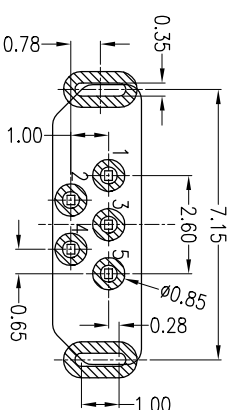
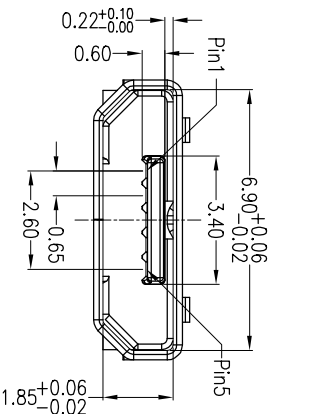
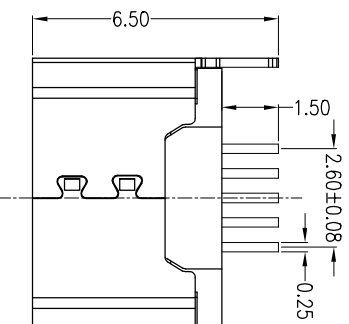
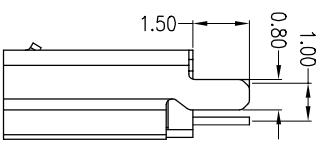
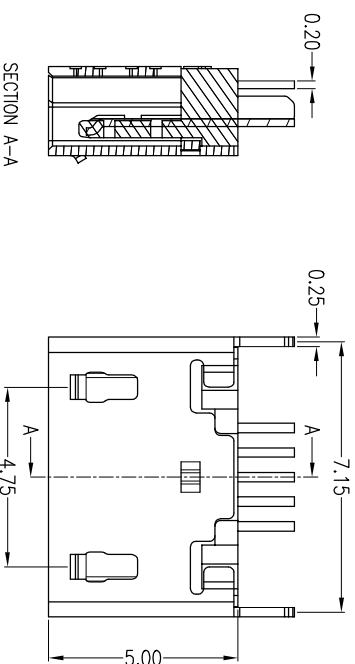
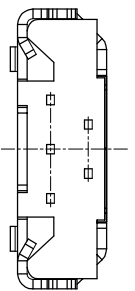


REV.	ECH NO	LOCATIONS	DESCRIPTION	DATE



RECOMMENDED PCB LAYOUT
PCB图仅供参考

- Note:
1. Material:
 - 1.1 Housing: High temperature thermoplastic with g.f.Ul94V-0
 - 1.2 Contact: copper alloy,t=0.20mm
 - 1.3 Shell: SUS304,t=0.25mm
 2. Specification:
 - 2.1 Current rating:1.5PIN 1.8A Max/2.3,4PIN 1A Max.
 - 2.2 Dielectric withstanding voltage: 100 V(ac) for 1 min.
 - 2.3 Contact resistance: 30 mΩ Max.
 - 2.4 Insulation resistance: 100 MΩ Min.
 - 2.5 Total mating force: 3.57 Kgf Max.
 - 2.6 Total unmating force: 1.0 Kgf Min.
 - 2.7 Temperature range: -30°C~80°C

A 01 S B X X X X X X X X-677

- 1 外壳材质 7:SS00F-1/2H
- 2 外壳电镀 1:10Zn'
- 3 2:黑Zn'
- 4 3:黄Zn' (铜)
- 5 4:Alu'
- 6 端子电镀 01:Alu',02:Al,5V',03:Al,6V'
- 7 05:Al,6V',10:Al,6V',15:Al,6V',20:Al,6V'
- 8 端子颜色 B:黑色
- 9 主体材质 1:LP
- 10 主体颜色
- 11 端子材料 4:SS19R-BH

PART NO:	A01SBXXXXXXXX-677	MATERIAL:	SEE NOTE	深圳扬讯电子有限公司 TITLE: Mfcro usb 5s B型180度插板脚长1.5无导位 DWG NO: A677 SCALE: 5:1			
MODEL NO:	XX	FINSH:	SEE NOTE			DATE:	2016.06.18
UNIT:	MM	SIZE:	A4			REV:	A
TOLERANCE UNSPECIFIED			DR:			xiayulong	
.x			0.15	CHK:			
.xx			0.10	APP:			
.xxx			0.05				
Ang.			1°				