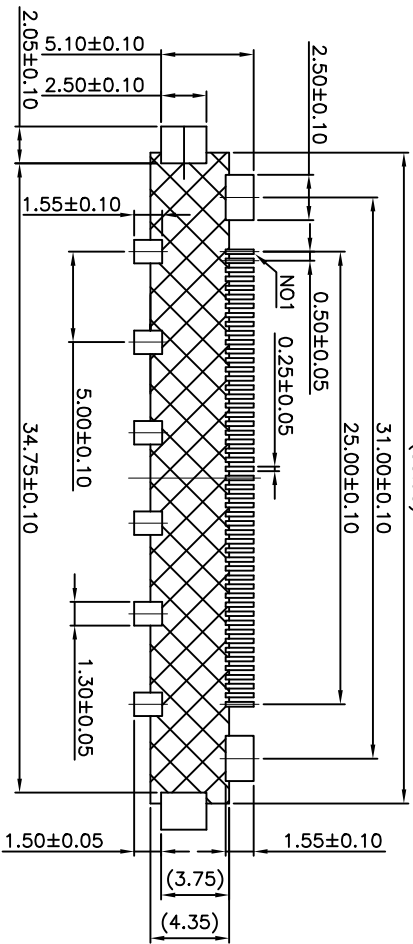
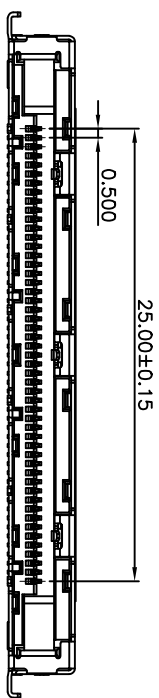
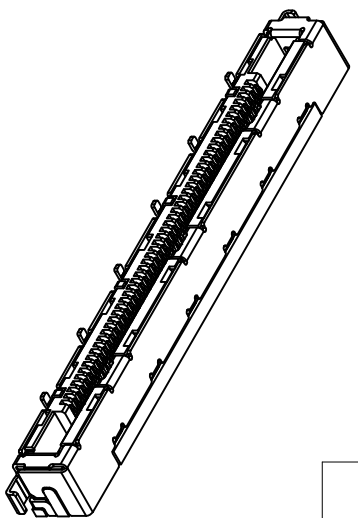


CONTACTS SOLDERING END AND METAL HOLD DOWN



RECOMMEND P.C.B LAYOUT



NOTES:

1. MATERIAL:

- 1.1 HOUSING: THERMOPLASTIC, HIGH TEMP. UL94V-0; COLOR:BLACK.
- 1.2 CONTACT: COPPER ALLOY, T=0.20.
- 1.3 SHELL:STAINLESS STEEL, T=0.20.

2. PLATING:

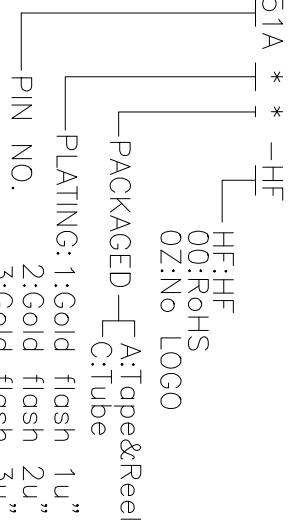
2.1 CONTACT:

- UNDER PLATING: 50u" MIN. NICKEL OVERALL.
- PLATING:CONTACT AREA GOLD 3u"Min.
- SOLDER AREA MATTE TIN (LEAD FREE) 75u" MIN.

2.2 SHELL:

- SOLDER AREA PLATED WITH GOLD FLASH, 10u"~80u" NICKEL UNDER PLATED

3.PART NO:AFLO3-SS1A * *-HF



1.0	Rev	初版发行	2017/07/06	Andy	Project View	1 of 1	Product Name (产品名称): LYDS 0.5 PITCH 51P H=3.75 TYPE CONN.	Designer (设计): Andy	Checked (审核):	Approved (核准):
	Change Description	变更内容	Date	Revisior	Project View	Scale (比例): 1:1	Product No (产品型号): AFLO3-SS1P4-*			

深圳扬讯电子有限公司