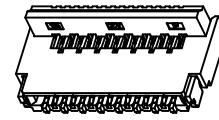
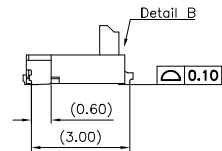
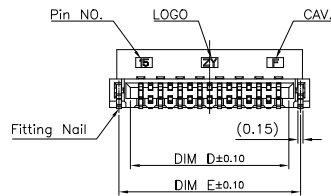
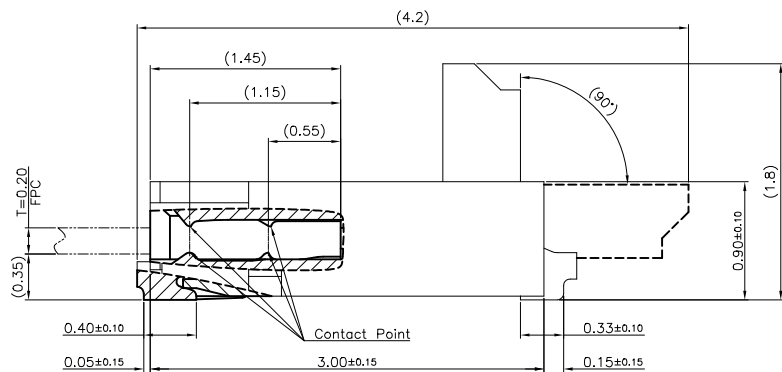


RECOMMENDED FPC

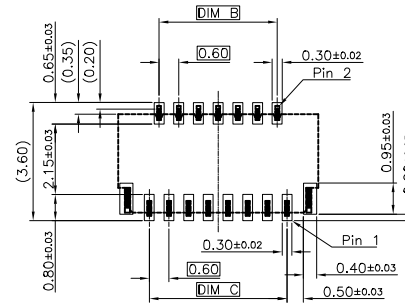
Detail A Scale 4:1



CKTS	DIM A	DIM B	DIM C	DIM D	DIM E	DIM F
9	4.30	1.80	2.40	3.03	3.73	3.00
11	4.90	2.40	3.00	3.63	4.33	3.60
13	5.50	3.00	3.60	4.23	4.93	4.20
15	6.10	3.60	4.20	4.83	5.53	4.80
17	6.70	4.20	4.80	5.43	6.13	5.40
19	7.30	4.80	5.40	6.03	6.73	6.00
21	7.90	5.40	6.00	6.63	7.33	6.60
23	8.50	6.00	6.60	7.23	7.93	7.20
25	9.10	6.60	7.20	7.83	8.53	7.80
27	9.70	7.20	7.80	8.43	9.13	8.40
29	10.30	7.80	8.40	9.03	9.73	9.00
31	10.90	8.40	9.00	9.63	10.33	9.60
33	11.50	9.00	9.60	10.23	10.93	10.20
35	12.10	9.60	10.20	10.83	11.53	10.80
37	12.70	10.20	10.80	11.43	12.13	11.40
39	13.30	10.80	11.40	12.03	12.73	12.00
41	13.90	11.40	12.00	12.63	13.33	12.60
43	14.50	12.00	12.60	13.23	13.93	13.20
45	15.10	12.60	13.20	13.83	14.53	13.80
47	15.70	13.20	13.80	14.43	15.13	14.40
49	16.30	13.80	14.40	15.03	15.73	15.00
51	16.90	14.40	15.00	15.63	16.33	15.60
53	17.50	15.00	15.60	16.23	16.93	16.20
55	18.10	15.60	16.20	16.83	17.53	16.80
57	18.70	16.20	16.80	17.43	18.13	17.40
59	19.30	16.80	17.40	18.03	18.73	18.00
61	19.90	17.40	18.00	18.63	19.33	18.60
63	20.50	18.00	18.60	19.23	19.93	19.20
65	21.10	18.60	19.20	19.83	20.53	19.80
67	21.70	19.20	19.80	20.43	21.13	20.40
69	22.30	19.80	20.40	21.03	21.73	21.00
71	22.90	20.40	21.00	21.63	22.33	21.60



Detail B Scale 4:1



RECOMMENDED PCB MOUNTING PATTERN

Note:

- Material:
 - Housing: thermoplastic high temp.UL94V-0; Color: black.
 - Latch: thermoplastic high temp.UL94V-0; Color: black.
 - Terminal: copper alloy.
 - Fitting Nail: copper alloy.

2. Finish:

- Terminal:
 - 50~100u" Nickel under plating over all
 - Gold flash on contact and solder area.
 - K:3u" Gold on contact and Gold Flash on Solder
- Fitting Nail:
 - 50~100u" Nickel under plating over all
 - 80~150u" Matte tin over all

3. Product must comply HF RoHS specification.

4. Product No:

AFE07-S ** F * A - **
 CKTS ** F * A - **
 CONTACTS TYPE F:Up & Lower
 PLATING I:Gold flash on contact and solder area.
 K:Au 3u" on contact and gold flash on solder area
 PACKING A:Tape&Reel
 REMARKS 1H:Halogen free

5. Project View

1 OF 1

6. Designer (设计):

张孝雄

7. Checked (审核):

张孝雄

8. Approved (核准):

张孝雄

9. Date (日期):

2020/03/07

10. Revisor (制/修订人):

张孝雄

11. Change Description (变更内容):

初版发行

12. Rev (版本):

A

13. Project View (投影视角):

1 OF 1

14. Scale (比例):

1:1

15. Unit (单位):

MM

16. Tolerance Unspecified (未注公差):

0.0 ±0.15 0° ±5°

17. Tolerance Specified (指定公差):

0.00 ±0.10 0° ±3°

18. Tolerance Specified (指定公差):

0.000 ±0.05 0° ±1°

19. Product Name (产品名称):

0.3Pitch H=0.9 FPC/FPC Back-Flip RA Type1 SMT CONN

20. Product No (产品料号):

AFE07-S**F*A-**

21. Project View (投影视角):

1 OF 1

22. Scale (比例):

1:1

23. Unit (单位):

MM

24. Tolerance Unspecified (未注公差):

0.0 ±0.15 0° ±5°

25. Tolerance Specified (指定公差):

0.00 ±0.10 0° ±3°

26. Tolerance Specified (指定公差):

0.000 ±0.05 0° ±1°

27. Product Name (产品名称):

0.3Pitch H=0.9 FPC/FPC Back-Flip RA Type1 SMT CONN

28. Product No (产品料号):

AFE07-S**F*A-**

29. Project View (投影视角):

1 OF 1

30. Scale (比例):

1:1

31. Unit (单位):

MM

32. Tolerance Unspecified (未注公差):

0.0 ±0.15 0° ±5°

33. Tolerance Specified (指定公差):

0.00 ±0.10 0° ±3°

34. Tolerance Specified (指定公差):

0.000 ±0.05 0° ±1°

35. Product Name (产品名称):

0.3Pitch H=0.9 FPC/FPC Back-Flip RA Type1 SMT CONN

36. Product No (产品料号):

AFE07-S**F*A-**

37. Project View (投影视角):

1 OF 1

38. Scale (比例):

1:1

39. Unit (单位):

MM

40. Tolerance Unspecified (未注公差):

0.0 ±0.15 0° ±5°

41. Tolerance Specified (指定公差):

0.00 ±0.10 0° ±3°

42. Tolerance Specified (指定公差):

0.000 ±0.05 0° ±1°

43. Product Name (产品名称):

0.3Pitch H=0.9 FPC/FPC Back-Flip RA Type1 SMT CONN

44. Product No (产品料号):

AFE07-S**F*A-**

45. Project View (投影视角):

1 OF 1

46. Scale (比例):

1:1

47. Unit (单位):

MM

48. Tolerance Unspecified (未注公差):

0.0 ±0.15 0° ±5°

49. Tolerance Specified (指定公差):

0.00 ±0.10 0° ±3°

50. Tolerance Specified (指定公差):

0.000 ±0.05 0° ±1°

51. Product Name (产品名称):

0.3Pitch H=0.9 FPC/FPC Back-Flip RA Type1 SMT CONN

52. Product No (产品料号):

AFE07-S**F*A-**

53. Project View (投影视角):

1 OF 1

54. Scale (比例):

1:1

55. Unit (单位):

MM

56. Tolerance Unspecified (未注公差):

0.0 ±0.15 0° ±5°

57. Tolerance Specified (指定公差):

0.00 ±0.10 0° ±3°

58. Tolerance Specified (指定公差):

0.000 ±0.05 0° ±1°

59. Product Name (产品名称):

0.3Pitch H=0.9 FPC/FPC Back-Flip RA Type1 SMT CONN

60. Product No (产品料号):

AFE07-S**F*A-**

61. Project View (投影视角):

1 OF 1

62. Scale (比例):

1:1

63. Unit (单位):

MM

64. Tolerance Unspecified (未注公差):

0.0 ±0.15 0° ±5°

65. Tolerance Specified (指定公差):

0.00 ±0.10 0° ±3°

66. Tolerance Specified (指定公差):

0.000 ±0.05 0° ±1°

67. Product Name (产品名称):

0.3Pitch H=0.9 FPC/FPC Back-Flip RA Type1 SMT CONN

68. Product No (产品料号):

AFE07-S**F*A-**

69. Project View (投影视角):

1 OF 1

70. Scale (比例):

1:1

71. Unit (单位):

MM

72. Tolerance Unspecified (未注公差):

0.0 ±0.15 0° ±5°

73. Tolerance Specified (指定公差):

0.00 ±0.10 0° ±3°

74. Tolerance Specified (指定公差):

0.000 ±0.05 0° ±1°

75. Product Name (产品名称):

0.3Pitch H=0.9 FPC/FPC Back-Flip RA Type1 SMT CONN

76. Product No (产品料号):

AFE07-S**F*A-**

77. Project View (投影视角):

1 OF 1

78. Scale (比例):

1:1

79. Unit (单位):

MM

80. Tolerance Unspecified (未注公差):

0.0 ±0.15 0° ±5°

81. Tolerance Specified (指定公差):

0.00 ±0.10 0° ±3°

82. Tolerance Specified (指定公差):

0.000 ±0.05 0° ±1°

83. Product Name (产品名称):

0.3Pitch H=0.9 FPC/FPC Back-Flip RA Type1 SMT CONN

84. Product No (产品料号):

AFE07-S**F*A-**

85. Project View (投影视角):

1 OF 1

86. Scale (比例):

1:1

87. Unit (单位):

MM

88. Tolerance Unspecified (未注公差):

0.0 ±0.15 0° ±5°

89. Tolerance Specified (指定公差):

0.00 ±0.10 0° ±3°

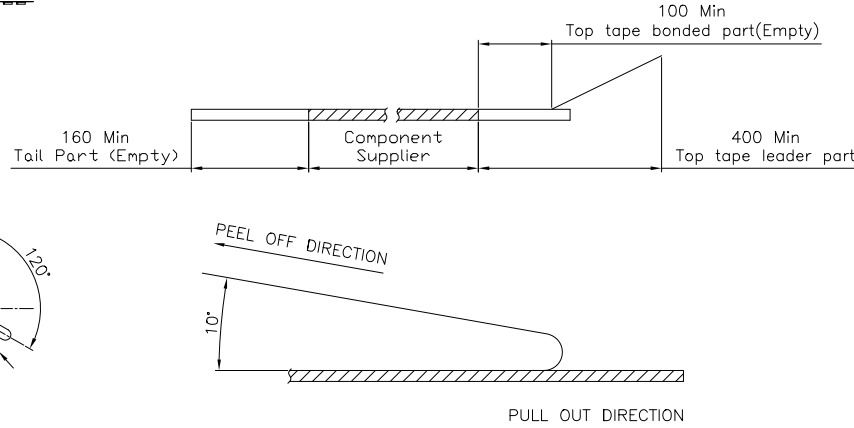
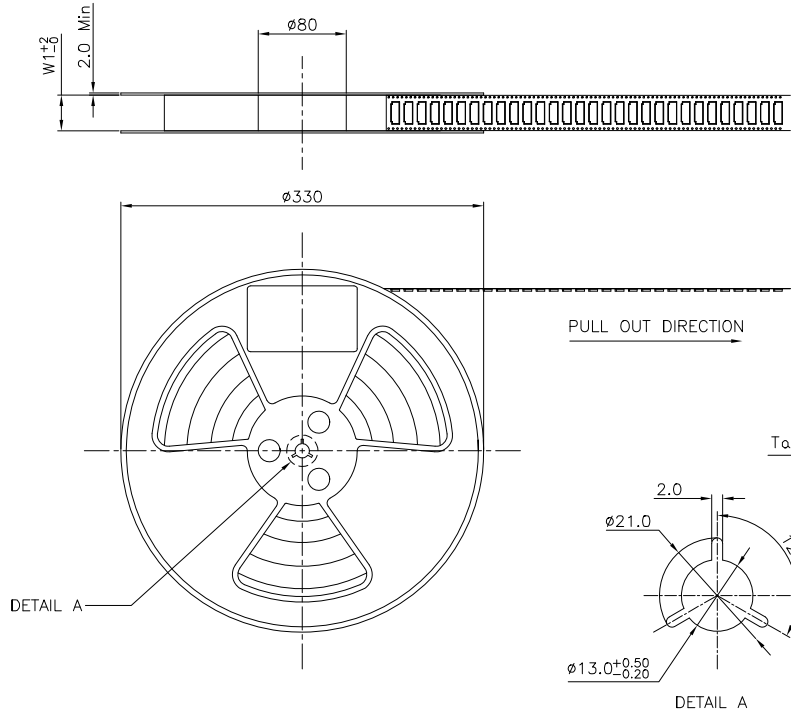
90. Tolerance Specified (指定公差):

0.000 ±0.05 0° ±1°

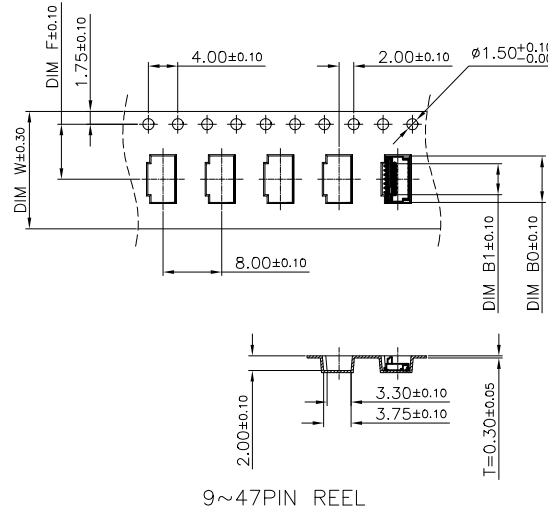
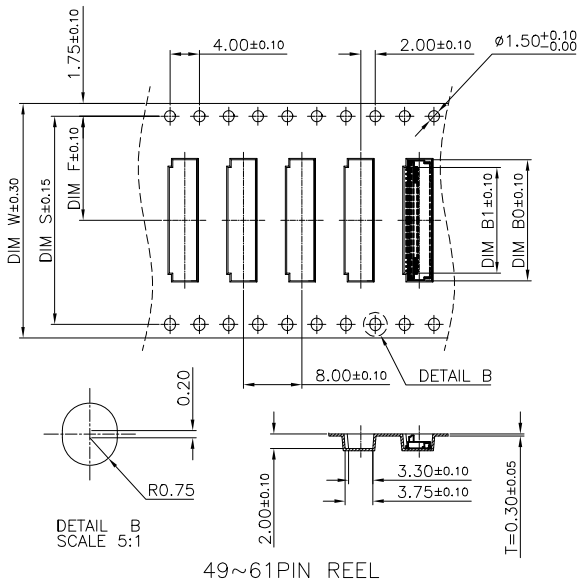
91. Product Name (产品名称):

0.3Pitch H=0.9 FPC/FPC Back-Flip RA Type1 SMT CONN

- NOTES:
1. 10 SPROCKET HOLE PITCH CUMULATIVE TOLERANCE.±0.20mm
 2. CARRIER CAMBER NOT TO EXCEED 1mm IN 250mm.
 3. ALL DIMENSIONS MEET EIA-481-D REQUIREMENTS.
 4. MATERIAL: BLACK ANTI-STATIC POLYSTYRENE.
 5. THICKNESS: 0.30 ± 0.05 mm.
 6. PACKING LENGTH PER 13" REEL: 28.60METERS.
 7. COMPONENT LOAD PER 13" REEL: 3500PCS
 8. PEELING OFF FORCE OF TOP TAPE 0.1N~0.7N(10.2gf~71.4gf).



CKTS	B0	B1	W	W1	F	S
9	4.50	2.40	16.00	16.40	7.50	单边孔
11	5.10	3.00				
13	5.70	3.60				
15	6.30	4.20				
17	6.90	4.80				
19	7.50	5.40				
21	8.10	6.00				
23	8.70	6.60				
25	9.30	7.20				
27	9.90	7.80				
29	10.50	8.40	24.00	24.40	11.50	
31	11.10	9.00				
33	11.70	9.60				
35	12.30	10.20				
37	12.90	10.80				
39	13.50	11.40				
41	14.10	12.00				
43	14.70	12.60				
45	15.30	13.20				
47	15.90	13.80				
49	16.50	14.40	32.00	32.40	14.20	28.40
51	17.10	15.00				
53	17.70	15.60				
55	18.30	16.20				
57	18.90	16.80				
59	19.50	17.40				
61	20.10	18.00				
63	20.70	18.60				
65	21.30	19.20				
67	21.90	19.80				
69	22.50	20.40				
71	23.10	21.00				



CLASSIFICATION DIMENSION (尺寸类别):
 FAL (首次检验): ⊗To ⊗
 ■ MARK IS MAJOR DIM (重点尺寸标示)
 ⊗ MARK IS CRITICAL DIM (Cpk&Cp标示)

Tolerance Unspecified (未注公差)	Size (图幅): A4
0.0 ±0.10 0° ±3°	Unit (单位): MM
0.00 ±0.05 0° 0 ±2°	Scale (比例): 1:1
0.000 ±0.02 0° 00 ±1°	Page (页数): 1 OF 1
Project View (投影视角)	Rev (版本): 1.0

深圳扬讯电子有限公司

Product Name (产品名称): 0.3Pitch H=0.9 FPC/FCC 后压卧式1代SMT型. 载带		
Product No (产品料号): EB-375XXX200-00		
Drawing No (图面编号): DNE00***_*	Date (日期): 2020/03/23	
Designer (设计): 张孝雄	Checked (审核):	Approved (核准):

1.0	初版发行	2020/03/23	张孝雄
Rev 版本	Change Description 变更内容	Date 日期	Revisor 制/修订人