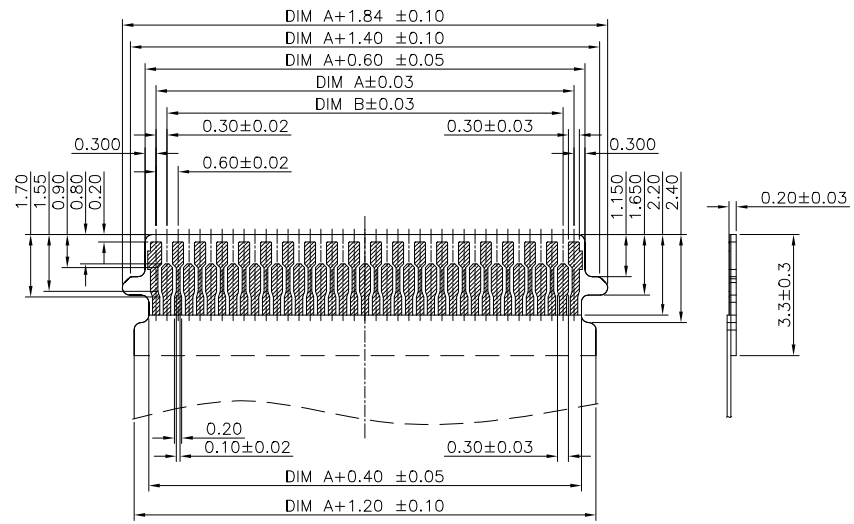
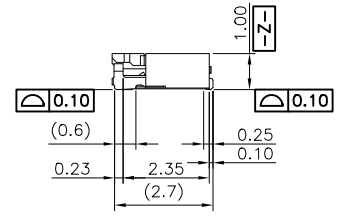
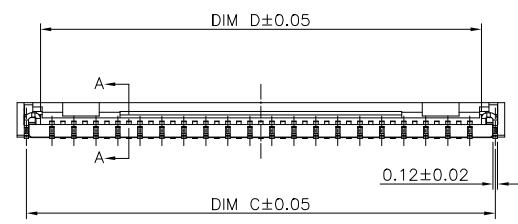
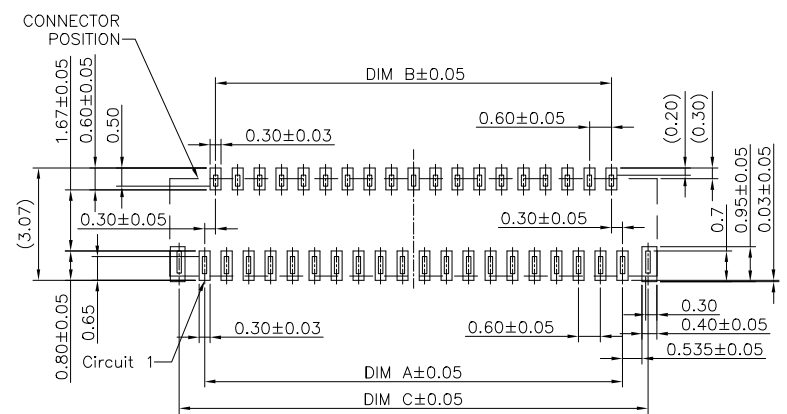


SECTION A-A  
SCALE 1:1



RECOMMENDED FPC/FFC DIMENSION



RECOMMENDED P.C.B PATTERN LAYOUT

- Note:
- Material:
    - Housing: thermoplastic high temp.UL94V-0; Color: natural
    - Latch: thermoplastic high temp.UL94V-0; Color: black.
    - Terminal: copper alloy.
    - Fitting Nail: copper alloy.
  - Finish:
    - Terminal:
      - 50~100u" Nickel under plating over all
      - 1:1u" Gold on contact and Solder Area
    - Fitting Nail:
      - 50~100u" Nickel under plating over all
      - 80~150u" Matte tin over all
  - Product must comply HF RoHS specification.
  - Product No:
 

|               |    |   |   |   |   |    |                 |
|---------------|----|---|---|---|---|----|-----------------|
| AFE05-S       | ** | F | * | * | - | ** | REMARKS         |
| CKTS          |    |   |   |   |   |    | RO:Halogen free |
| CONTACTS TYPE |    |   |   |   |   |    |                 |
| F:Lower       |    |   |   |   |   |    |                 |

PLATING  
I:Gold flash 1u"

PACKING  
A:Tape&Reel  
C:Tube

| CKTS | DIM A | DIM B | DIM C | DIM D | DIM E |
|------|-------|-------|-------|-------|-------|
| 11   | 3.00  | 2.40  | 4.39  | 3.63  | 4.90  |
| 13   | 3.60  | 3.00  | 4.99  | 4.23  | 5.50  |
| 15   | 4.20  | 3.60  | 5.59  | 4.83  | 6.10  |
| 17   | 4.80  | 4.20  | 6.19  | 5.43  | 6.70  |
| 19   | 5.40  | 4.80  | 6.79  | 6.03  | 7.30  |
| 21   | 6.00  | 5.40  | 7.39  | 6.63  | 7.90  |
| 23   | 6.60  | 6.00  | 7.99  | 7.23  | 8.50  |
| 25   | 7.20  | 6.60  | 8.59  | 7.83  | 9.10  |
| 27   | 7.80  | 7.20  | 9.19  | 8.43  | 9.70  |
| 29   | 8.40  | 7.80  | 9.79  | 9.03  | 10.30 |
| 31   | 9.00  | 8.40  | 10.39 | 9.63  | 10.90 |
| 33   | 9.60  | 9.00  | 10.99 | 10.23 | 11.50 |
| 35   | 10.20 | 9.60  | 11.59 | 10.83 | 12.10 |
| 37   | 10.80 | 10.20 | 12.19 | 11.43 | 12.70 |
| 39   | 11.40 | 10.80 | 12.79 | 12.03 | 13.30 |
| 41   | 12.00 | 11.40 | 13.39 | 12.63 | 13.90 |
| 43   | 12.60 | 12.00 | 13.99 | 13.23 | 14.50 |
| 45   | 13.20 | 12.60 | 14.59 | 13.83 | 15.10 |
| 47   | 13.80 | 13.20 | 15.19 | 14.43 | 15.70 |
| 49   | 14.40 | 13.80 | 15.79 | 15.03 | 16.30 |
| 51   | 15.00 | 14.40 | 16.39 | 15.63 | 16.90 |
| 53   | 15.60 | 15.00 | 16.99 | 16.23 | 17.50 |
| 55   | 16.20 | 15.60 | 17.59 | 16.83 | 18.10 |
| 57   | 16.80 | 16.20 | 18.19 | 17.43 | 18.70 |
| 59   | 17.40 | 16.80 | 18.79 | 18.03 | 19.30 |
| 61   | 18.00 | 17.40 | 19.39 | 18.63 | 19.90 |

**CUSTOMER DRAWING**

Tolerance Unspecified (未注公差)  
 0.0 ±0.25 0° ±5°  
 0.00 ±0.15 0° ±3°  
 0.000 ±0.05 0° ±1°

Size(图幅): A4  
 Unit(单位): MM  
 Scale(比例): 1:1  
 Project View (投影视角): 1 OF 1  
 Rev(版本): B

**深圳扬讯电子有限公司**

Product Name(产品名称): 0.3Pitch IH=1.0 FPC Easy-on R/A Type3 SMT CONN  
 Product No(产品料号): AFE05-S\*\*F\*\*\*-\*\*

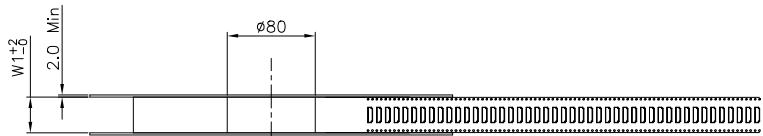
Designer(设计): 吴小光  
 Checked(审核):  
 Approved(核准):

| Rev | Date       | Revisor |
|-----|------------|---------|
| B   | 2019/08/17 | 吴小光     |
| A   | 2019/07/11 | 吴小光     |

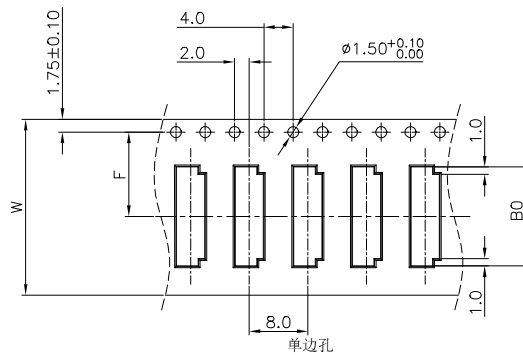
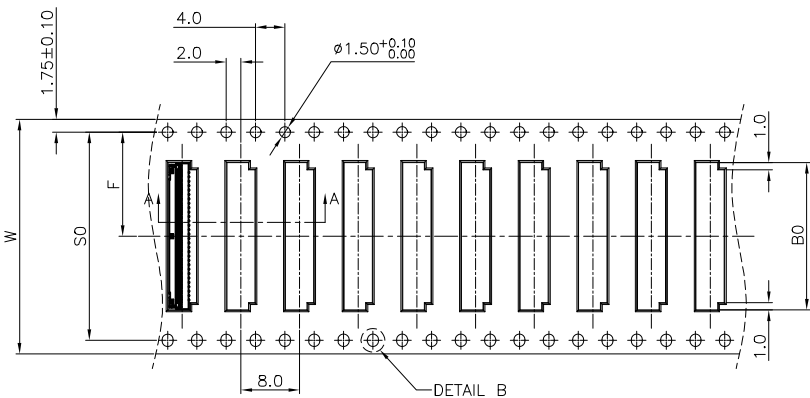
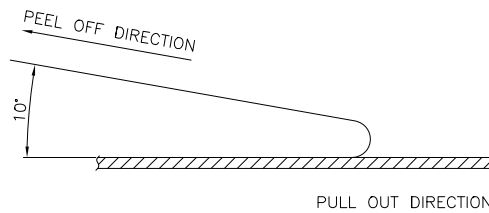
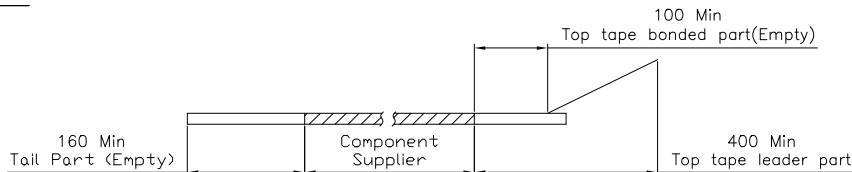
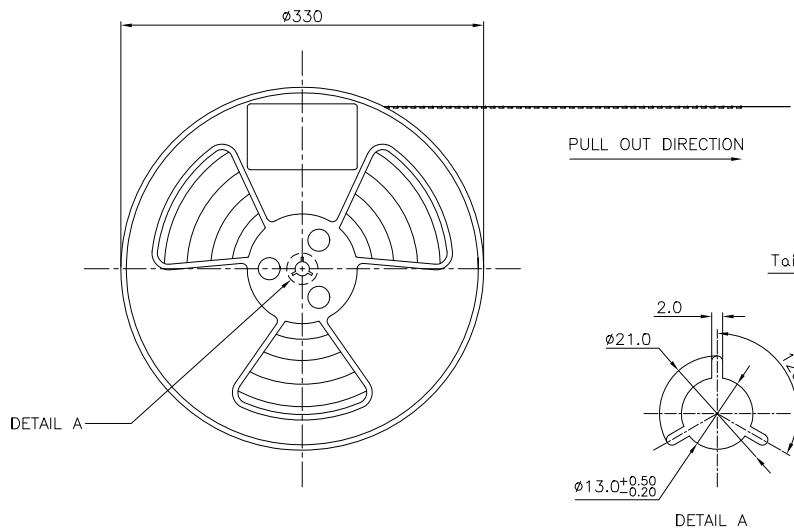
增加进胶口区分  
Original Issue  
Change Description  
变更内容

2019/08/17  
2019/07/11  
日期  
日期

吴小光  
吴小光  
制/修订人

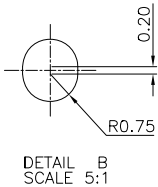
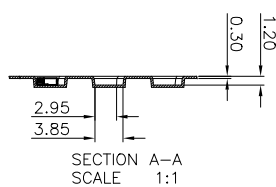


- NOTES:
1. 10 SPROCKET HOLE PITCH CUMULATIVE TOLERANCE.  $\pm 0.20\text{mm}$
  2. CARRIER CAMBER NOT TO EXCEED 1mm IN 250mm.
  3. ALL DIMENSIONS MEET EIA-481-C REQUIREMENTS.
  4. MATERIAL: BLACK ANTI-STATIC POLYSTYRENE.
  5. THICKNESS:  $0.30 \pm 0.05 \text{ mm}$ .
  6. PACKING LENGTH PER 13" REEL : 40.40METERS.
  7. COMPONENT LOAD PER 13" REEL : 5000PCS.
  8. PEELING OFF FORCE OF TOP TAPE 0.1N~0.7N(10.2gf~71.4gf).



| CKTS | B0 $\pm 0.10$ | W             | W1   | F $\pm 0.10$ | S0 $\pm 0.10$ |
|------|---------------|---------------|------|--------------|---------------|
| 11   | 5.10          | 16+/-0.15     | 16.4 | 7.5          | 7.5           |
| 13   | 5.70          |               |      |              |               |
| 15   | 6.30          |               |      |              |               |
| 17   | 6.90          |               |      |              |               |
| 19   | 7.50          |               |      |              |               |
| 21   | 8.10          |               |      |              |               |
| 23   | 8.70          | 24+/-0.15     | 24.4 | 11.5         | 11.5          |
| 25   | 9.30          |               |      |              |               |
| 27   | 9.90          |               |      |              |               |
| 29   | 10.50         |               |      |              |               |
| 31   | 11.10         |               |      |              |               |
| 33   | 11.70         |               |      |              |               |
| 35   | 12.30         |               |      |              |               |
| 37   | 12.90         |               |      |              |               |
| 39   | 13.50         |               |      |              |               |
| 41   | 14.10         |               |      |              |               |
| 43   | 14.70         | 32 $\pm 0.30$ | 32.4 | 14.2         | 28.4          |
| 45   | 15.30         |               |      |              |               |
| 51   | 17.10         |               |      |              |               |
| 53   | 17.70         |               |      |              |               |
| 55   | 18.30         |               |      |              |               |
| 57   | 18.90         |               |      |              |               |
| 59   | 19.50         |               |      |              |               |
| 61   | 20.10         |               |      |              |               |

单边孔



CLASSIFICATION DIMENSION (尺寸类别):  
 FAI (首次检验):  $\odot$  To  $\odot$   
 ■ MARK IS MAJOR DIM (重点尺寸标示)  
 ● MARK IS CRITICAL DIM (Cpk&Cp标示)

Tolerance Unspecified (未注公差):  
 0.0  $\pm 0.10$  0°  $\pm 3^\circ$   
 0.00  $\pm 0.05$  0° 0  $\pm 2^\circ$   
 0.000  $\pm 0.02$  0° 00  $\pm 1^\circ$

Size (图幅): A4  
 Unit (单位): MM  
 Scale (比例): 1 : 1

Project View (投影视角): 1 OF 1  
 Rev (版本): 1.0

# 深圳扬讯电子有限公司

Product Name (产品名称): 0.3Pitch H=1.0 FPC 掀盖卧式3代SMT型, 载带(仁宝反向)

Product No (产品料号): EB-385XXX120-03

Drawing No (图面编号): DNE00102-1 Date (日期): 2019/07/11

Designer (设计): 吴小光 Checked (审核): Approved (核准):

| Rev 版本 | Date 日期    | Revisor 制/修订人 |
|--------|------------|---------------|
| 1.0    | 2019/07/11 | 吴小光           |
|        |            |               |

