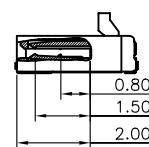
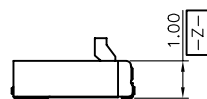
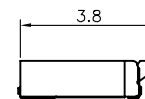


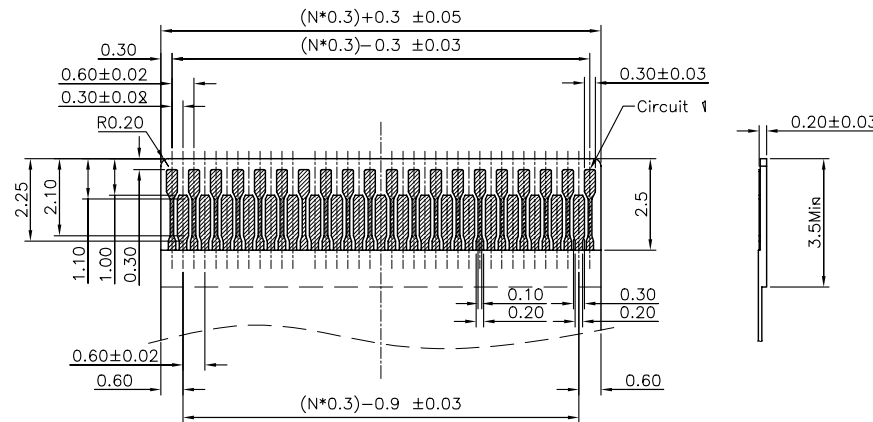
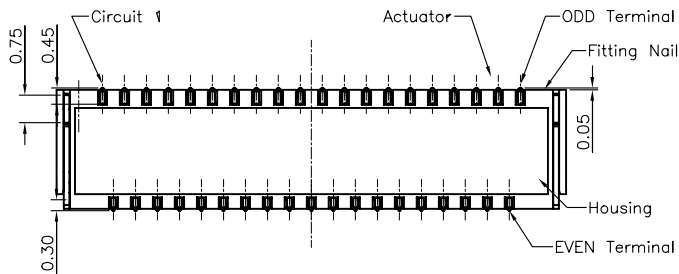
RECOMMENDED P.C.B PATTERN LAYOUT



SECTION A-A SCALE 1:1



SECTION A-A SCALE 1:1



RECOMMENDED FPC/FFC DIMENSION

- Note:**
- Material:
 - Housing: thermoplastic high temp.UL94V-0; Color: natural.
 - Actuator: thermoplastic high temp.UL94V-0; Color: black.
 - EVEN Terminal: copper alloy T=0.12mm
 - ODD Terminal: copper alloy T=0.12mm
 - Fitting Nail: copper alloy T=0.15mm
 - Finsh:
 - Terminal:
 - Underplating: Gold flash overall.
 - Fitting Nail:
 - Underplating: matt Tin overall.
 - Product must comply HF RoHS specification.

CKTS	DIM A	DIM B	DIM C	DIM D	DIM E
9	2.40	1.80	4.35	3.05	4.90
11	3.00	2.40	4.95	3.65	5.50
13	3.60	3.00	5.55	4.25	6.10
15	4.20	3.60	6.15	4.85	6.70
17	4.80	4.20	6.75	5.45	7.30
19	5.40	4.80	7.35	6.05	7.90
21	6.00	5.40	7.95	6.65	8.50
23	6.60	6.00	8.55	7.25	9.10
25	7.20	6.60	9.15	7.85	9.70
27	7.80	7.20	9.75	8.45	10.30
29	8.40	7.80	10.35	9.05	10.90
31	9.00	8.40	10.95	9.65	11.50
33	9.60	9.00	11.55	10.25	12.10
35	10.20	9.60	12.15	10.85	12.70
37	10.80	10.20	12.75	11.45	13.30
39	11.40	10.80	13.35	12.05	13.90
41	12.00	11.40	13.95	12.65	14.50
43	12.60	12.00	14.55	13.25	15.10
45	13.20	12.60	15.15	13.85	15.70
47	13.80	13.20	15.75	14.45	16.30
49	14.40	13.80	16.35	15.05	16.90
51	15.00	14.40	16.95	15.65	17.50
53	15.60	15.00	17.55	16.25	18.10
55	16.20	15.60	18.15	16.85	18.70
57	16.80	16.20	18.75	17.45	19.30
59	17.40	16.80	19.35	18.05	19.90
61	18.00	17.40	19.95	18.65	20.50
63	18.60	18.00	20.55	19.25	21.10
65	19.20	18.60	21.15	19.85	21.70
67	19.80	19.20	21.75	20.45	22.30
69	20.40	19.80	22.35	21.05	22.90
71	21.00	20.40	22.95	21.65	23.50

CUSTOMER DRAWING		深圳扬讯电子有限公司	
Tolerance (未注公差): 0.0 ±0.15 0° ±5° 0.00 ±0.10 0° ±3° 0.000 ±0.05 0° ±1°	Size (图幅): A4 Unit (单位): MM Scale (比例): 1:1	Product Name (产品名称): 0.3Pitch H=1.0 FPC Easy-on CONN R/A SMT Type Back-Flip	
Project View (投影视角): 1 OF 1	Page (页数): 1 OF 1	Product No (产品料号): AFE03-S**F1A-00	
Rev (版本): 1.0	Date (日期): 2012/01/03	Designer (设计): Allan	Checked (审核): Allan 01/03'12
Change Description (变更内容): 初版发行	Revisor (制/修订人): Allan	Approved (核准):	

1.0	初版发行	2012/01/03	Allan
Rev 版本	Change Description 变更内容	Date 日期	Revisor 制/修订人