

Note:

1. Material:

- 1.1 Housing: thermoplastic high temp.UL94V-0; Color: natural.
- 1.2 Latch: thermoplastic high temp.UL94V-0; Color: black.
- 1.3 Terminal: copper alloy.
- 1.4 Fitting Nail: copper alloy.

2. Finish:

- 2.1 Terminal:
Underplating: Au/matt Tin overall.
- 2.2 Fitting Nail:
Underplating: matt Tin overall.

3. Product must comply HF RoHS specification.

4. Product No:

AFD02-S ** F * A - 00
 CKTS
 CONTACTS TYPE
 F:Lower
 H:Double Lower
 PLATING
 1:Gold flash 1u"
 2:Gold flash 2u"
 3:Gold flash 3u"
 B:Bright-Tin 90-120u"
 C:Matt-Tin 90-120u"

REMARKS
JK:Halogen free

PACKING
A:Tape&Reel
C:Tube

Electrical

Voltage:50 V AC(rms)/DC

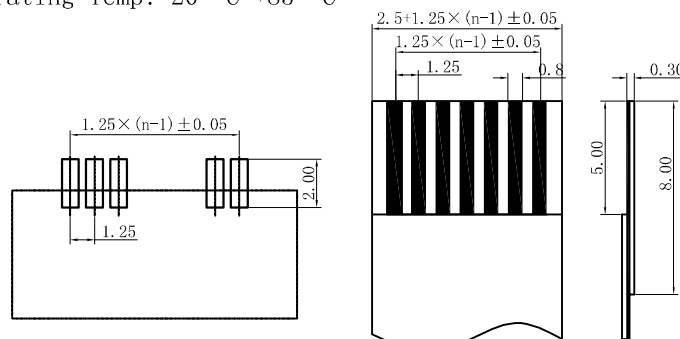
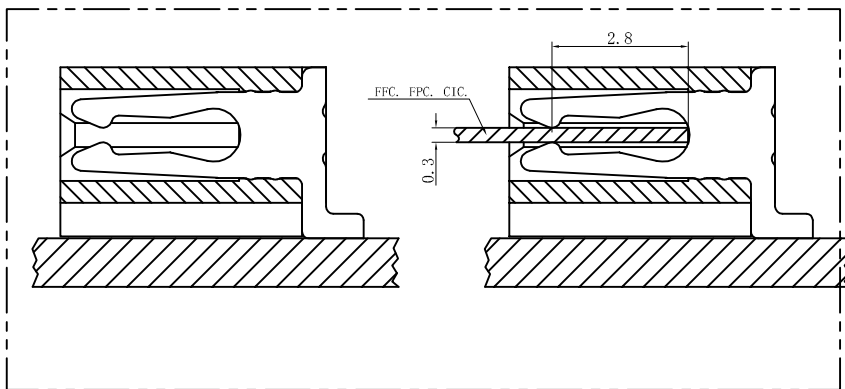
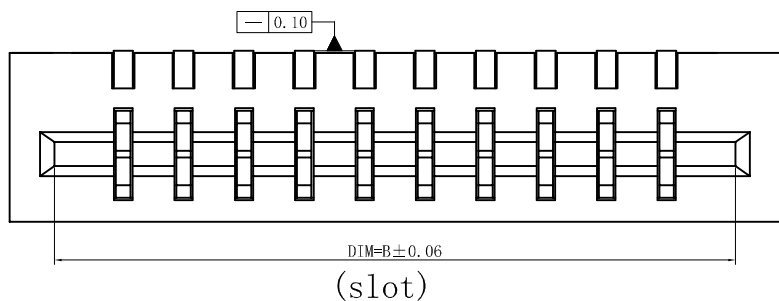
Current:0.5 A AC(rms)/DC

Contact Resistance:20 mΩ max(initial)

Dielectric Withstanding Voltage:250 V AC/rms

Insulation Resistance:50 MΩ min

Operating Temp:-20° C~+85° C



P数	DIM=A	DIM=B	DIM=C
4	3.750	6.500	8.450
5	5.000	7.750	9.700
6	6.250	9.000	10.950
7	7.500	10.250	12.200
8	8.750	11.500	13.450
9	10.000	12.750	14.700
10	11.250	14.000	15.950
11	12.500	15.250	17.200
12	13.750	16.500	18.450
13	15.000	17.750	19.700
14	16.250	19.000	20.950
15	17.500	20.250	22.200
16	18.750	21.500	23.450
17	20.000	22.750	24.700
18	21.250	24.000	25.950
19	22.500	25.250	27.200
20	23.750	26.500	28.450
21	25.000	27.750	29.700
22	26.250	29.000	30.950
23	27.500	30.250	32.200
24	28.750	31.500	33.450
25	30.000	32.750	34.700
26	31.250	34.000	35.950
27	32.500	35.250	37.200
28	33.750	36.500	38.450
29	35.000	37.750	39.700
30	36.250	39.000	40.950
31	37.500	40.250	42.200
32	38.750	41.500	43.450
33	40.000	42.750	44.700

CUSTOMER DRAWING		深圳扬讯电子有限公司	
Dimension (未注公差): ±0.15 0° ±5° ±0.10 0°0 ±3° ±0.05 0°00 ±1°	Size (图幅): A4 Unit (单位): MM Scale (比例): 1 : 1	Product Name (产品名称): FPC 1.25 SMT 双面卧贴	
Project View (投影视角): 1 OF 1	Page (页数): 1 OF 1	Product No (产品料号): AFD02-S**F**-*	
Rev (版本):	Rev (版本): A	Designer (设计): Allan 09/15/12	Checked (审核): Approved (核准):

Rev	Change Description	Date	Revisor
1	初版发行	2012/09/15	Allan
2	变更内容	日期	制/修订人