

RECOMMENDED FPC LAYOUT

NOTES:

1. MATERIAL:

- 1.1 HOUSING:THERMOPLASTIC HIGH TEMP.UL94V-0;
- 1.2 LATCH:THERMOPLASTIC HIGH TEMP.UL94V-0;
- 1.3 CONTACT:COPPER ALLOY;
- 1.4 FITTING NAIL:COPPER ALLOY;

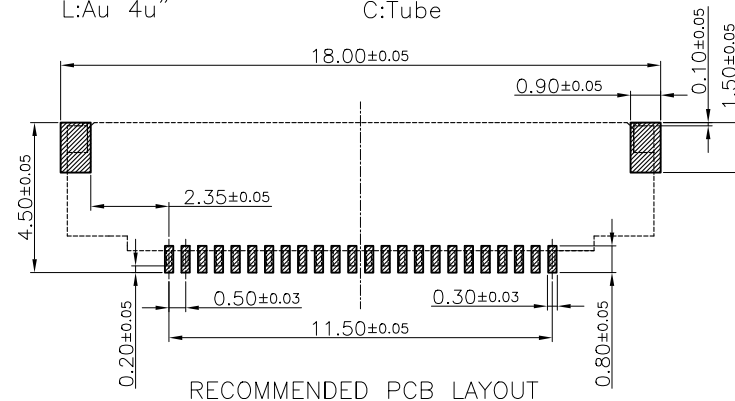
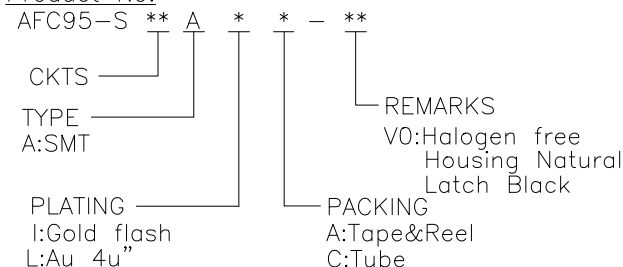
2. FINISH:

- 2.1 Terminal:
  - 50u"Min Nickel under plating over all
  - l:Gold flash on contact and solder area.
  - L:4u"Gold on contact and 2u"Gold on solder area.
- 2.2 Fitting Nail:
  - 50u"Min Nickel under plating over all
  - 80~150u" Matte-Tin over all.

3. Product must comply HF RoHS specification.

4. Margin SPEC: |ML-MR|≤0.05mm

5. Product No:



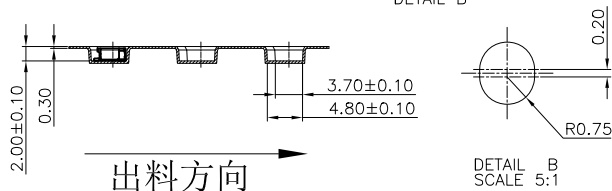
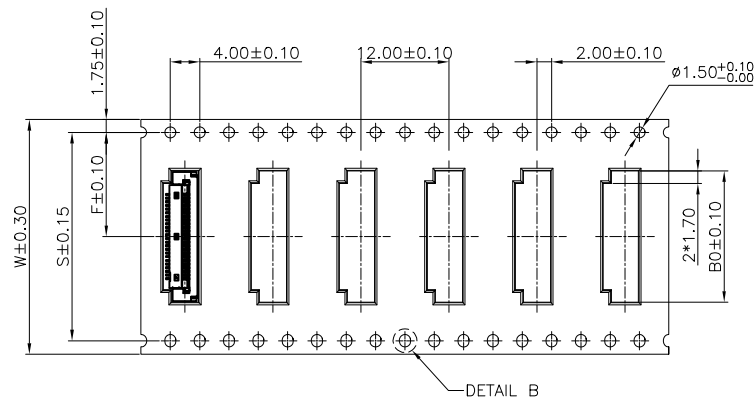
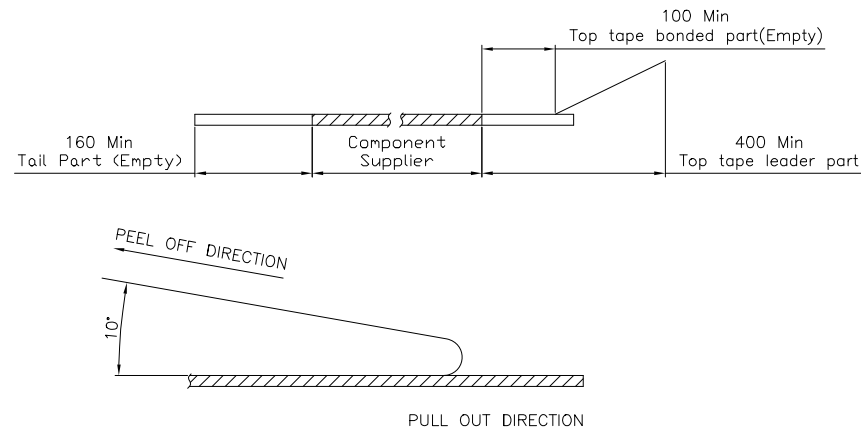
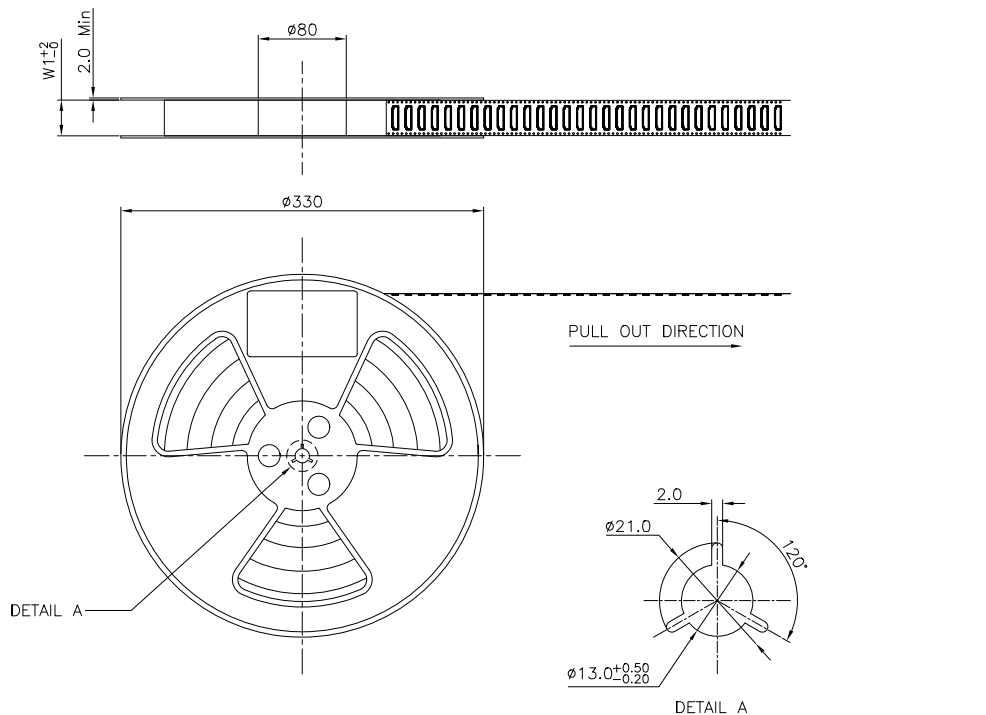
RECOMMENDED PCB LAYOUT

|                              |                         |  |               |
|------------------------------|-------------------------|--|---------------|
| CUSTOMER DRAWING             |                         | 深圳扬讯电子有限公司   |               |
| Tolerance Unspecified (未注公差) | Size(图幅):               | Product Name(产品名称):                                  |               |
| 0.0 ±0.25 0° ±5°             | Unit(单位):               | 0.5Pitch H=1.70 FPC/FFC Back-Flip R/A SMT TYPE1 CONN |               |
| 0.00 ±0.15 0° 0 ±3°          | MM                      | Product No(产品料号):                                    |               |
| 0.000 ±0.10 0° 00 ±1°        | Scale(比例):              | AFC95-S**A**-**                                      |               |
| 1:1                          | Page(页数):               | Designer(设计):  | Checked(审核):  |
| Project View (投影视角)          | 1 OF 1                  | 张孝雄  |               |
| Rev 版本                       | Change Description 变更内容 | Date 日期  | Revisor 制/修订人 |
| A                            | Original Issue          | 2021/04/27   | 张孝雄           |

|        |                         |            |               |
|--------|-------------------------|------------|---------------|
| Rev 版本 | Change Description 变更内容 | Date 日期    | Revisor 制/修订人 |
| A      | Original Issue          | 2021/04/27 | 张孝雄           |

NOTES:

1. 10 SPROCKET HOLE PITCH CUMULATIVE TOLERANCE.±0.20mm
2. CARRIER CAMBER NOT TO EXCEED 1mm IN 250mm.
3. ALL DIMENSIONS MEET EIA-481-C REQUIREMENTS.
4. MATERIAL: BLACK ANTI-STATIC POLYSTYRENE.
5. THICKNESS: 0.30 ± 0.05 mm.
6. PACKING LENGTH PER 13" REEL : 30.60METERS.
7. COMPONENT LOAD PER 13" REEL : 2500PCS.
8. PEELING OFF FORCE OF TOP TAPE 0.1N~0.7N(10.2gf~71.4gf).



|   |       |                         |       |  |       |
|---|-------|-------------------------|-------|--|-------|
| CKTS  | B0    | W                       | W1    | F  | S     |
| 24  | 17.90 | 32.00                   | 32.40 | 14.20  | 28.40 |
| CLASSIFICATION DIMENSION (尺寸类别):<br>FAI (首次检验): ☉ To ☉<br>■ MARK IS MAJOR DIM (重点尺寸标示)<br>● MARK IS CRITICAL DIM (Cpk&Cp标示) |       |                         |       |  |       |
| <b>深圳扬讯电子有限公司</b>   |       |                         |       |  |       |
| Tolerance Unspecified (未注公差)  |       | Size (图幅): A4           |       | Product Name (产品名称): 0.5Pitch H=1.70 FPC/FPC 后掀卧式1代SMT型 载带 |       |
| 0.0 ±0.10 0° ±3°  |       | Unit (单位): MM           |       | Product No (产品料号): EB-480XXX200-00                         |       |
| 0.00 ±0.05 0° 0 ±2°   |       | Scale (比例): 1:1         |       | Drawing No (图面编号): DNE00***-*                              |       |
| 0.000 ±0.02 0° 00 ±1°   |       | Page (页数): 1 OF 1       |       | Date (日期): 2021/06/15                                      |       |
| Project View (投影视角)   |       | Rev (版本): 1.0           |       | Designer (设计): 吴小光   |       |
| 1.0 初版发行  |       | 2021/06/15 吴小光          |       | Checked (审核):  |       |
| Rev 版本  |       | Change Description 变更内容 |       | Date 日期  |       |
|   |       | Revisor 制/修订人           |       | Approved (核准):   |       |

|        |                         |            |               |
|--------|-------------------------|------------|---------------|
| 1.0    | 初版发行                    | 2021/06/15 | 吴小光           |
| Rev 版本 | Change Description 变更内容 | Date 日期    | Revisor 制/修订人 |