

SECTION TERMINAL  
SCALE 2:1

Note:

1. Material:
  - 1.1 Housing: thermoplastic high temp.UL94V-0; Color: natural.
  - 1.2 Latch: thermoplastic high temp.UL94V-0; Color: black.
  - 1.3 Terminal: copper alloy.
  - 1.4 Fitting Nail: copper alloy.
  - 1.5 Lock: copper alloy.

2. Finish:

- 2.1 Terminal:
  - 50~100u" Nickel under plating over all
  - !:Gold flash on contact and solder area
  - K:3u" Gold on contact and Gold Flash on Solder area

2.2 Fitting Nail:

- 50~100u" Nickel under plating over all
- 50~120u" Matte tin over all

2.3 Lock:

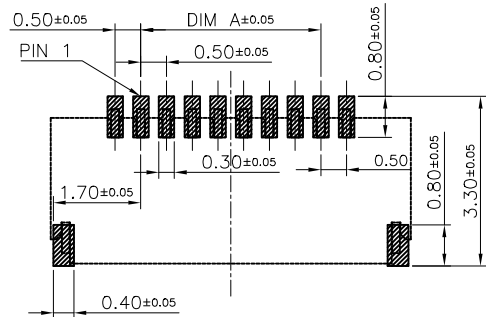
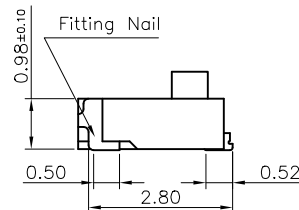
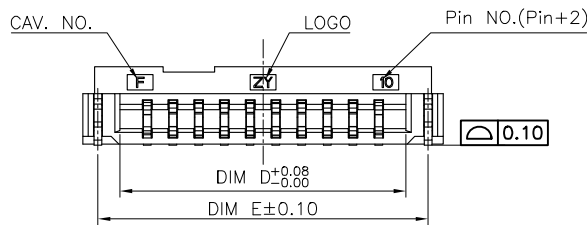
- 50~100u" Nickel under plating over all
- Gold Flash on Solder over Nickel

3. Product must comply HF RoHS specification.

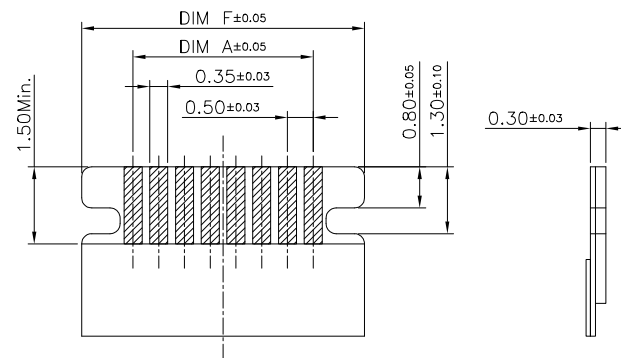
4. Package PLS. refer to

5. Product No:

AFC91-S  
 CKTS      \*\* F \* \* - \*\* REMARKS  
 CONTACTS TYPE      HF:Halogen free  
 F:Upper & Lower  
 PLATING      PACKING  
 !:Gold flash A:Tape&Reel  
 K:Gold 3u" C:Tube



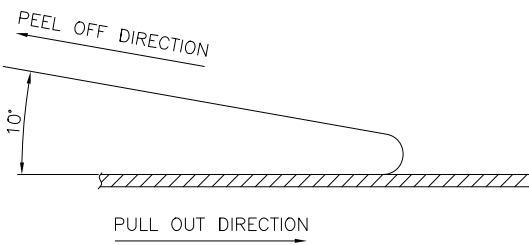
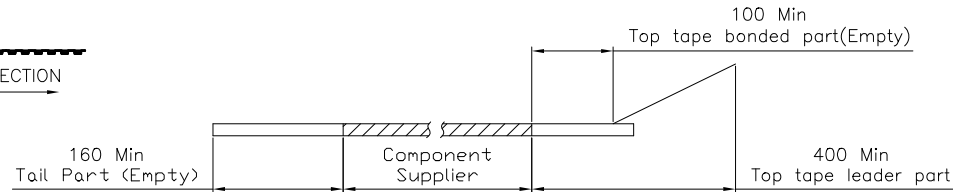
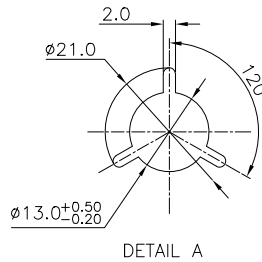
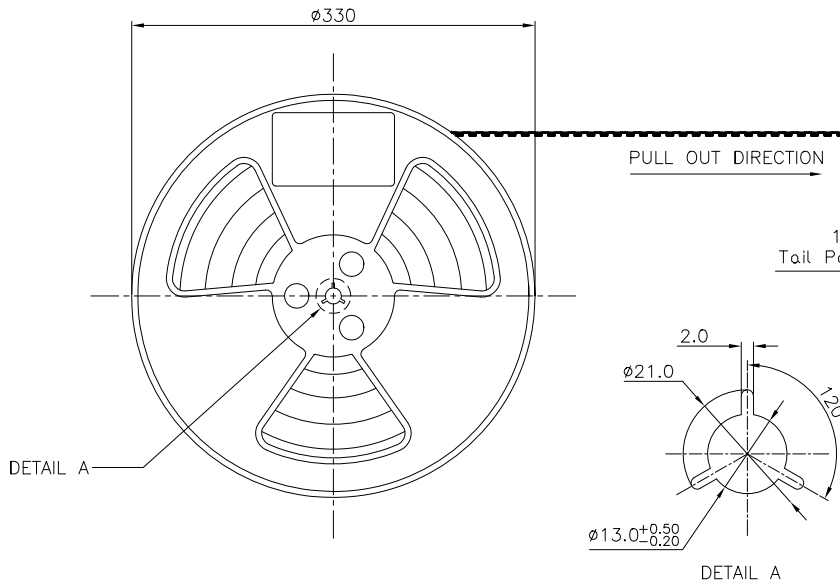
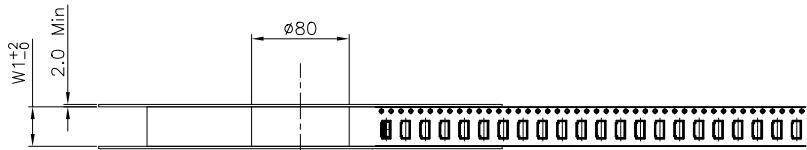
RECOMMENDED PCB LAYOUT



CKTS	DIM A	DIM B	DIM C	DIM D	DIM E	DIM F
4	1.50	2.50	5.00	3.56	4.42	3.50
6	2.50	3.50	6.00	4.56	5.42	4.50
8	3.50	4.50	7.00	5.56	6.42	5.50
10	4.50	5.50	8.00	6.56	7.42	6.50
12	5.50	6.50	9.00	7.56	8.42	7.50
14	6.50	7.50	10.00	8.56	9.42	8.50
16	7.50	8.50	11.00	9.56	10.42	9.50
18	8.50	9.50	12.00	10.56	11.42	10.50
20	9.50	10.50	13.00	11.56	12.42	11.50
22	10.50	11.50	14.00	12.56	13.42	12.50
24	11.50	12.50	15.00	13.56	14.42	13.50
26	12.50	13.50	16.00	14.56	15.42	14.50
28	13.50	14.50	17.00	15.56	16.42	15.50

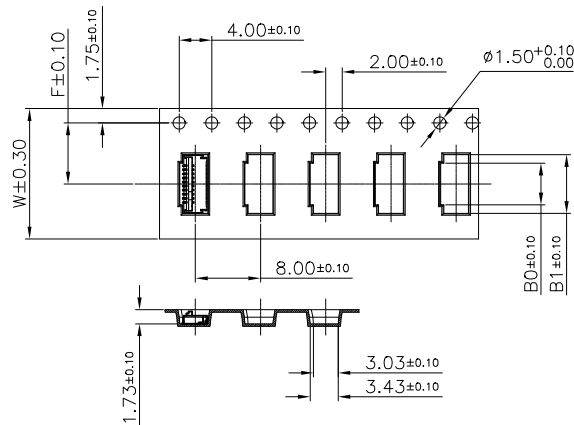
CUSTOMER DRAWING		<b>深圳扬讯电子有限公司</b>	
Tolerance Unspecified (未注公差)	Size(图幅): A4	Product Name(产品名称):	
0. ±0.5 0.0 ±0.25	Unit(单位): MM	0.5Pitch H=1.0 FPC/FPC Back-Flip R/A Type8 SMT CONN	
0.00 ±0.15 0.000 ±0.10	Scale(比例): 1:1	Product No(产品料号): AFC91-S**F***	
ANGLES ±2°	Page(页数): 1 OF 1	Designer(设计): 吴小光	Checked(审核):
Project View (投影视角)	Rev(版本): A	Approved(核准):	

Rev 版本	初版发行	2020/12/10	吴小光
	Change Description 变更内容	Date 日期	Revisor 制/修订人



NOTES:

1. 10 SPROCKET HOLE PITCH CUMULATIVE TOLERANCE  $\pm 0.20\text{mm}$
2. CARRIER CAMBER NOT TO EXCEED 1mm IN 250mm.
3. ALL DIMENSIONS MEET EIA-481-C REQUIREMENTS.
4. MATERIAL: WHITE ANTI-STATIC POLYSTYRENE.
5. THICKNESS:  $0.30 \pm 0.05 \text{ mm}$ .
6. PACKING LENGTH PER 13" REEL : 32.60 METERS.
7. COMPONENT LOAD PER 13" REEL : 4000 PCS.
8. PEELING OFF FORCE OF TOP TAPE 0.1N~0.7N(10.2gf~71.4gf).



CKTS	B0 ± 0.10	B1 ± 0.10	W	W1	F ± 0.10
8	5.10	7.20	16 ± 0.3	16.4	7.5

CLASSIFICATION DIMENSION (尺寸类别):  
 FAI (首次检验): ☉ To ☉  
 ■ \* MARK IS MAJOR DIM (重点尺寸标示)  
 \* ☉ \* MARK IS CRITICAL DIM (Cpk&Cp 标示)

**深圳扬讯电子有限公司**

Tolerance Unspecified (未注公差):  
 0.0 ± 0.10 0° ± 3°  
 0.00 ± 0.05 0° 0 ± 2°  
 0.000 ± 0.02 0° 00 ± 1°

Product Name (产品名称):  
 0.5Pitch H=1.0 FPC 后压脚式9代SMT型. 载带

Product No (产品料号):  
 EB-343XXX173-02

Project View (投影视角):  
 1 OF 1

Drawing No (图面编号):  
 DNE000\*#\*-\*

Date (日期):  
 2020/12/10

1.0	初版发行	2020/12/10	吴小光
Rev 版本	Change Description 变更内容	Date 日期	Revisor 制/修订人



Designer (设计):  
 吴小光

Checked (审核):

Approved (核准):