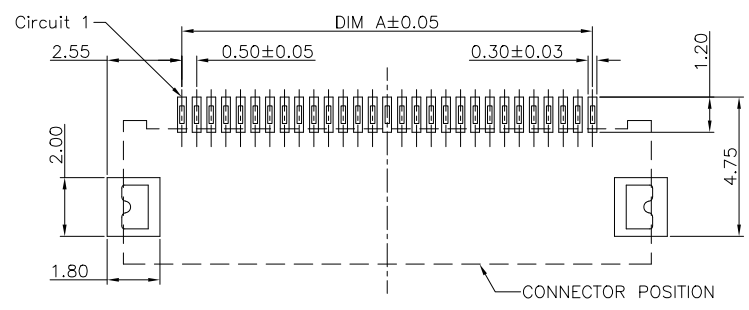
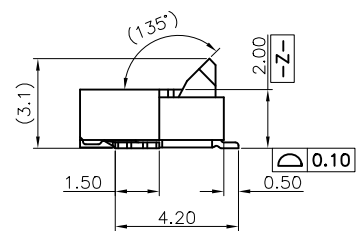
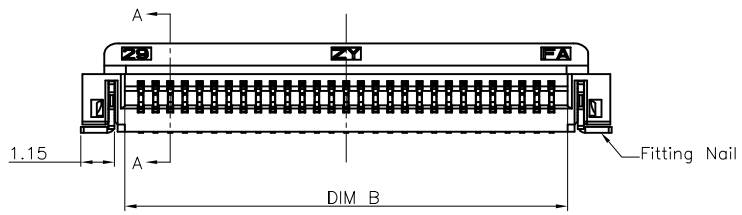
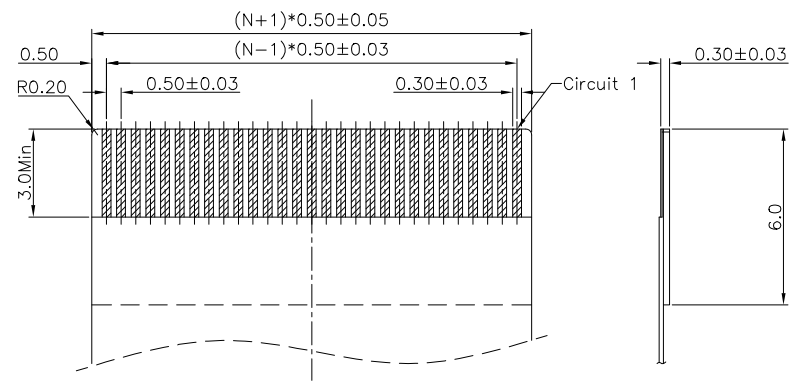


SECTION A-A
SCALE 1:1



RECOMMENDED P.C.B. PATTERN LAYOUT



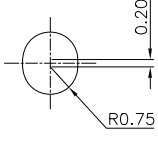
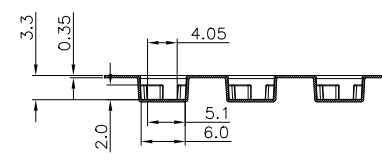
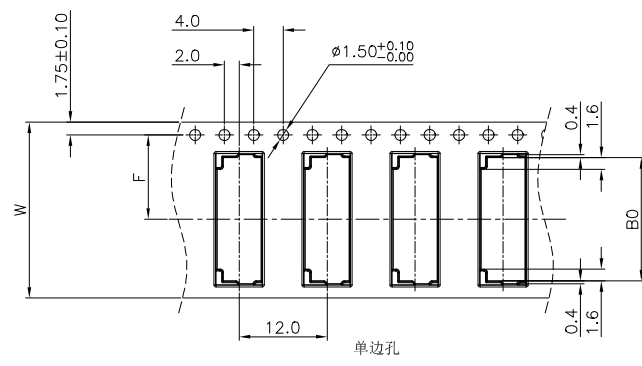
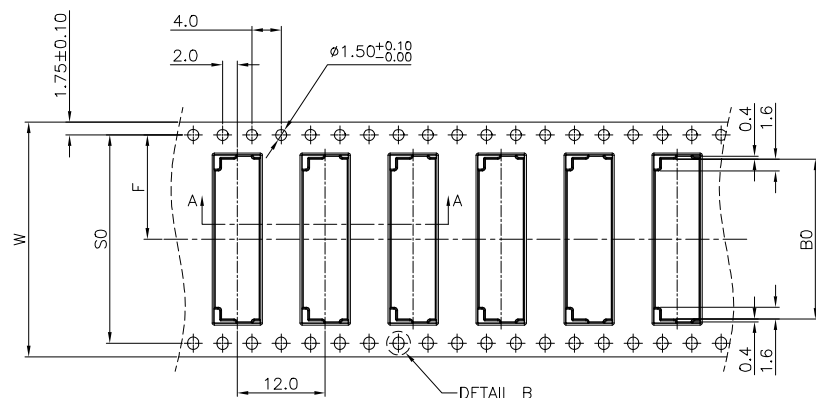
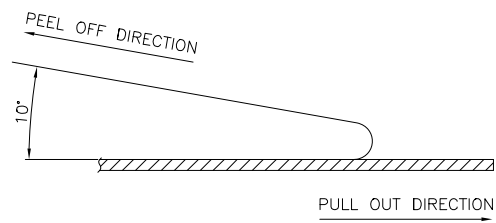
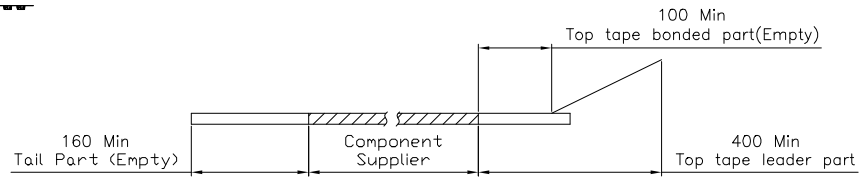
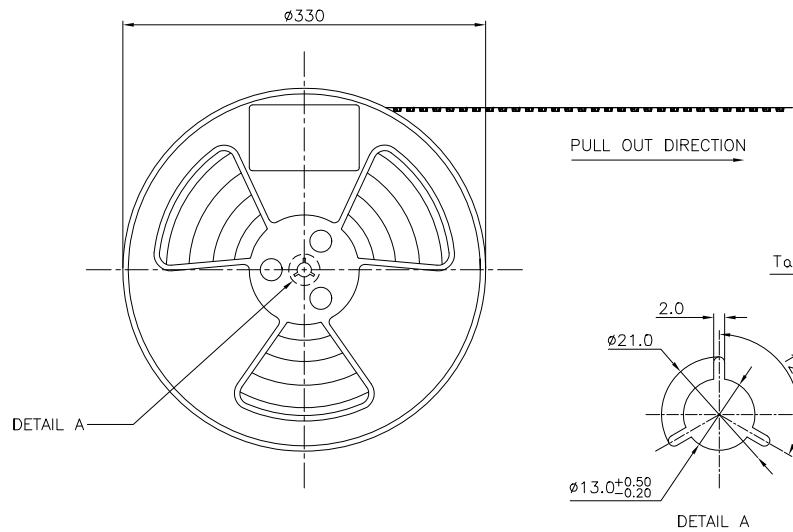
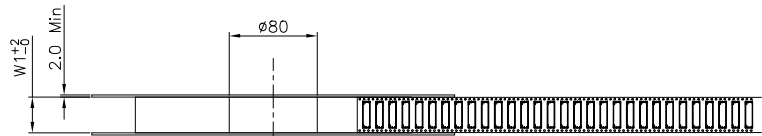
RECOMMENDED FPC/FFC DIMENSION

Note:
 1. Material:
 1.1 Housing: thermoplastic high temp.UL94V-0; Color: natural.
 1.2 Latch: thermoplastic high temp.UL94V-0; Color: black.
 1.3 Terminal: copper alloy.
 1.4 Fitting Nail: copper alloy.
 2. Finish:
 2.1 Terminal:
 Underplating: Au/Matte Tin overall.
 2.2 Fitting Nail:
 Underplating: Matte Tin overall.
 3. Product must comply HF RoHS specification.
 4. Product No:
 AFC24-S ** F * * - **
 CKTS CONTACTS TYPE F * * - ** REMARKS HF:Halogen free
 F:Lower
 PLATING
 1:Gold 1u"
 2:Gold 2u"
 3:Gold 3u"
 B:Bright-Tin 90-120u"
 C:Matte-Tin 90-120u"
 I:Gold flash
 PACKING
 A:Tape&Reel
 C:Tube

CKTS	DIM A	DIM B	DIM C	DIM D
4	1.50	2.60	5.50	5.60
5	2.00	3.10	6.00	6.10
6	2.50	3.60	6.50	6.60
7	3.00	4.10	7.00	7.10
8	3.50	4.60	7.50	7.60
9	4.00	5.10	8.00	8.10
10	4.50	5.60	8.50	8.60
11	5.00	6.10	9.00	9.10
12	5.50	6.60	9.50	9.60
13	6.00	7.10	10.00	10.10
14	6.50	7.60	10.50	10.60
15	7.00	8.10	11.00	11.10
16	7.50	8.60	11.50	11.60
17	8.00	9.10	12.00	12.10
18	8.50	9.60	12.50	12.60
19	9.00	10.10	13.00	13.10
20	9.50	10.60	13.50	13.60
21	10.00	11.10	14.00	14.10
22	10.50	11.60	14.50	14.60
23	11.00	12.10	15.00	15.10
24	11.50	12.60	15.50	15.60
25	12.00	13.10	16.00	16.10
26	12.50	13.60	16.50	16.60
27	13.00	14.10	17.00	17.10
28	13.50	14.60	17.50	17.60
29	14.00	15.10	18.00	18.10
30	14.50	15.60	18.50	18.60
31	15.00	16.10	19.00	19.10
32	15.50	16.60	19.50	19.60
33	16.00	17.10	20.00	20.10
34	16.50	17.60	20.50	20.60
35	17.00	18.10	21.00	21.10
36	17.50	18.60	21.50	21.60
37	18.00	19.10	22.00	22.10
38	18.50	19.60	22.50	22.60
39	19.00	20.10	23.00	23.10
40	19.50	20.60	23.50	23.60
41	20.00	21.10	24.00	24.10
42	20.50	21.60	24.50	24.60
43	21.00	22.10	25.00	25.10
44	21.50	22.60	25.50	25.60
45	22.00	23.10	26.00	26.10
46	22.50	23.60	26.50	26.60
47	23.00	24.10	27.00	27.10
48	23.50	24.60	27.50	27.60
49	24.00	25.10	28.00	28.10
50	24.50	25.60	28.50	28.60
51	25.00	26.10	29.00	29.10
52	25.50	26.60	29.50	29.60
53	26.00	27.10	30.00	30.10
54	26.50	27.60	30.50	30.60
55	27.00	28.10	31.00	31.10
56	27.50	28.60	31.50	31.60
57	28.00	29.10	32.00	32.10
58	28.50	29.60	32.50	32.60
59	29.00	30.10	33.00	33.10
60	29.50	30.60	33.50	33.60

CUSTOMER DRAWING		深圳扬讯电子有限公司	
Tolerance Unspecified (未注公差)	Size(图幅): A4	Product Name(产品名称):	
0.0 ±0.15 0° ±5°	Unit(单位): MM	0.5Pitch H=2.0 FPC Back-Flip R/A Type1 SMT CONN	
0.00 ±0.10 0° 0° ±3°	Scale(比例): 1:1	Product No(产品料号):	
0.000 ±0.05 0° 0.00 ±1°	Page(页数): 1 OF 1	AFC24-S**F***-**	
Project View (投影视角)	Rev(版本): A	Designer(设计): 张孝雄	Checked(审核):
Rev 版本	初版发行	2018/07/24	张孝雄
Change Description 变更内容	Date 日期	Revisor 制/修订人	Approved(核准):

A	初版发行	2018/07/24	张孝雄
Rev 版本	Change Description 变更内容	Date 日期	Revisor 制/修订人



- NOTES:
1. 10 SPROCKET HOLE PITCH CUMULATIVE TOLERANCE.±0.20mm
 2. CARRIER CAMBER NOT TO EXCEED 1mm IN 250mm.
 3. ALL DIMENSIONS MEET EIA-481-C REQUIREMENTS.
 4. MATERIAL: BLACK ANTI-STATIC POLYSTYRENE.
 5. THICKNESS: 0.35 ± 0.05 mm.
 6. PACKING LENGTH PER 13" REEL : 18.60METERS.
 7. COMPONENT LOAD PER 13" REEL : 1500PCS.
 8. PEELING OFF FORCE OF TOP TAPE 0.1N~0.7N(10.2gf~71.4gf).

CKTS	B0±0.10	W	W1	F	S0±0.10
4	5.80	16+0.3/-0	16.4	7.5±0.10	单边孔
5	6.30				
6	6.80				
7	7.30				
8	7.80				
9	8.30				
10	8.80	24+0.3/-0	24.4	11.5±0.10	单边孔
11	9.30				
12	9.80				
13	10.30				
14	10.80				
15	11.30				
16	11.80	32±0.30	32.4	14.2±0.10	28.4
17	12.30				
18	12.80				
19	13.30				
20	13.80				
21	14.30				
22	14.80	44±0.30	44.4	20.2±0.15	40.4
23	15.30				
24	15.80				
25	16.30				
26	16.80				
27	17.30				
28	17.80	56±0.30	56.4	26.2±0.15	52.4
29	18.30				
30	18.80				
31	19.30				
32	19.80				
33	20.30				
34	20.80				
35	21.30				
36	21.80				
37	22.30				
38	22.80				
39	23.30				
40	23.80				
41	24.30				
42	24.80				
43	25.30				
44	25.80				
45	26.30				
46	26.80				
47	27.30				
48	27.80				
49	28.30				
50	28.80				
51	29.30				
52	29.80				
53	30.30				
54	30.80				
55	31.30				
56	31.80				
57	32.30				
58	32.80				
59	33.30				
60	33.80				

CLASSIFICATION DIMENSION (尺寸类别):
 FAL (首次检验): ⊕ To ⊕
 ■ MARK IS MAJOR DIM (重点尺寸标示)
 ⊕ MARK IS CRITICAL DIM (Cpk&Cp标示)

Tolerance Unspecified (未注公差)
 0.0 ±0.10 0° ±3°
 0.00 ±0.05 0° 0° ±2°
 0.000 ±0.02 0° 0° ±1°

Project View (投影视角)
 1 OF 1

深圳扬讯电子有限公司

Product Name (产品名称):
0.5Pitch H=2.0 FPC 后压卧式SMT型. 载带

Product No (产品料号):
EB-600XXX330-00

Drawing No (图面编号):
DNE00055-1

Date (日期):
2012/01/03

Designer (设计):
Allan

Checked (审核):

Approved (核准):

Rev	Change Description	Date	Revisor
1.0	初版发行	2012/01/03	Allan
版本	变更内容	日期	制/修订人