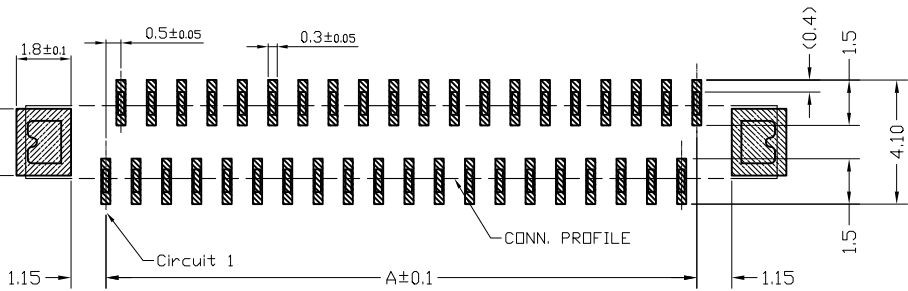
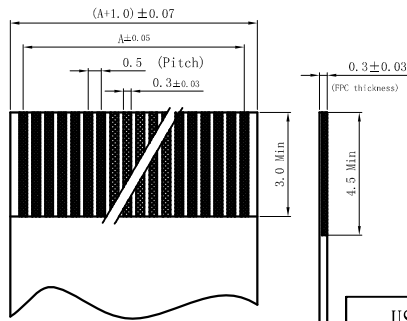


适用FPC寸法(带勾)  
APPLICABLE FPC(+LOCK)



适用线路板  
RECOMMENDED PCB LAYOUT



适用FPC寸法  
APPLICABLE FPC

**Note:**

- Material:
  - Housing: thermoplastic high temp.UL94V-0; Color: natural.
  - Latch: thermoplastic high temp.UL94V-0; Color: black.
  - Terminal: copper alloy.
  - Fitting Nail: copper alloy.

**2. Finish:**

- Terminal: Underplating: Au/matt Tin overall.
- Fitting Nail: Underplating: matt Tin overall.

**3. Product must comply HF RoHS specification.**

**4. Product No:**

AFC18-S \*\* F \* A - 00  
 CKTS  
 CONTACTS TYPE  
 F:Lower  
 H:Double Lower  
 PLATING  
 1:Gold flash 1u"  
 2:Gold flash 2u"  
 3:Gold flash 3u"  
 B:Bright-Tin 90-120u"  
 C:Matt-Tin 90-120u"  
 REMARKS  
 XF:Halogen free  
 PACKING  
 A:Tape&Reel  
 C:Tube

CKT	Dim A	Dim B	Dim C	CKT	Dim A	Dim B	Dim C
6	2.5	3.56	7.8				
8	3.5	4.56	8.8	36	17.5	18.56	22.8
10	4.5	5.56	9.8				
12	5.5	6.56	10.8	40	19.5	20.56	24.8
14	6.5	7.56	11.8				
15	7	8.06	12.3				
18	8.5	9.56	13.8	45	22	23.06	27.3
20	9.5	10.56	14.8				
22	10.5	11.56	15.8	50	24.5	25.56	29.8
24	11.5	12.56	16.8				
26	12.5	13.56	17.8	55	27	28.06	32.3
30	14.5	15.56	19.8				
				60	29.5	30.56	34.8
				70	34.5	35.56	39.8

CUSTOMER DRAWING		<b>深圳扬讯电子有限公司</b>	
Dimension (未注公差): A4	Unit (单位): MM	Product Name (产品名称): FPC 0.5 掀盖立贴凸蝴蝶扣 2.4H	
Scale (比例): 1:1	Page (页数): 1 OF 1	Product No (产品料号): AFC18-S**F**-*	
Project View (投影视角): 1st Angle	Rev (版本): A	Designer (设计): Allan 09/15/12	Checked (审核):
Rev (版本):	Change Description (变更内容):	Date (日期):	Revisor (制/修订人):
Rev (版本):	Change Description (变更内容):	Date (日期):	Revisor (制/修订人):

Rev (版本):	Change Description (变更内容):	Date (日期):	Revisor (制/修订人):
Rev (版本):	Change Description (变更内容):	Date (日期):	Revisor (制/修订人):