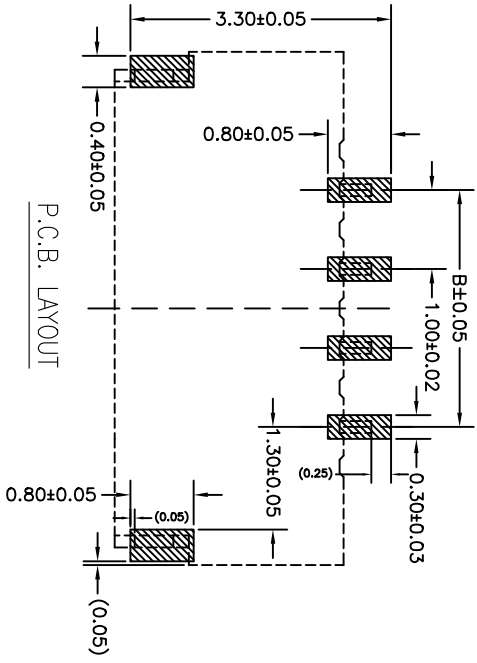
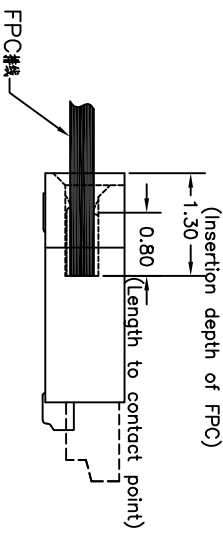
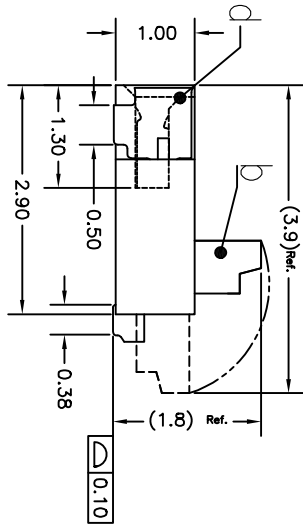
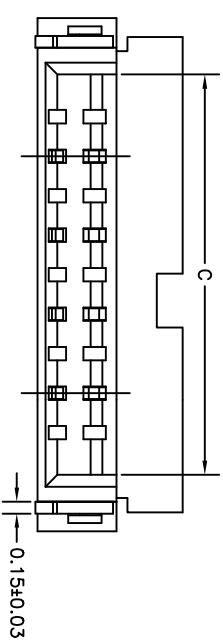
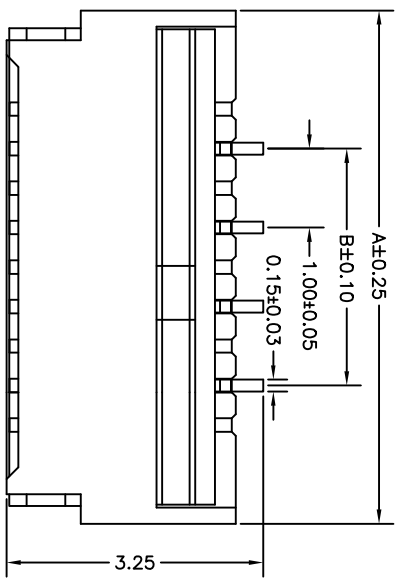


环保物料



P.C.B. LAYOUT

- Note:**
- Material:
 - Housing: thermoplastic high temp. UL94V-0; Color: black.
 - Latch: thermoplastic high temp. UL94V-0; Color: natural.
 - Terminal: copper alloy.
 - Fitting Nail: copper alloy.
 - Finish:
 - Terminal:
 - Underplating: Au/matt Tin overall.
 - Fitting Nail:
 - Underplating: matt Tin overall.
 - Product must comply HF RoHS specification.
 - Product No: AFA43-S
 - Product No: ** * K * - HF
- CONTACTS TYPE: F:Lower H:Double Lower
- REMARKS: HF:hydrogen fre
- PACKAGING: A:tape&Reel C:Tube
- PLATING: 1:Gold flash 1u" 2:Gold flash 2u" 3:Gold flash 3u" 6:Half Gold Tin 1u" 7:Half Gold Tin 3u" 8:Bright-Tin 80-150u" C:Matt-Tin 80-150u"

Dimensional Information:

Part No.	Dimensions			
	A	B	C	D
4P	6.50	3.00	5.07	5.90
5P	7.50	4.00	6.07	6.90
6P	8.50	5.00	7.07	7.90
7P	9.50	6.00	8.07	8.90
8P	10.50	7.00	9.07	9.90
9P	11.50	8.00	10.07	10.90
10P	12.50	9.00	11.07	11.90
11P	13.50	10.00	12.07	12.90
12P	14.50	11.00	13.07	13.90
13P	15.50	12.00	14.07	14.90
14P	16.50	13.00	15.07	15.90

CUSTOMER DRAWING

Tolerance Unspecified	Size (英寸): A4
(未註公差)	Unit (單位): MM
0.0 ±0.15 0° 45°	Scale (比例): 1:1
0.00 ±0.10 0° 0 ±9°	Project View (投影規則): 1st Angle
0.000 ±0.05 0° 00 ±1°	Page (頁數): 1 of 1

深圳扬讯电子有限公司

Product Name (产品名称): 0.5Pitch H=1.0 PFC Easy-on R/A Type1 SMT CONN	Designer (设计): Allan 02/10/15	Checked (审核): Allan 02/10/15	Approved (核准): Chm. 02/12/15
Product No (产品料号): AFM43-S-***P***-***			

Rev A	初版发行	2015/02/14	Allan
Rev	Change Description	Date	Revisior
版本	变更内容	日期	制/修/打/入