



马达出厂规格 (MOTOR OUTGOING SPECIFICATION)

客户 (CUSTOMER) : _____
型号 (MODEL) : RBE. 533236-024BK
版本号 (REV.) : A
日期 (DATE) : 2018. 10. 31

客户确认/日期 CONFIRM BY CUSTOMER/DATE	
-------------------------------------	--

编制 (PREPARED) : JONE
审核 (CHECKED) : _____
批准 (APPROVED) : _____

1. 适用范围 (SCOPE)

本文规定的测试条件和技术要求适用于深圳市中驱电机有限公司交付的 RBE. 533236-024BK 直流无刷电机。

This document defines the test standard and specification for RBE. 533236-024BK BLDC motor which is delivered by CHINA DRIVE MOTORS (SHENZHEN) CO., LTD.

2. 标准工作条件 (STANDARD OPERATING CONDITIONS)

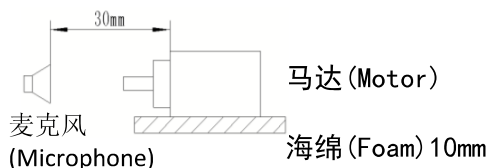
- | | |
|------------------------------------|---|
| 2.1 额定电压 (Rated Voltage) : | DC 36V |
| 2.2 运行条件 (Operating Condition) : | 温度 (Temp.) : -10°C ~ +40°C
相对湿度 (Relative Humidity) : 5% ~ 85% |
| 2.3 保存条件 (Storage Condition) : | 温度 (Temp.) : -20°C ~ +40°C
相对湿度 (Relative Humidity) : 5% ~ 90% |
| 2.4 旋转方向 (Direction of Rotation) : | CCW & CW |

3. 电气性能 (ELECTRICAL CHARACTERISTIC)

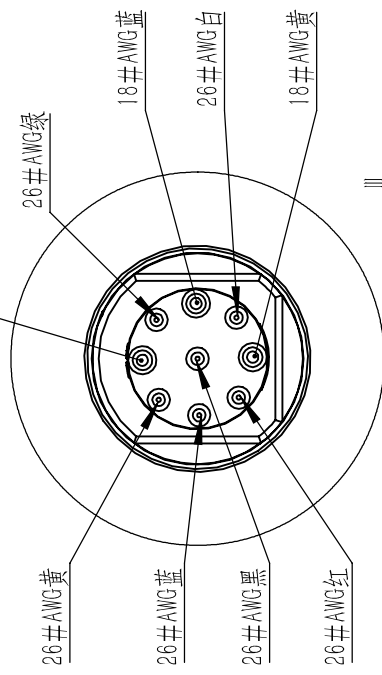
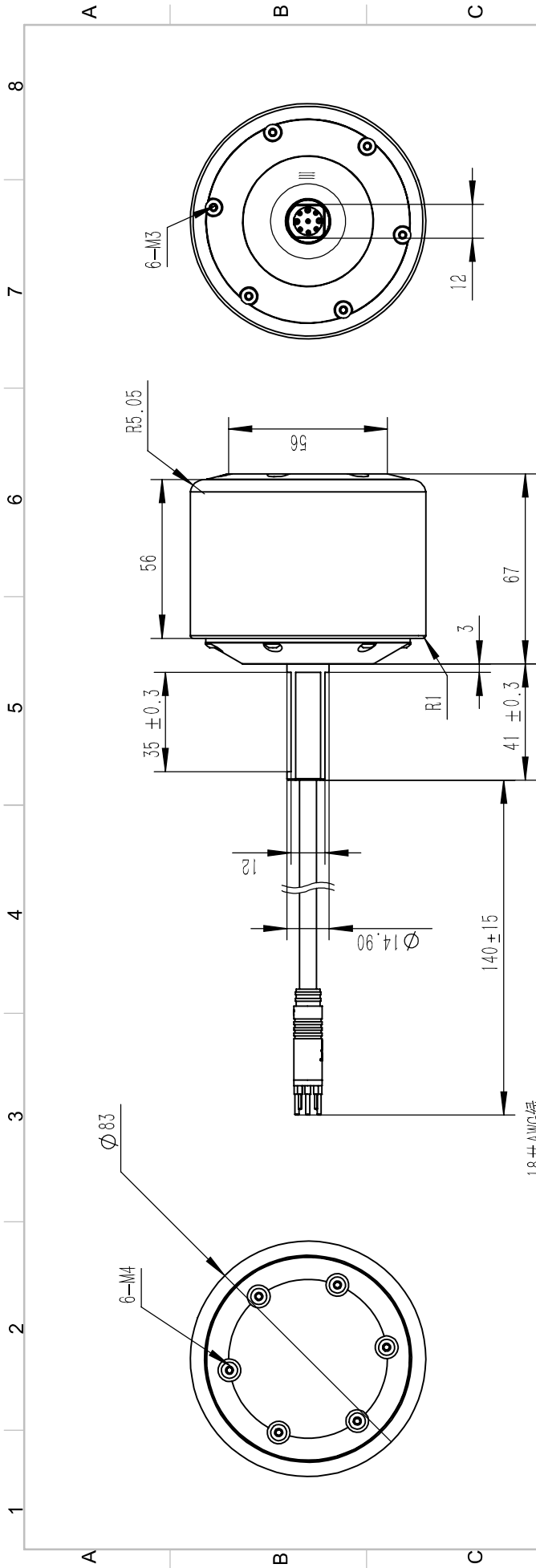
- | | | |
|--|-----------|------|
| 3.1 空载电流 (No Load Current) : | ≤ 1000 | mA |
| 3.2 空载转速 (No Load Speed) : | 1940 ± 5% | RPM |
| 3.3 负载电流 (Rated Load Current) : | ≤ 6.5 | A |
| 3.4 负载转速 (Rated Load Speed) : | 1685 ± 5% | RPM |
| 3.5 额定负载 (Rate Load) : | 1000 | mN.m |
| 3.6 附性能曲线 (Performance Curve Attached) | | |

4. 机械特性 (MECHANICAL CHARACTERISTIC)

- | | | |
|--------------------|--------------------------|--------|
| 4.1 重量 (Weight) : | ≈ 1020 | g |
| 4.2 外形 (Outline) : | Refer to outline drawing | |
| 4.3 噪音 (Noise) : | ≤ 60 | dB (A) |



测试条件: 常温常湿, 背景噪音 < 25dB (A), 距离马达端面 30cm, 额定电压空载运行。
Test Condition: Normal temp. and humidity, background noise is 25dB (A) Max., 30cm away from motor mounting surface, rated voltage and no load.



AWG18#蓝色引线	U
AWG18#绿色引线	V
AWG18#黄色引线	W
AWG26#红色引线	hall '+'
AWG26#黄色引线	hall C
AWG26#蓝色引线	hall B
AWG26#绿色引线	hall A
AWG26#黑色引线	hall '-'
AWG26#白色引线	20K热敏电阻

 深圳市中驱电机有限公司 China Drive Motors (Shenzhen) Co., Ltd.		MATERIAL	
		FINISHING	
TITLE		DRAWING NO.: RBE.533236-024BK	
RBE.533236-024BK外形图		DRAWING NO.: RBE.533236-024BK	
DRAWN		SHEET: 1 OF 1	
CHECKED		REVISION: A	
APPROVED		8	
DATE		7	
DESCRIPTION		6	
初次发行		5	
2018-10-31		4	
REVISION		3	
A		2	
1		1	

