

30S SERIES 3" OIL-FILLED SUBMERSIBLE MOTORS

- The state-of-art design and choice of component materials ensure optimum operating performances, superior quality, reliability and ease of installation.

SPECIFICATIONS

- Rewindable stator.
- Winding insulation: Class F .
- Protection grade: IP68.
- Filling fluid in compliance with standards concerning oils contact with foodstuffs and with the purity requirements specified by the annex to G.U. no. 104 of 20/04/1973; it also complies with F.D.A. (FOOD AND DRUG ADMINISTRATION) standards.
- Large compensation bellows for the expansion of the internal liquid.
- Mechanical seal with sand protection.
- Removable cable connector.
- Maximum immersion depth: 150 m.
- Maximum number of starts per hour at regular intervals: 30 for direct start.
- Maximum allowable voltage fluctuations over the rated voltage: $220\text{ V} \pm 10\%$.

MODELS

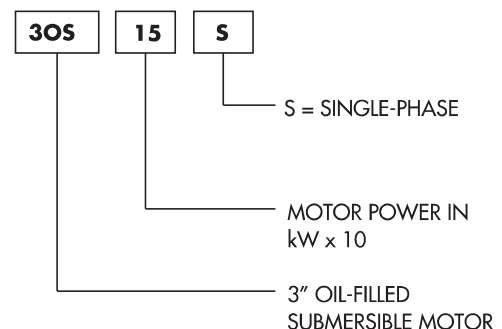
- Single-phase:
from 0,25 to 1,5 kW, 220 V, 50 Hz.

OPTIONAL FEATURES

- Different voltage and frequency.
- Different materials.



IDENTIFICATION CODE



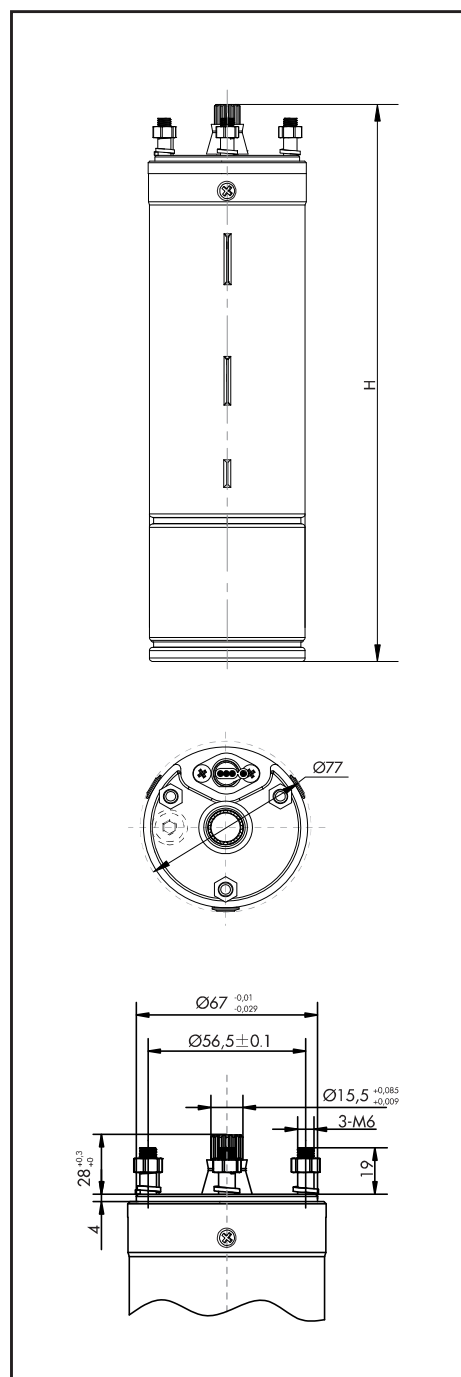
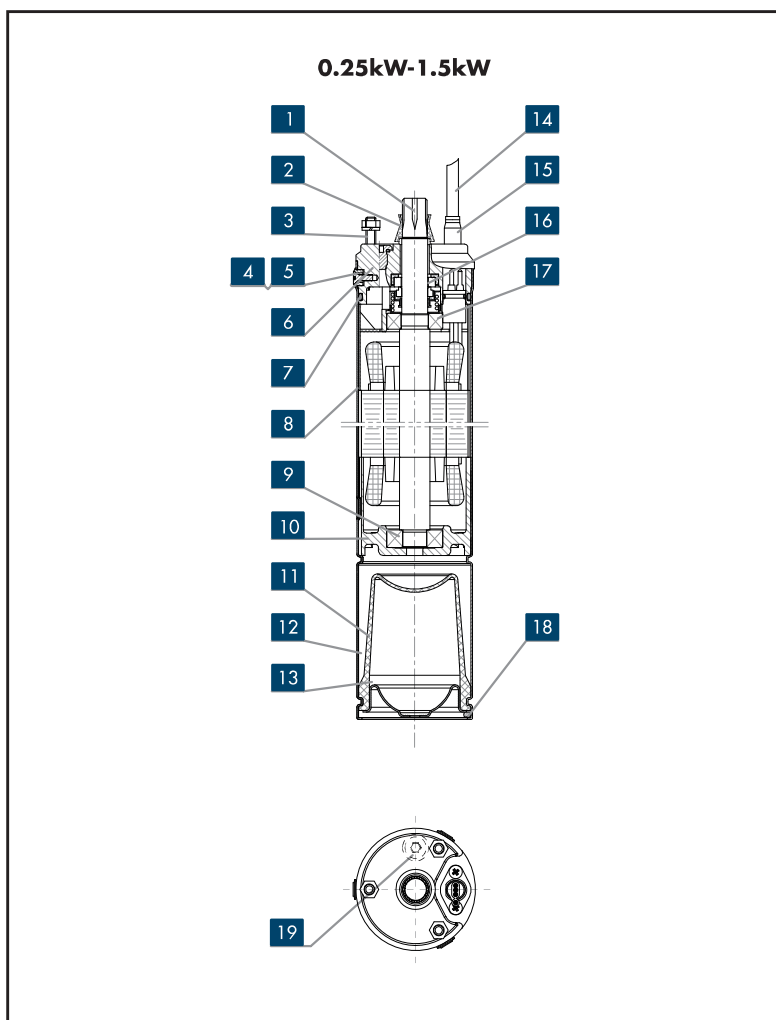
EXAMPLE OF MOTOR TYPE

30S15S

3" oil-filled submersible motor, single-phase,
1,5kW (2,0 Hp).

30S SERIES MOTOR CROSS SECTION AND TABLE OF MATERIAL

DIMENSIONS AND WEIGHTS AT 50 Hz



REF.N.	PART	MATERIAL	STANDARD
1	Shaft extension	Stainless steel	AISI 420
2	Sand protection	NBR	-----
3	Screw	Stainless steel	AISI 304
4	Pin	Stainless steel	AISI 304
5	Screw	Stainless steel	AISI 304
6	Upper support	Cast iron & Stainless steel	ASTM 200A & AISI304
7	O-ring	NBR	-----
8	Motor shell	Stainless steel	AISI 304
9	Ball bearing	-----	-----
10	Lower support	Cast iron	ASTM 200A
11	Compensation bellow	NBR	-----
12	Cooling liquid	Non toxic oil	-----
13	Lower protection	Stainless steel	AISI 304
14	Cable	-----	-----
15	Cable connector sleeve	Stainless steel	AISI 304
16	Mechanical seal	Carbon/Ceramic	-----
17	Ball bearing	-----	-----
18	Snap ring	Stainless steel	AISI 304
19	Filling screw	Stainless steel	AISI 304

MOTOR TYPE	POWER		H mm	WEIGHT kg
	kW	Hp		
30S02S	0,25	0,33	380,5	6,5
30S03S	0,37	0,5	410,5	7,3
30S05S	0,55	0,75	445,5	8
30S07S	0,75	1	480,5	9
30S11S	1,1	1,5	567,5	11
30S15S	1,5	2,0	672,5	12,5