

www.cgegd.com

创新引领未来

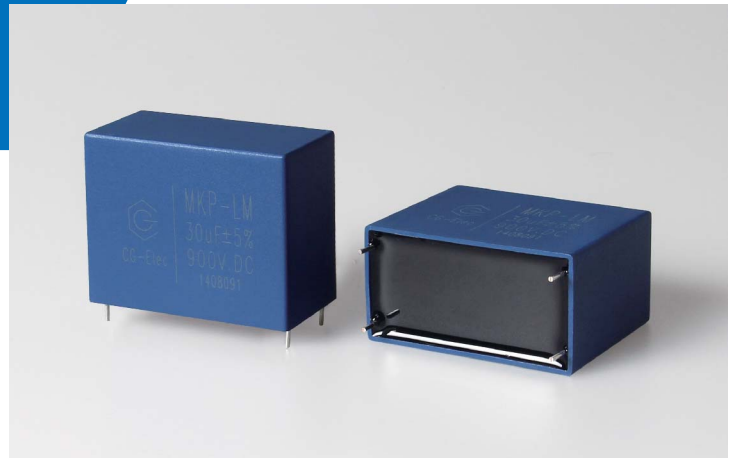


CGE Film Capacitor

创格电子·薄膜电容器

Small PV inverter
capacitor

小光伏专用电容器



佛山市顺德区创格电子实业有限公司

FOSHAN SHUNDE CHUANGGE ELECTRONIC INDUSTRIAL CO.,LTD



MKP-LM

小光伏DC-LINK直流滤波电容器 DC-LINK capacitor for Small PV inverter

产品介绍/Introduction

采用金属化聚丙烯薄膜进行无感式卷绕，特殊喷金工艺，阻燃导热环氧树脂灌封，镀锡铜线引出。具有高容量，大电流，低温升，杂散电感小等优点，主要应用于太阳能光伏逆变器中作直流滤波及支撑。

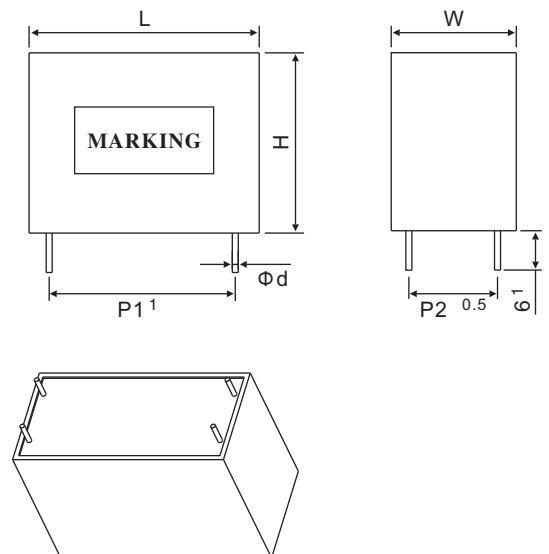
Non-inductive winding with metallized polypropylene film, special metal spray, plastics shell encapsulation, flame retardant and thermal conductivity epoxy potting, tinned copper wire terminal. big capacitance, large current, low temperature rise, low stray inductance, mainly used in PV inverter for dc-link.



性能指标/Technical data

引用标准 Reference	GB/T17702, IEC61071
容量范围 Capacitance Range	1 ~ 150 μ F
容量允许偏差 Capacitance Tolerance	$\pm 5\%$ (J), $\pm 10\%$ (K)
电压范围 Voltage Proof	500V.DC ~ 1200V.DC
极间耐压 Between Terminals	1.5Un/60s
过电压 Over Voltage	1.1Un (30% of on-load-dur.)
	1.15Un (30min/day)
	1.2Un (5min/day)
	1.3Un (1min/day)
介质损耗角 $\text{tg } \delta 0$	$\text{tg } \delta 0 \leq 0.0002$
绝缘电阻 $R_i \times C_n$	$\geq 5000\text{s}$ ($20^\circ\text{C} \pm 5^\circ\text{C}$ 100V.DC 60s)
耐电流冲击能力 dv/dt	$> 20 \sim 100\text{V}/\mu\text{s}$
气候类别 Climatic Category	40/105/56
工作温度范围 Operating Temperature Range	$-40^\circ\text{C} \sim 105^\circ\text{C}$
引出方式	插针
使用海拔 Max.Altitude	$< 4000\text{m}$
预期寿命 Lifetime Expectancy	100000h ($\theta_{\text{h.s}} \leq 70^\circ\text{C}$)
封装形式	塑料外壳，黑色环氧
阻燃性	UL94V-0

备注：如果海拔使用高度超过4000m，应该考虑海拔对冷却和外绝缘的影响；温度超过70℃，按每升高1℃，电压降额1.5%使用。



技术参数/Technical parameters

Un=500V.DC@70°C/Un=450V.DC@85°C

Cn(μF)	Part number	L(mm)	W(mm)	H(mm)	Φd(mm)	P1(mm)	P2(mm)	ESR(mΩ)	ESL(nH)	Dv/dt(V/μs)	Ipk(A)	Irms(A)	Tan δ (100Hz)	Tan δ (1kHz)
10	S1060450211--	41	13	24	1.0	37.5	/	12.1	20	50	500	7	0.0008	0.002
15	S1560450211--	41	16	28.5	1.0	37.5	/	10.5	20	50	750	9	0.0008	0.002
20	S2060450211--	42	18	31.5	1.0	37.5	/	9.7	20	50	1000	10	0.0008	0.002
30	S3060450211--	41	22	37	1.0	37.5	10	6.5	20	50	1500	12	0.0008	0.002
40	S4060450211--	41	26	41	1.0	37.5	15	4.9	20	50	2000	14	0.0008	0.002
50	S5060450211--	42.5	30	45	1.2	37.5	20	3.9	20	50	2500	16	0.0008	0.002
60	S6060450212--	42.5	30	45	1.2	37.5	20	3.3	20	50	3000	17	0.0008	0.002
70	S7060450212--	56.5	26.8	39.2	1.2	52.5	20	2.8	25	20	1400	15	0.0008	0.002
80	S8060450211--	57.5	30	45	1.2	52.5	20	2.5	25	20	1600	17	0.0008	0.002
100	S1070450211--	57.5	35	50	1.2	52.5	20	2.0	25	20	2000	18	0.0008	0.002
110	S1170450211--	57.5	35	50	1.2	52.5	20	1.8	25	20	2200	19	0.0008	0.002
120	S1270450212--	57.5	35	50	1.2	52.5	20	1.6	25	20	2400	20	0.0008	0.002
130	S1370450211--	57.5	38	54	1.2	52.5	20	1.5	25	20	2600	21	0.0008	0.0025
140	S1470450211--	57.5	38	54	1.2	52.5	20	1.4	25	20	2800	22	0.0008	0.0025
150	S1570450211--	57.5	42.5	56	1.2	52.5	20	1.3	25	20	3000	22	0.0008	0.0025

Un=600V.DC@70°C/Un=500V.DC@85°C

Cn(μF)	Part number	L(mm)	W(mm)	H(mm)	Φd(mm)	P1(mm)	P2(mm)	ESR(mΩ)	ESL(nH)	Dv/dt(V/μs)	Ipk(A)	Irms(A)	Tan δ (100Hz)	Tan δ (1kHz)
10	S1060500211--	41	13	24	1.0	37.5	/	12.1	20	50	500	7	0.0008	0.002
15	S1560500211--	41	16	28.5	1.0	37.5	/	10.5	20	50	750	9	0.0008	0.002
20	S2060500211--	42	18	31.5	1.0	37.5	/	9.7	20	50	1000	10	0.0008	0.002
30	S3060500211--	41	22	37	1.0	37.5	10	6.5	20	50	1500	12	0.0008	0.002
40	S4060500211--	41	26	41	1.0	37.5	15	4.9	20	50	2000	14	0.0008	0.002
50	S5060500211--	42.5	30	45	1.2	37.5	20	3.9	20	50	2500	16	0.0008	0.002
60	S6060500212--	42.5	30	45	1.2	37.5	20	3.3	20	50	3000	17	0.0008	0.002
70	S7060500212--	56.5	26.8	39.2	1.2	52.5	20	2.8	25	20	1400	15	0.0008	0.002
80	S8060500211--	57.5	30	45	1.2	52.5	20	2.5	25	20	1600	17	0.0008	0.002
100	S1070500211--	57.5	35	50	1.2	52.5	20	2.0	25	20	2000	18	0.0008	0.002
110	S1170500211--	57.5	35	50	1.2	52.5	20	1.8	25	20	2200	19	0.0008	0.002
120	S1270500212--	57.5	35	50	1.2	52.5	20	1.6	25	20	2400	20	0.0008	0.002
130	S1370500211--	57.5	38	54	1.2	52.5	20	1.5	25	20	2600	21	0.0008	0.0025
140	S1470500211--	57.5	38	54	1.2	52.5	20	1.4	25	20	2800	22	0.0008	0.0025
150	S1570500211--	57.5	42.5	56	1.2	52.5	20	1.3	25	20	3000	22	0.0008	0.0025

Un=700V.DC@70°C/Un=600V.DC@85°C

Cn(μF)	Part number	L(mm)	W(mm)	H(mm)	Φd(mm)	P1(mm)	P2(mm)	ESR(mΩ)	ESL(nH)	Dv/dt(V/μs)	Ipk(A)	Irms(A)	Tan δ (100Hz)	Tan δ (1kHz)
10	S1060600211--	41	16	28.5	1.0	37.5	/	12.1	20	50	500	8	0.0008	0.002
15	S1560600211--	41	18	31.5	1.0	37.5	/	10.5	20	50	750	10	0.0008	0.002
20	S2060600211--	41	22	37	1.0	37.5	10	9.7	20	50	1000	12	0.0008	0.002
30	S3060600211--	42	26	41	1.0	37.5	15	6.5	20	50	1500	14	0.0008	0.002
40	S4060600211--	42.5	30	45	1.2	37.5	20	4.9	20	50	2000	17	0.0008	0.002
50	S5060600211--	56.5	26.8	39.2	1.2	52.5	15	3.9	25	25	1250	16	0.0008	0.002
60	S6060600211--	57.5	30	45	1.2	52.5	20	3.3	25	25	1500	17	0.0008	0.002
70	S7060600211--	57.5	35	50	1.2	52.5	20	2.8	25	25	1750	18	0.0008	0.002
80	S8060600211--	57.5	35	50	1.2	52.5	20	2.5	25	25	2000	19	0.0008	0.002
90	S9060600211--	57.5	38	54	1.2	52.5	20	2.2	25	25	2250	20	0.0008	0.0025
100	S1070600211--	57.5	38	54	1.2	52.5	20	2.0	25	25	2500	22	0.0008	0.0025
110	S1170600211--	57.5	42.5	56	1.2	52.5	20	1.8	25	25	2750	22	0.0008	0.0025

Un=800V.DC@70°C/Un=700V.DC@85°C

Cn(μF)	Part number	L(mm)	W(mm)	H(mm)	Φd(mm)	P1(mm)	P2(mm)	ESR(mΩ)	ESL(nH)	Dv/dt(V/μs)	Ipk(A)	Irms(A)	Tan δ (100Hz)	Tan δ (1kHz)
5	S5050700211--	41	13	24	1.0	37.5	/	18.0	20	50	250	7	0.0008	0.002
10	S1060700211--	41	18	31.5	1.0	37.5	/	14.6	20	50	500	10	0.0008	0.002
15	S1560700211--	41	22	37	1.0	37.5	10	12.3	20	50	750	12	0.0008	0.002
20	S2060700211--	42	24	36	1.0	37.5	15	9.5	20	50	1000	14	0.0008	0.002
30	S3060700211--	42.5	30	45	1.2	37.5	20	5.9	20	50	1500	16	0.0008	0.002
40	S4060700212--	56.5	26.8	39.2	1.2	52.5	15	4.9	25	25	1000	16	0.0008	0.002
40	S4060700211--	57.5	30	45	1.2	52.5	20	4.9	25	25	1000	16	0.0008	0.002
50	S5060700212--	57.5	30	45	1.2	52.5	20	3.9	25	25	1250	17	0.0008	0.002
60	S6060700211--	57.5	35	50	1.2	52.5	20	3.3	25	25	1500	19	0.0008	0.002
70	S7060700211--	57.5	38	54	1.2	52.5	20	2.8	25	25	1750	21	0.0008	0.0025
80	S8060700212--	57.5	38	54	1.2	52.5	20	2.5	25	25	2000	22	0.0008	0.0025
90	S9060700212--	57.5	42.5	56	1.2	52.5	20	2.2	25	25	2250	23	0.0008	0.0025

Un=900V.DC@70°C/Un=800V.DC@85°C

Cn(μF)	Part number	L(mm)	W(mm)	H(mm)	Φd(mm)	P1(mm)	P2(mm)	ESR(mΩ)	ESL(nH)	Dv/dt(V/μs)	Ipk(A)	Irms(A)	Tan δ (100Hz)	Tan δ (1kHz)
5	S5050800211--	41	13	24	1.0	37.5	/	18.0	20	50	250	7	0.0008	0.002
10	S1060800211--	41	18	31.5	1.0	37.5	/	14.6	20	50	500	10	0.0008	0.002
15	S1560800211--	41	22	37	1.0	37.5	10	12.3	20	50	750	12	0.0008	0.002
20	S2060800211--	42	24	36	1.0	37.5	15	9.5	20	50	1000	14	0.0008	0.002
30	S3060800211--	42.5	30	45	1.2	37.5	20	5.9	20	50	1500	16	0.0008	0.002
40	S4060800212--	56.5	26.8	39.2	1.2	52.5	15	4.9	25	25	1000	16	0.0008	0.002
40	S4060800211--	57.5	30	45	1.2	52.5	20	4.9	25	25	1000	16	0.0008	0.002
50	S5060800212--	57.5	30	45	1.2	52.5	20	3.9	25	25	1250	17	0.0008	0.002
60	S6060800211--	57.5	35	50	1.2	52.5	20	3.3	25	25	1500	19	0.0008	0.002
70	S7060800211--	57.5	38	54	1.2	52.5	20	2.8	25	25	1750	21	0.0008	0.0025
80	S8060800212--	57.5	38	54	1.2	52.5	20	2.5	25	25	2000	22	0.0008	0.0025
90	S9060800212--	57.5	42.5	56	1.2	52.5	20	2.2	25	25	2250	23	0.0008	0.0025

Un=1000V.DC@70°C/Un=900V.DC@85°C

Cn(μF)	Part number	L(mm)	W(mm)	H(mm)	Φd(mm)	P1(mm)	P2(mm)	ESR(mΩ)	ESL(nH)	Dv/dt(V/μs)	Ipk(A)	Irms(A)	Tan δ (100Hz)	Tan δ (1kHz)
6	S6050900211--	41	16	28.5	1.0	37.5	/	18.6	20	50	300	10	0.0008	0.002
10	S1060900211--	41	22	37	1.0	37.5	10	15.5	20	50	500	12	0.0008	0.002
12	S1260900211--	41	22	37	1.0	37.5	10	13.0	20	50	600	13	0.0008	0.002
15	S1560900211--	41	26	41	1.0	37.5	15	10.0	20	50	750	15	0.0008	0.002
20	S2060900211--	42.5	30	45	1.2	37.5	20	7.5	20	50	1000	17	0.0008	0.002
30	S3060900211--	57.5	30	45	1.2	52.5	20	5.9	25	25	750	17	0.0008	0.002
40	S4060900211--	57.5	35	50	1.2	52.5	20	4.9	25	25	1000	19	0.0008	0.002
50	S5060900211--	57.5	38	54	1.2	52.5	20	3.9	25	25	1250	22	0.0008	0.0025

Un=1100V.DC@70°C/Un=1000V.DC@85°C

Cn(μF)	Part number	L(mm)	W(mm)	H(mm)	Φd(mm)	P1(mm)	P2(mm)	ESR(mΩ)	ESL(nH)	Dv/dt(V/μs)	Ipk(A)	Irms(A)	Tan δ (100Hz)	Tan δ (1kHz)
6	S6051000211--	41	16	28.5	1.0	37.5	/	18.6	20	50	300	10	0.0008	0.002
10	S1061000211--	41	22	37	1.0	37.5	10	15.5	20	50	500	12	0.0008	0.002
12	S1261000211--	41	22	37	1.0	37.5	10	13.0	20	50	600	13	0.0008	0.002
15	S1561000211--	41	26	41	1.0	37.5	15	10.0	20	50	750	15	0.0008	0.002
20	S2061000211--	42.5	30	45	1.2	37.5	20	7.5	20	50	1000	17	0.0008	0.002
30	S3061000211--	57.5	30	45	1.2	52.5	20	5.9	25	25	750	17	0.0008	0.002
40	S4061000211--	57.5	35	50	1.2	52.5	20	4.9	25	25	1000	19	0.0008	0.002
50	S5061000211--	57.5	38	54	1.2	52.5	20	3.9	25	25	1250	22	0.0008	0.0025



Un=1200V.DC @ 70°C/Un=1100V.DC @ 85°C

Cn(μF)	Part number	L(mm)	W(mm)	H(mm)	Φd(mm)	P1(mm)	P2(mm)	ESR(mΩ)	ESL(nH)	Dv/dt(V/μs)	Ipk(A)	Irms(A)	Tan δ (100Hz)	Tan δ (1kHz)
4	S4051100211--	41	16	28.5	1.0	37.5	/	16.6	20	50	200	9	0.0008	0.002
5	S5051100211--	42	18	31.5	1.0	37.5	/	15.7	20	50	250	10	0.0008	0.002
8	S8051100211--	41	22	37	1.0	37.5	10	14.2	20	50	400	13	0.0008	0.002
10	S1061100211--	41	26	41	1.0	37.5	15	13.5	20	50	500	14	0.0008	0.002
12	S1261100211--	41	28	43	1.0	37.5	15	12.2	20	50	600	16	0.0008	0.002
15	S1561100212--	42.5	30	45	1.2	37.5	20	10.6	20	50	750	17	0.0008	0.002
15	S1561100211--	58	26	38	1.2	52.5	15	12.5	25	25	375	14	0.0008	0.002
18	S1861100211--	57.5	30	45	1.2	52.5	20	11.1	25	25	450	16	0.0008	0.002
20	S2061100211--	57.5	30	45	1.2	52.5	20	10.1	25	25	500	16	0.0008	0.002
25	S2561100211--	57.5	35	50	1.2	52.5	20	7.9	25	25	625	18	0.0008	0.002
30	S3061100212--	57.5	35	50	1.2	52.5	20	6.6	25	25	750	20	0.0008	0.002
35	S3561100211--	57.5	38	54	1.2	52.5	20	5.6	25	25	875	22	0.0008	0.0025
40	S4061100211--	57.5	42.5	56	1.2	52.5	20	4.9	25	25	1000	23	0.0008	0.0025

注：1.以上参数仅做参考，以实际图纸为准；2.小容量规格尺寸可按客户要求协商确定。



市场应用/Application



http:www.cgegd.com

Innovation Lead the Future



家用电容器
Household appliance
capacitors
Tel:0757-28378927
Fax:0757-28378928

工业、商用电容器
Industrial&commercial
induction capacitors
Tel:0757-23619357
Fax:0757-28378928

消费类电容器
Consumptive capacitors
and filters:
Tel:0757-23619356
Fax:0757-28378928

技术支持
Technical Support
Tel:0757-28378933
网络销售 E-Marketing
Tel:0757-28378169

Contact

地址：广东佛山市顺德区容桂高新技术产业开发园新有东路7号
Add: No.7 East-Xinyou Rd. New-High Techn. Ind.
Shunde Foshan City Guangdong Province China
Tel:+86-757-28399722 Fax:+86-757-28370050
Postcode:528305
E-mail:cge@cgegd.com



▶▶ 本公司保留更改产品设计与规格的权利，届时恕不另行通知；本资料有关数据仅供参考，具体参数请以产品和说明为准
We reserve to change product designs and specifications at any time without notice; all information here is for reference only,
specific parameters should be subject to productions and instruction.