

# PRODUCT SPECIFICATION

**Model No.: FYL-5023KUGC1A**

Descriptions:
<ul style="list-style-type: none"> <li>■ Dice material: AlGaInP.</li> <li>■ Emitting Color: Super Bright Yellow Green.</li> <li>■ Device Outline: Φ5mm Bullet head type.</li> <li>■ Lens Type: Water clear.</li> </ul>



CUSTOMER APPROVED SIGNATURES	APPROVED BY	CHECKED BY	PREPARED BY

**NINGBO FORYARD OPTOELECTRONICS CO.,LTD.**

**Add:**No. 666 Jinghua Road, Hi-tech Park, Ningbo, Zhejiang, China

**Zip:**315103

**Tel:** 0086-574-87933652 87922206 87927870

**Fax:** 0086-574-87927917

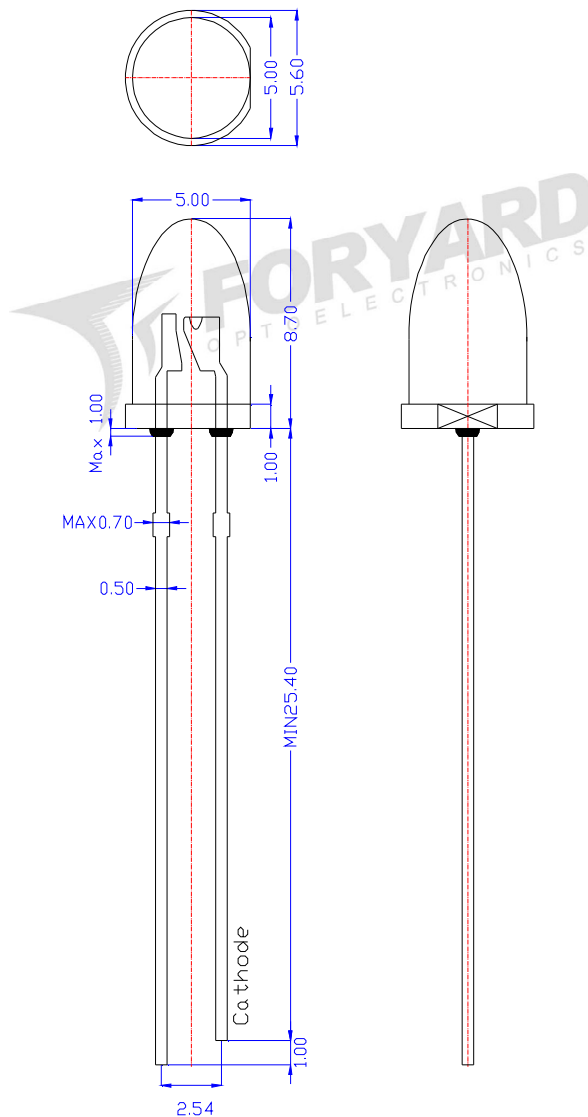
**E-mail:**Sales@foryard.com (General)

Model No.: FYL-5023KUGC1A

### ■ Features

- 1.Low power consumption.
- 2.High efficiency.
- 3.General purpose leads.
- 4.High intensity.
- 5.RoHs compliant.

### ■ Package configuration



#### Notes:

1. All dimensions are millimeters (inches)
2. Tolerance is  $\pm 0.25\text{mm}$  (.010") unless otherwise noted.
3. The specifications, characteristics and technical data described in the datasheet are subject to change without prior notice.
- 4.The drawing is different from the actual one, please refer to the sample.

Model No.: FYL-5023KUGC1A

■ Absolute Maximun Ratings(Ta=25°C)

Parameter	MAX.	Unit
Power Dissipation	75	mW
Peak Forward Current (1/10 Duty Cycle, 0.1ms Pulse Width)	100	mA
Continuous Forward Current	30	mA
Derating Linear From 50°C	0.4	mA/°C
Reverse Voltage	5	V
Operating Temperature Range	-40°C to +85°C	
Storage Temperature Range	-40°C to +100°C	
Lead Soldering Temperature[4mm(.157") From Body]	260°C for 5 Seconds	

■ Typical Electrical & Optical Charcteristics(Ta=25°C)

Parameter	Symbol	Min.	Typ.	Max.	Unit	Test Condition
Luminous Intensity	I <sub>v</sub>	1000	1800	3000	mcd	IF=20mA
Viewing Angle	2θ <sub>1/2</sub>	---	5	---	Deg	
Peak Emission Wavelength	λ <sub>p</sub>	---	570	--	nm	
Dominant Wavelength	λ <sub>d</sub>	568	572	576	nm	
Spectral Line Half-Width	Δλ	---	30	--	nm	
Forward Voltage	V <sub>F</sub>	1.8	2.2	2.6	V	VR=5V
Reverse Current	I <sub>R</sub>	---	---	10	μA	

Note:

- 1.Luminous Intensity is based on the Foryard standards.
- 2.Pay attention about static for InGaN

■ Luminous Intensity Guide (Unit: mcd) @IF=20mA

Code	N16	N17	N18	N19
Luminous Intensity(mcd)	1000~1380	1380~1800	1800~2300	2300~3000

Tolerance of measurement of luminous intensity is ±15%

■ Dominate Wavelength Guide (Unit: nm) @IF=20mA

Code	YG4	YG5	YG6	YG7
Dominate Wavelength(nm)	568~570	570~572	572~574	574~576

Tolerance for each Dominate Wavelength bin is ±1nm

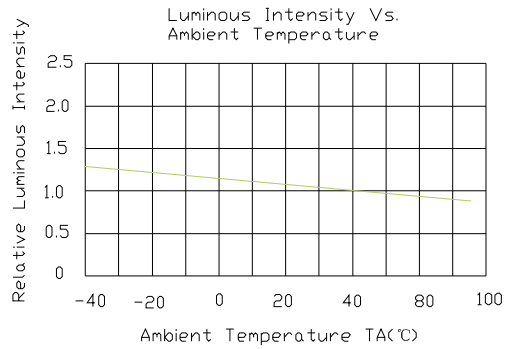
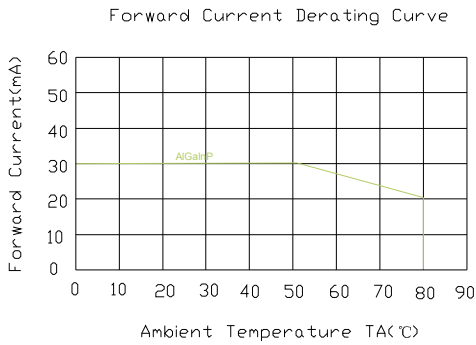
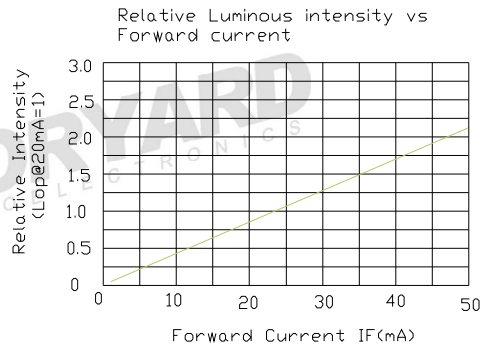
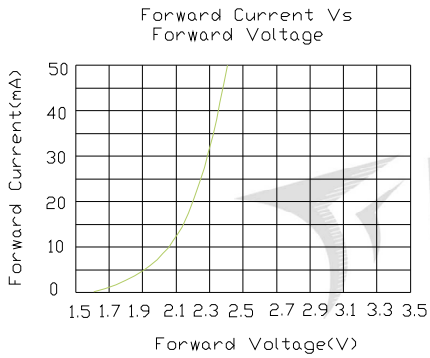
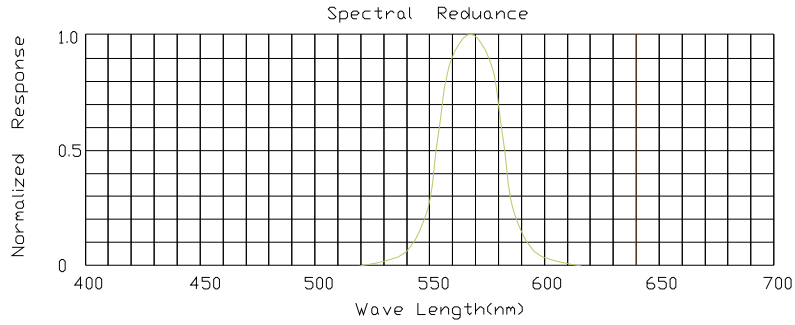
■ Forward Voltage Guide (Unit: V) @IF=20mA

Code	V2a	V2b	V3a	V3b	V4a	V4b	V5a	V5b
Forward Voltage(V)	1.8~1.9	1.9~2.0	2.0~2.1	2.1~2.2	2.2~2.3	2.3~2.4	2.4~2.5	2.5~2.6

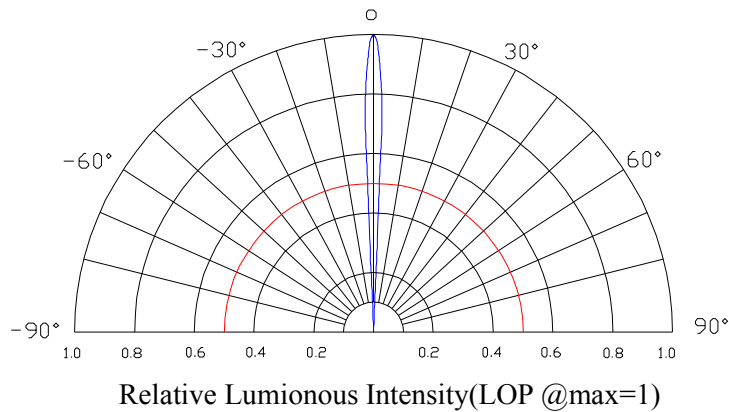
Tolerance of measurement of forward voltage is ±0.1V

**Model No.: FYL-5023KUGC1A**

**Typical Eletrical/Optical Characteristics Curves(Ta=25°C Unless Otherwise Noted)**

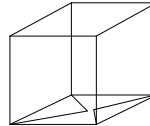
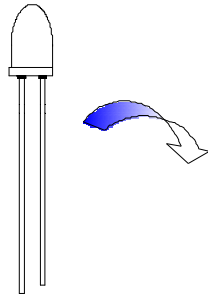


**Radiation pattern**

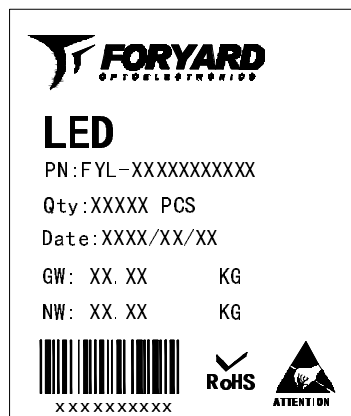
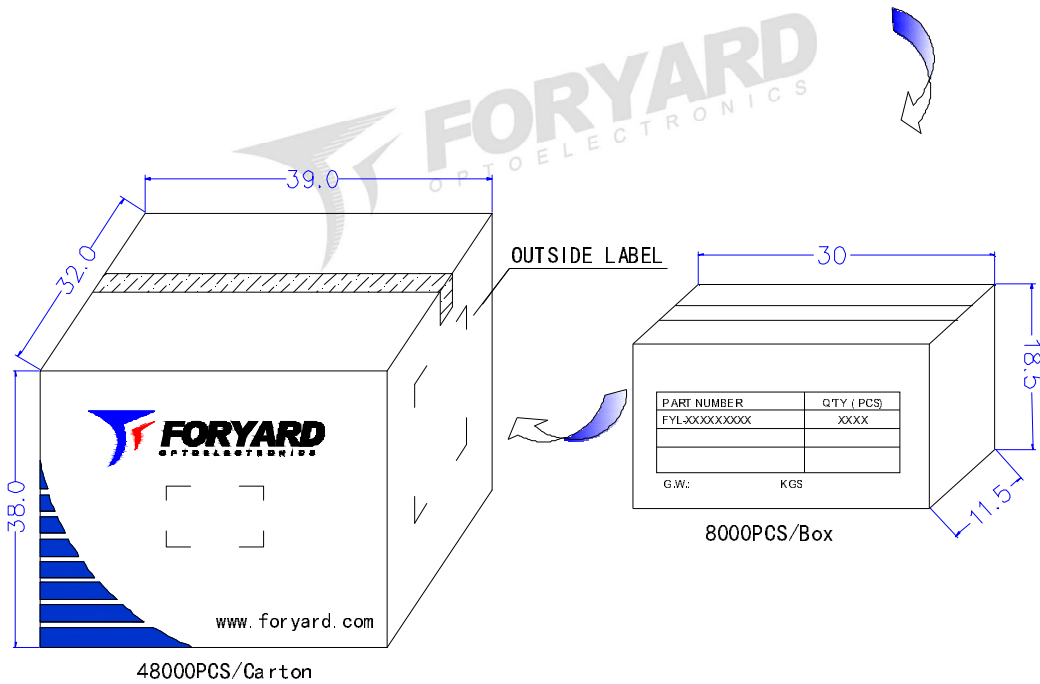


**Model No.: FYL-5023KUGC1A**

**■ LAMP PACKING.**



5mm 1000PCS/Polybag



OUTSIDE LABEL

Note: The specifications are subject to change without notice. Please contact us for updated information.