

PRODUCT SPECIFICATION

Model No.: FYL-3004SURC1D

| Descriptions: |
|---|
| <ul style="list-style-type: none"> ■ Dice material: AlGaInP. ■ Emitting Color: Super Bright Red. ■ Device Outline: Φ3mm round type. ■ Lens Type: Water clear. |



| CUSTOMER APPROVED SIGNATURES | APPROVED BY | CHECKED BY | PREPARED BY |
|------------------------------|-------------|------------|-------------|
| | | | |

NINGBO FORYARD OPTOELECTRONICS CO.,LTD.

Add:No. 666 Jinghua Road, Hi-tech Park, Ningbo, Zhejiang, China

Zip:315103

Tel: 0086-574-87933652 87922206 87927870

Fax: 0086-574-87927917

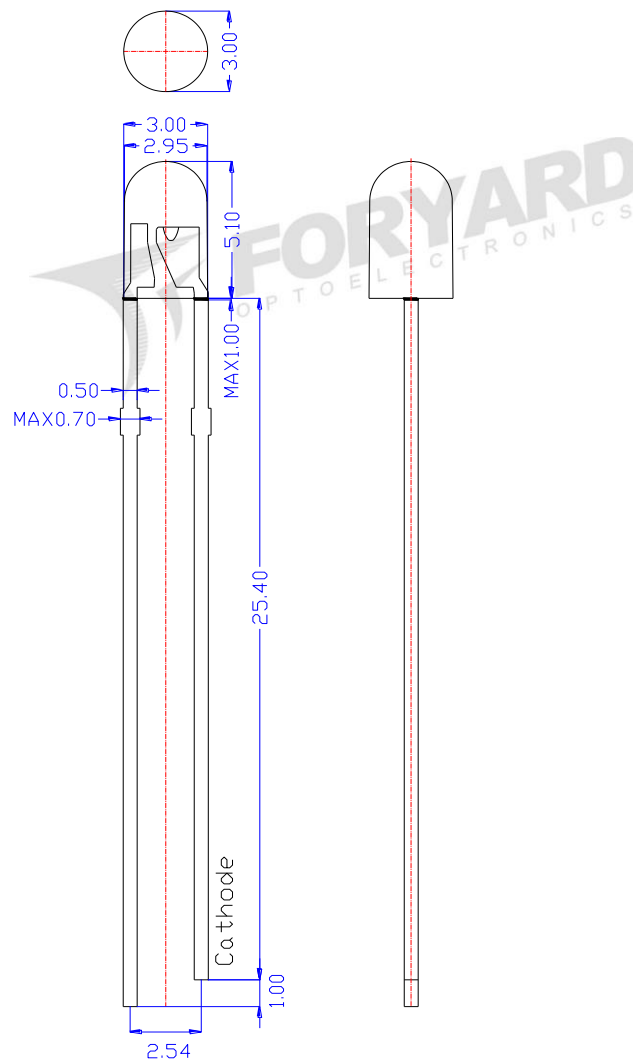
E-mail:Sales@foryard.com (General)

Model No.: FYL-3004SURC1D

■ Features

- 1.Low power consumption.
- 2.High efficiency.
- 3.General purpose leads.
- 4.High intensity.
- 5.RoHs compliant.

■ Package configuration



Notes:

1. All dimensions are millimeters (inches)
2. Tolerance is $\pm 0.25\text{mm}$ (.010") unless otherwise noted.
3. The specifications, characteristics and technical data described in the datasheet are subject to change without prior notice.
- 4.The drawing is different from the actual one, please refer to the sample.

Model No.: FYL-3004SURC1D

■ Absolute Maximum Ratings(Ta=25°C)

| Parameter | MAX. | Unit |
|---|---------------------|-------|
| Power Dissipation | 75 | mW |
| Peak Forward Current (1/10 Duty Cycle, 0.1ms Pulse Width) | 100 | mA |
| Continuous Forward Current | 30 | mA |
| Derating Linear From 50°C | 0.4 | mA/°C |
| Reverse Voltage | 5 | V |
| Operating Temperature Range | -40°C to +85°C | |
| Storage Temperature Range | -40°C to +100°C | |
| Lead Soldering Temperature[4mm(.157") From Body] | 260°C for 5 Seconds | |

■ Typical Electrical & Optical Characteristics(Ta=25°C)

| Parameter | Symbol | Min. | Typ. | Max. | Unit | Test Condition |
|--------------------------|-----------------|------|------|------|---------|----------------|
| Luminous Intensity | I_v | 1000 | 1800 | 3000 | mcd | IF=20mA |
| Viewing Angle | $2\theta_{1/2}$ | --- | 40 | --- | Deg | |
| Peak Emission Wavelength | λ_p | --- | 630 | -- | nm | |
| Dominant Wavelength | λ_d | 618 | 625 | 630 | nm | |
| Spectral Line Half-Width | $\Delta\lambda$ | --- | 20 | -- | nm | |
| Forward Voltage | V_F | 1.8 | 2.1 | 2.4 | V | VR=5V |
| Reverse Current | I_R | --- | --- | 10 | μA | |

Note:

- 1.Luminous Intensity is based on the Foryard standards.
- 2.Pay attention about static for InGaN

■ Luminous Intensity Guide (Unit: mcd) @IF=20mA

| Code | N16 | N17 | N18 | N19 |
|-------------------------|-----------|-----------|-----------|-----------|
| Luminous Intensity(mcd) | 1000~1380 | 1380~1800 | 1800~2300 | 2300~3000 |

Tolerance of measurement of luminous intensity is $\pm 15\%$

■ Dominate Wavelength Guide (Unit: nm) @IF=20mA

| Code | R1 | R2 | R3 | R4 |
|-------------------------|---------|---------|---------|---------|
| Dominate Wavelength(nm) | 618~621 | 621~624 | 624~627 | 627~630 |

Tolerance for each Dominate Wavelength bin is $\pm 1nm$

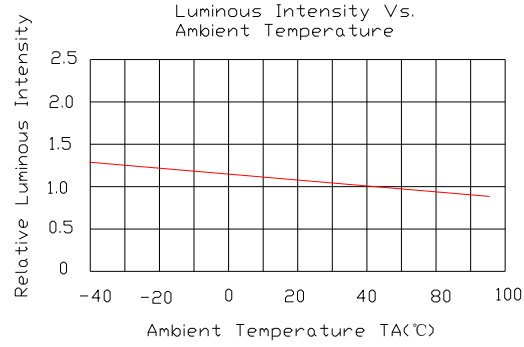
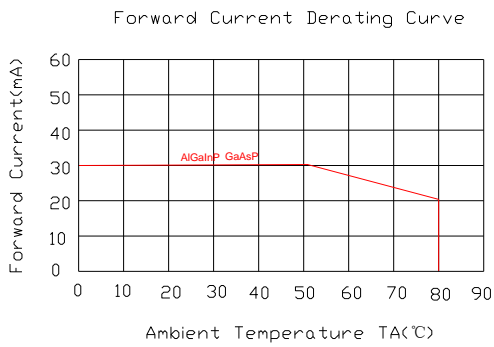
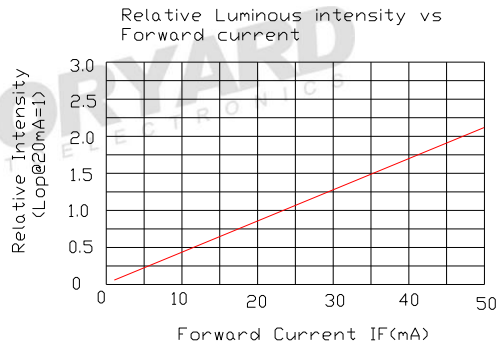
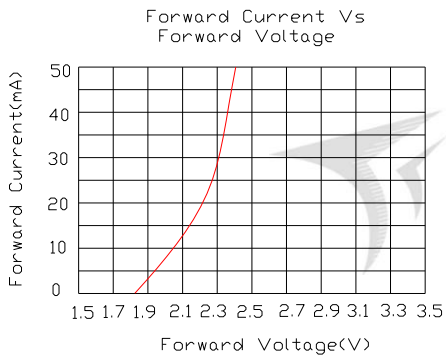
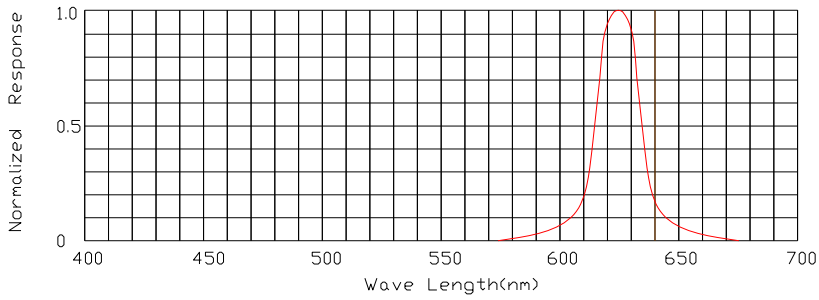
■ Forward Voltage Guide (Unit: V) @IF=20mA

| Code | V2 | V3a | V3b | V4 |
|--------------------|---------|---------|---------|---------|
| Forward Voltage(V) | 1.8~2.0 | 2.0~2.1 | 2.1~2.2 | 2.2~2.4 |

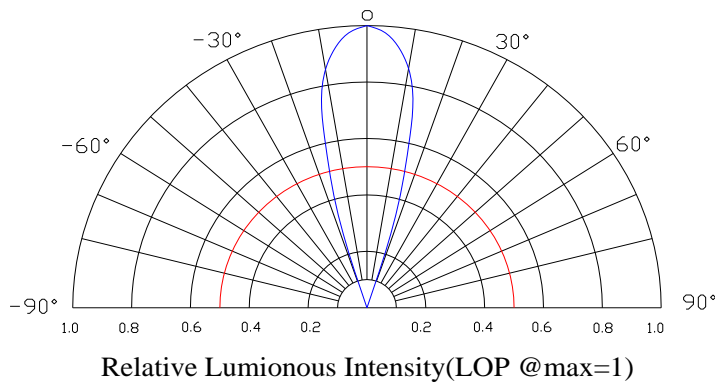
Tolerance of measurement of forward voltage is $\pm 0.1V$

Model No.: FYL-3004SURC1D

Typical Eletrical/Optical Characteristics Curves(Ta=25°C Unless Otherwise Noted)

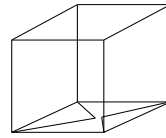
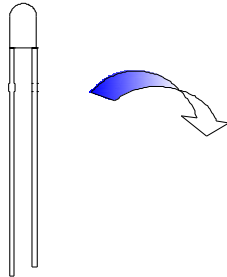


Radiation pattern

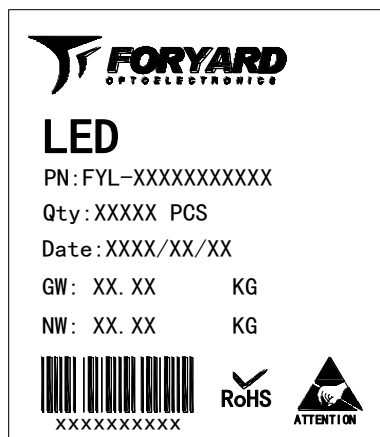
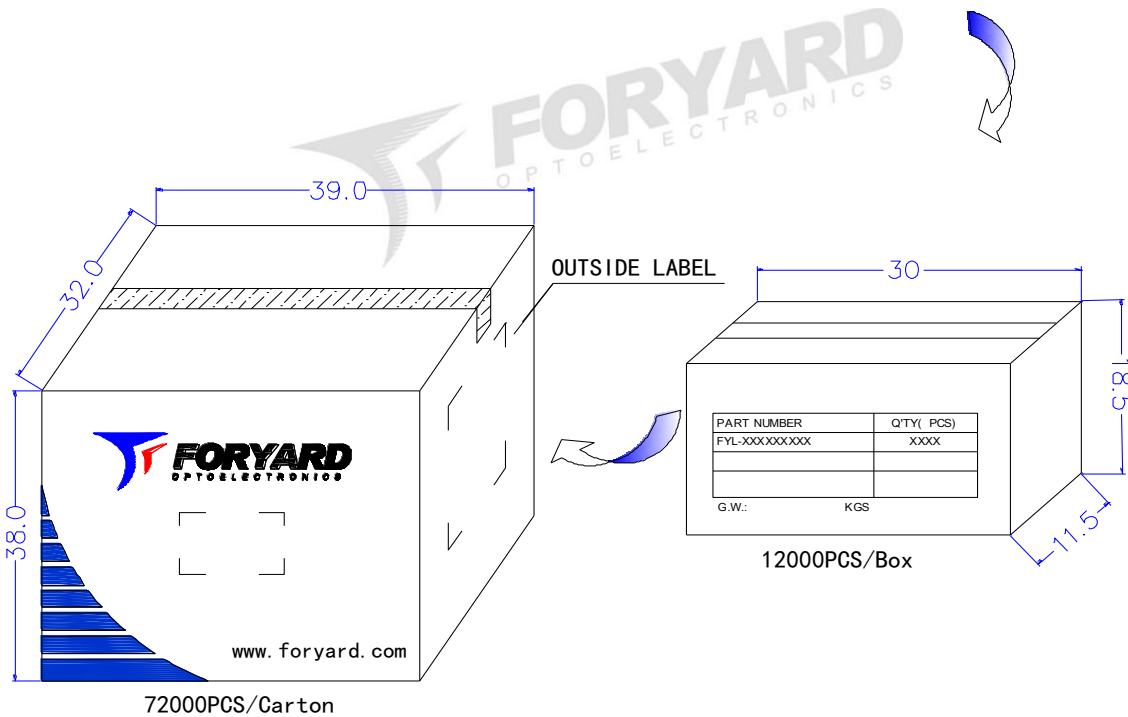


Model No.: FYL-3004SURC1D

LAMP PACKING.



3mm 1000PCS/Polybag



OUTSIDE LABEL

Note: The specifications are subject to change without notice. Please contact us for updated information.