

# PRODUCT SPECIFICATION

## CUSTOM-MADE

**Model No.: FYA-5031DUR-11-M**

Descriptions & Features:
<ul style="list-style-type: none"> <li>■ Bargraph Digit Display</li> <li>■ Shape: Arrow</li> <li>■ Diameter: 38.00*24.40mm</li> <li>■ Emitting Color : Ultra Red</li> <li>■ Chip Material: AlGaInP</li> <li>■ Black Face</li> <li>■ White Diffused Segment</li> </ul>



CUSTOMER APPROVED SIGNATURES	APPROVED BY	CHECKED BY	PREPARED BY

**NINGBO FORYARD OPTOELECTRONICS CO.,LTD.**

**Add:** NO.666 Jinghua Road, Hi-tech Park, Ningbo, Zhejiang, China

**Zip:** 315103

**Tel:** 0086-574-87933652 87922206 87927870

**Fax:** 0086-574-87927917

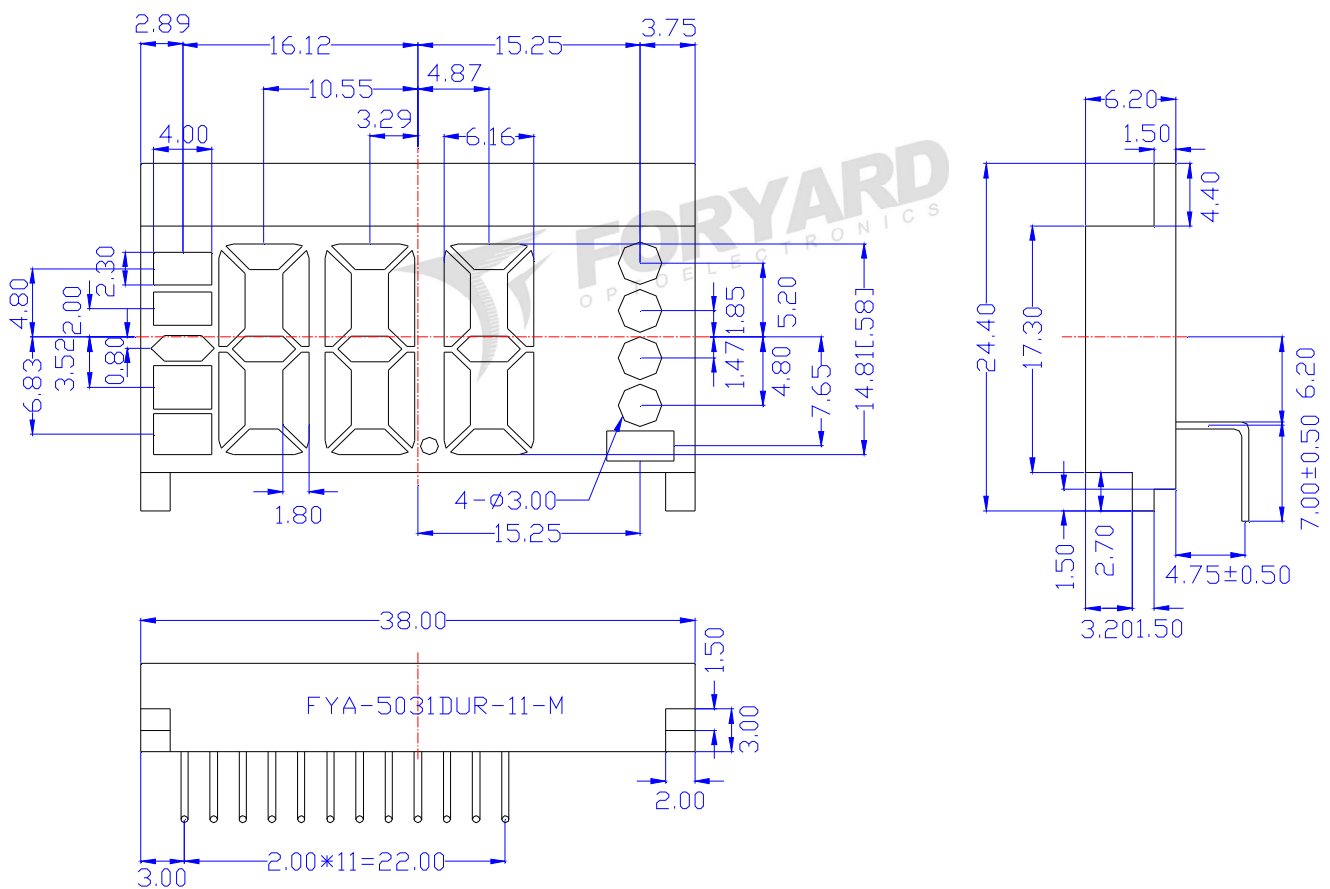
**E-mail:** Sales@foryard.com (General)

**Model No.: FYA-5031DUR-11-M**

**Features -**

1. Case mold type.
2. RoHS compliant.
3. Low current operation
4. Low power consumption.
5. Easy mounting on P.C. board or socket.

**Mechanical Dimensions**



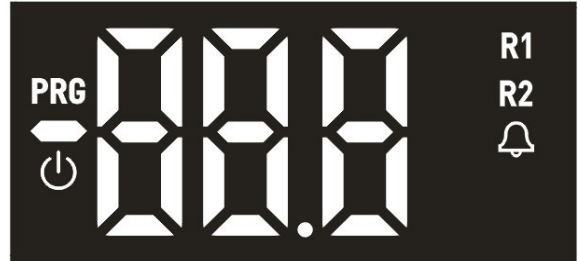
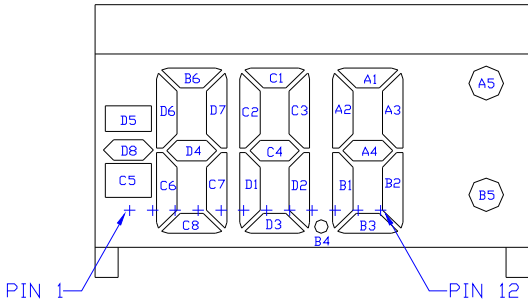
**Notes:**

1. All pins are  $\Phi 0.50 [0.020]$  mm
2. Dimension in millimeter [inch], tolerance is  $\pm 0.25 [0.010]$  and angle is  $\pm 1^\circ$  unless otherwise noted.
3. Bending  $\leq$  Length \* 1%.
4. The specifications, characteristics and technical data described in the datasheet are subject to change without prior notice.
5. The drawing is different from the actual one, please refer to the sample.

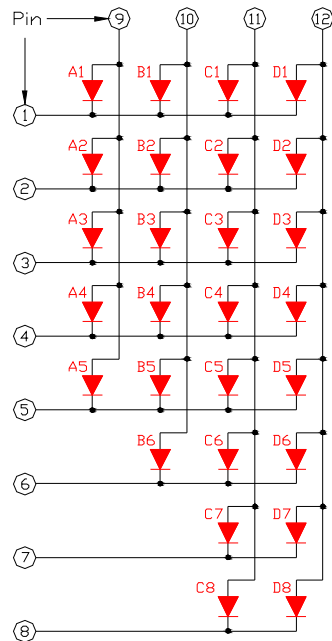
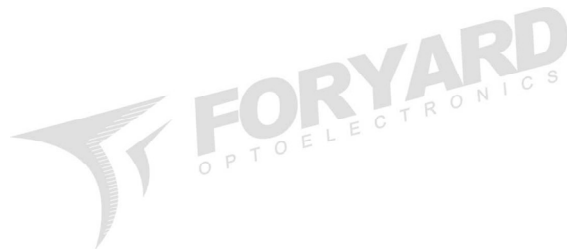
**Model No.: FYA-5031DUR-11-M**

■ All Light On Segments Feature & Pin Position

■ Film Diagrams



■ Internal Circuit Diagrams



**Model No.: FYA-5031DUR-11-M**

**■ Absolute maximum ratings**

(Ta=25°C)

Parameter	Symbol	Test Condition	Value		Unit
			Min	Max	
Reverse Voltage	VR	IR=30	5	—	V
Forward Current	IF	—	—	30	mA
Power Dissipation	Pd	—	—	100	mW
Pulse Current	Ipeak	Duty=0.1mS,1KHz	—	150	mA
Operating Temperature	Topr	—	-40	+85	°C
Storage Temperature	Tstr	—	-40	+85	°C

**■ Electrical-Optical Characteristics**

**● Color Code & Chip Characteristics:(Test Condition:IF=10mA)**

(Ta=25°C)

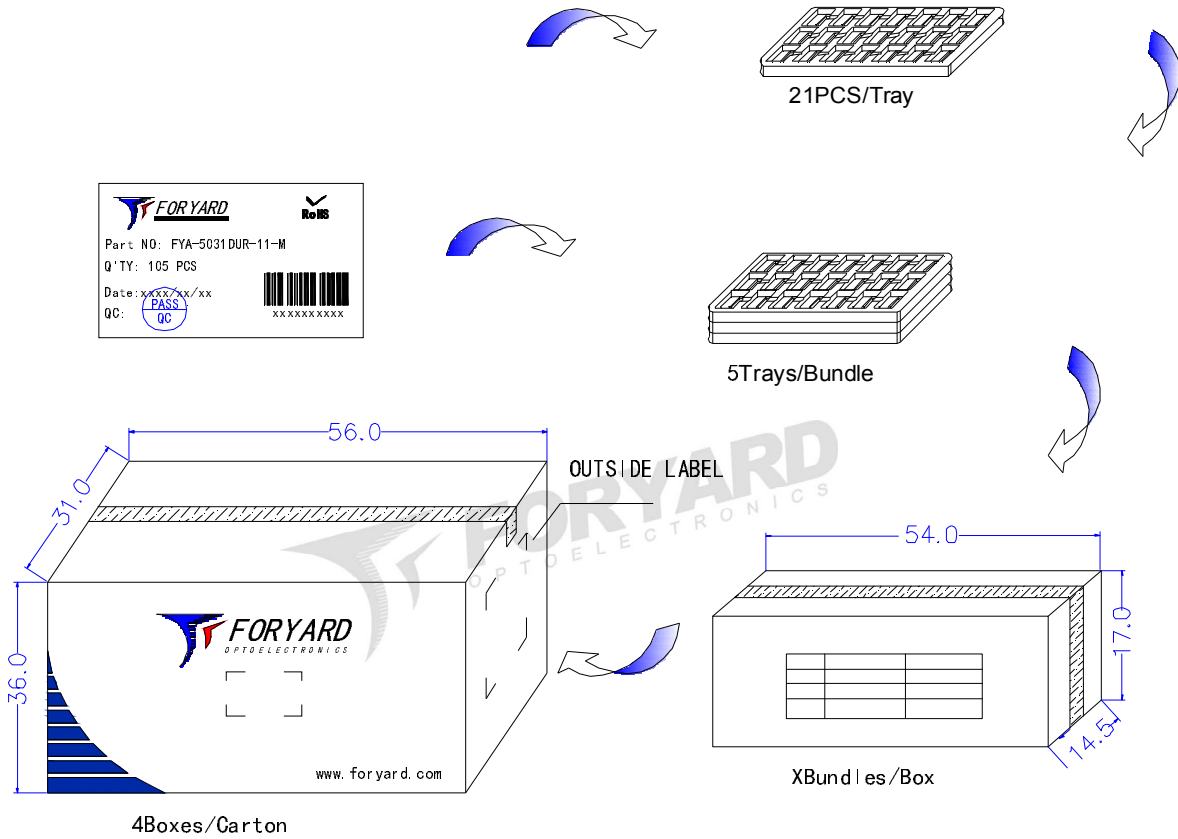
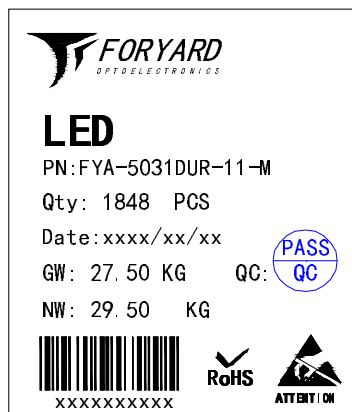
Emitting Color	Dice Material	Peak Wave Length( $\lambda_p$ )	Spectral Line halfwidth	Forward Voltage(VF) Unit:V		Luminous Intensity (Iv)	
				Typ	Max		
<b>Standard brightness</b>							
UR	Ultra Red	AlGaInP	635nm	20nm	2.00	2.50	40~70
Segment-to-Segment Luminous Intensity ratio(Iv-M)				1.5:1			

Note:

- 1.Luminous Intensity is based on the Foryard standards.
- 2.Pay attention about static for InGaN

Model No.: FYA-5031DUR-11-M

■ Packing Diagram

**FOR YARD**  
OPTOELECTRONICS

**LED**


PN: FYA-5031DUR-11-M



Qty: 1848 PCS

Date: xxxx/xx/xx

GW: 27.50 KG    QC: **PASS**  
**QC**

NW: 29.50 KG

  
XXXXXXXXXX

OUTSIDE LABEL