

# PRODUCT SPECIFICATION

**Model No.: FYL-5019NURPGC1C-CA**

## Descriptions:

- Dice material: AlGaInP;InGaN.
- Emitting Color: Super Bright Red;Super Bright Pure Green.
- Device Outline: Φ5mm round type.
- Lens Type: Water clear.



CUSTOMER APPROVED SIGNATURES	APPROVED BY	CHECKED BY	PREPARED BY

**NINGBO FORYARD OPTOELECTRONICS CO.,LTD.**

**Add:**No. 666 Jinghua Road, Hi-tech Park, Ningbo, Zhejiang, China

**Zip:**315103

**Tel:** 0086-574-87933652 87922206 87927870

**Fax:** 0086-574-87927917

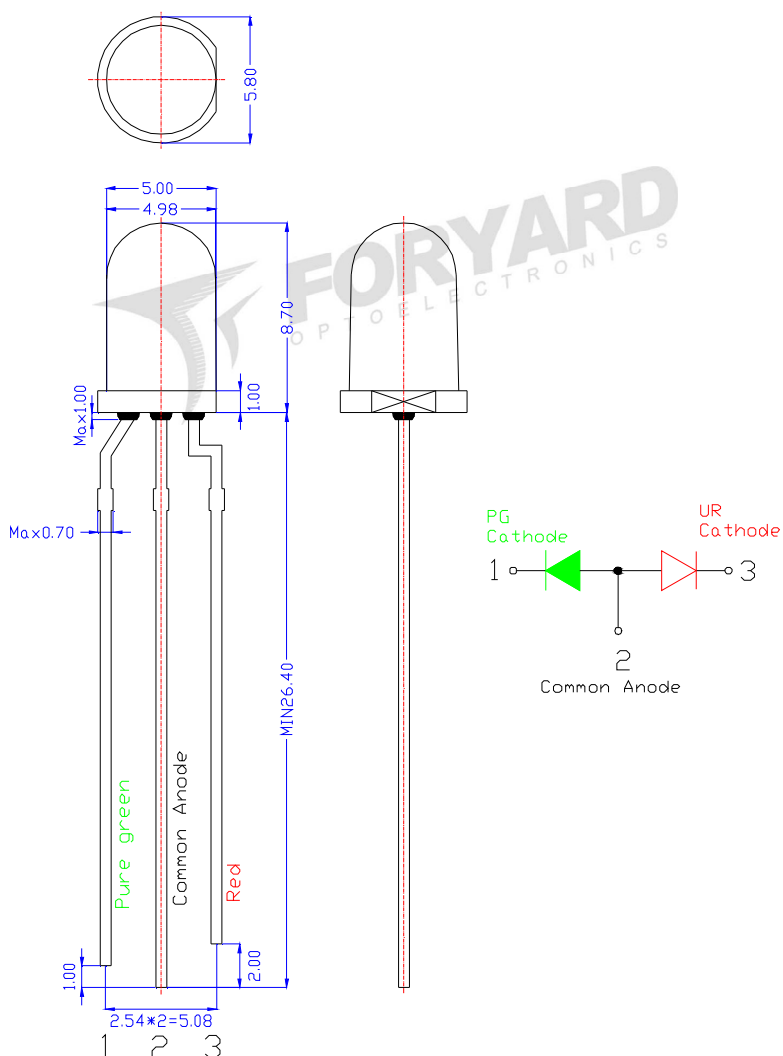
**E-mail:**Sales@foryard.com (General)

**Model No.: FYL-5019NURPGC1C-CA**

**■ Features**

- 1.Low power consumption.
- 2.High efficiency.
- 3.General purpose leads.
- 4.High intensity.
- 5.RoHs compliant.

**■ Package configuration**



**Notes:**

1. All dimensions are millimeters (inches)
2. Tolerance is  $\pm 0.25\text{mm}$  (.010") unless otherwise noted.
3. The specifications, characteristics and technical data described in the datasheet are subject to change without prior notice.
4. The drawing is different from the actual one, please refer to the sample.

Model No.: FYL-5019NURPGC1C-CA

■ Absolute Maximun Ratings(Ta=25°C)

Parameter	MAX.		Unit
	UR	PG	
Power Dissipation	75	100	mW
Peak Forward Current (1/10 Duty Cycle, 0.1ms Pulse Width)	100	100	mA
Continuous Forward Current	30	30	mA
Derating Linear From 50°C	0.4		mA/°C
Reverse Voltage	5		V
Operating Temperature Range	-40°C to +85°C		
Storage Temperature Range	-40°C to +100°C		
Lead Soldering Temperature[4mm(.157") From Body]	260°C for 5 Seconds		

■ Typical Electrical & Optical Charcteristics(Ta=25°C)

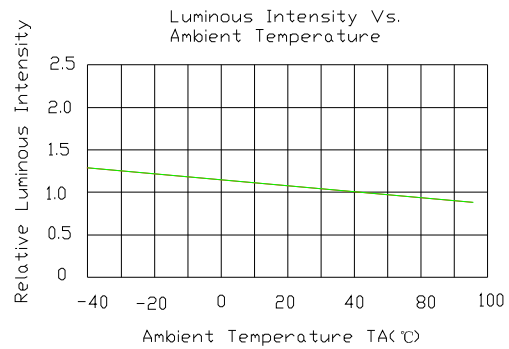
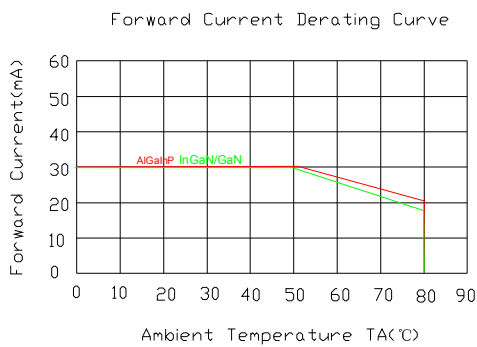
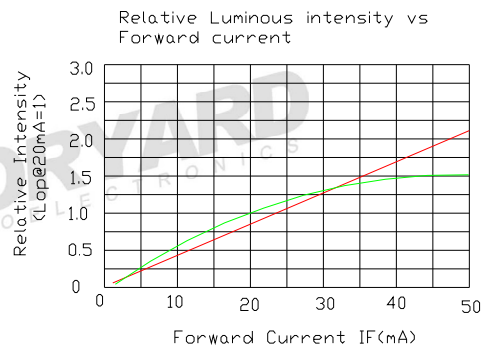
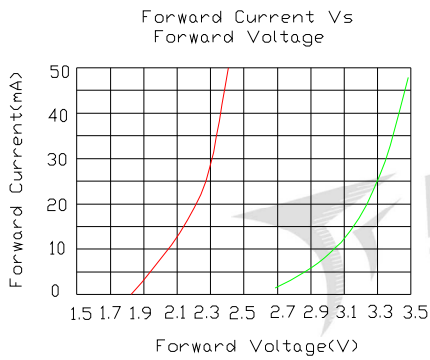
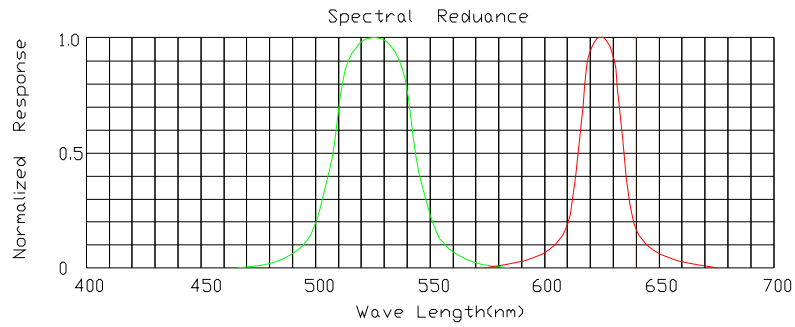
Parameter	Symbol	Colour	Min.	Typ.	Max.	Unit	Test Condition
Luminous Intensity	$I_V$	UR	3800	6000	9000	mcd	IF=20mA
		PG	10800	16000	22500		
Viewing Angle	$2\theta_{1/2}$	UR	---	40	---	Deg	
		PG	---	40	--		
Peak Emission Wavelength	$\lambda_p$	UR	---	630	--	nm	
		PG	---	520	--		
Dominant Wavelength	$\lambda_d$	UR	618	625	630	nm	
		PG	515	520	525		
Spectral Line Half-Width	$\Delta\lambda$	UR	---	20	--	nm	
		PG	---	36	--		
Forward Voltage	$V_F$	UR	1.8	2.1	2.4	V	
		PG	2.6	3.1	3.4		
Reverse Current	$I_R$		---	---	10	$\mu A$	VR=5V

Note:

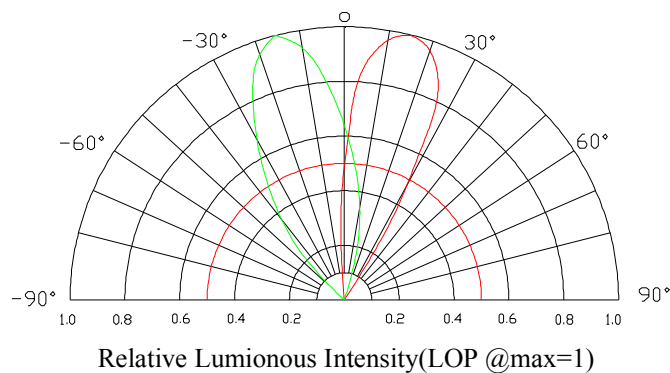
- 1.Luminous Intensity is based on the Foryard standards.
- 2.Pay attention about static for InGaN

Model No.: FYL-5019NURPGC1C-CA

■ Typical Electrical/Optical Characteristics Curves(Ta=25°C Unless Otherwise Noted)

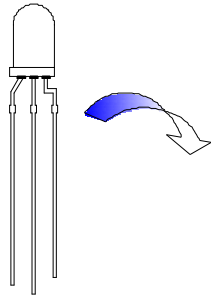


■ Radiation pattern

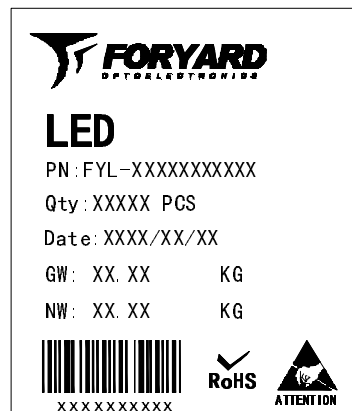
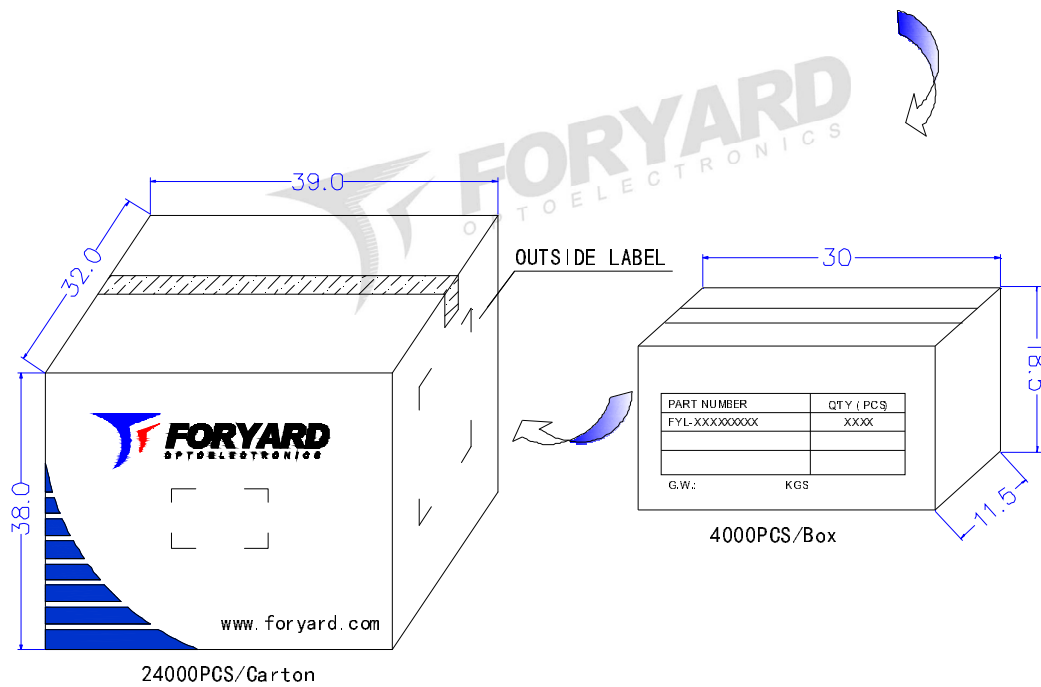


Model No.: FYL-5019NURPGC1C-CA

■ LAMP PACKING.



5mm 500PCS/Pol ybag



OUTSIDE LABEL

Note: The specifications are subject to change without notice. Please contact us for updated information.