

PRODUCT SPECIFICATION

Model No.: FYL-3019URUGW1A-CC

Descriptions:
<ul style="list-style-type: none"> ■ Dice material: AlGaInP;AlGaInP. ■ Emitting Color: Super Bright Red;Super Bright Yellow Green. ■ Device Outline: Φ3mm round type. ■ Lens Type: White Diffused.



CUSTOMER APPROVED SIGNATURES	APPROVED BY	CHECKED BY	PREPARED BY

NINGBO FORYARD OPTOELECTRONICS CO.,LTD.

Add:No. 666 Jinghua Road, Hi-tech Park, Ningbo, Zhejiang, China

Zip:315103

Tel: 0086-574-87933652 87922206 87927870

Fax: 0086-574-87927917

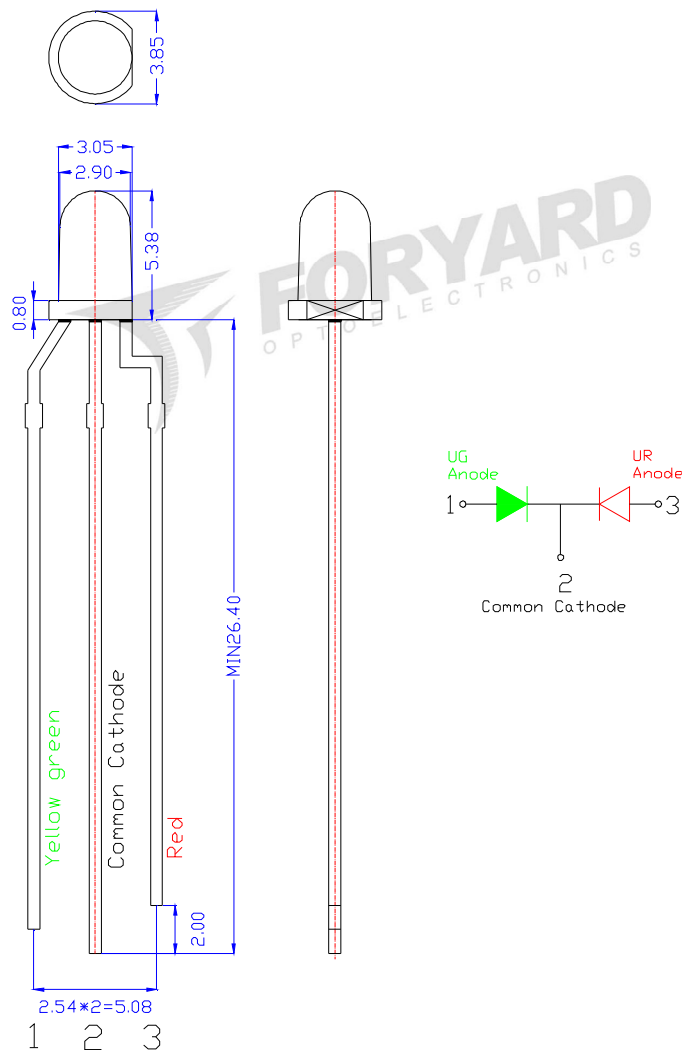
E-mail:Sales@foryard.com (General)

Model No.: FYL-3019URUGW1A-CC

■ Features

- 1.Low power consumption.
- 2.High efficiency.
- 3.General purpose leads.
- 4.High intensity.
- 5.RoHs compliant.

■ Package configuration



Notes:

1. All dimensions are millimeters (inches)
2. Tolerance is $\pm 0.25\text{mm}$ (.010") unless otherwise noted.
3. The specifications, characteristics and technical data described in the datasheet are subject to change without prior notice.
- 4.The drawing is different from the actual one, please refer to the sample.

Model No.: FYL-3019URUGW1A-CC

■ Absolute Maximum Ratings(Ta=25°C)

Parameter	MAX.		Unit
	UR	UG	
Power Dissipation	75	75	mW
Peak Forward Current (1/10 Duty Cycle, 0.1ms Pulse Width)	100	100	mA
Continuous Forward Current	30	30	mA
Derating Linear From 50°C	0.4		mA/°C
Reverse Voltage	5		V
Operating Temperature Range	-40°C to +85°C		
Storage Temperature Range	-40°C to +100°C		
Lead Soldering Temperature[4mm(.157") From Body]	260°C for 5 Seconds		

■ Typical Electrical & Optical Characteristics(Ta=25°C)

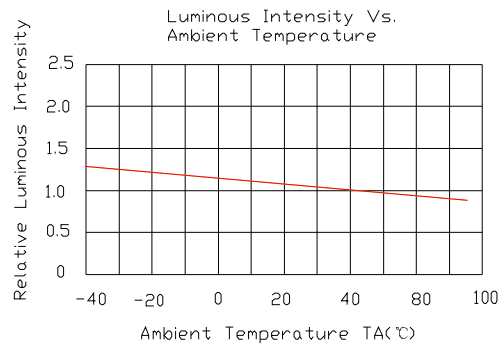
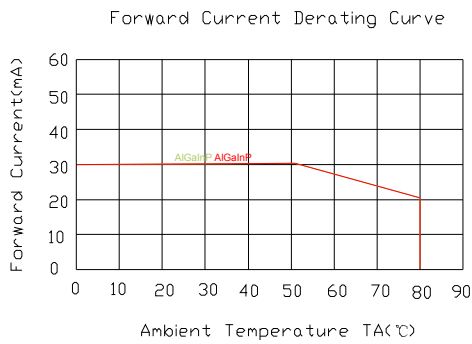
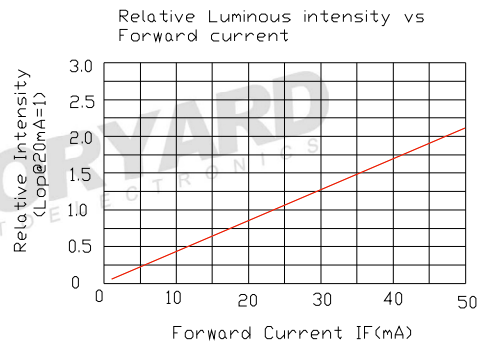
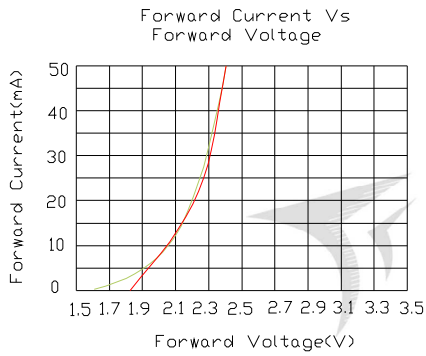
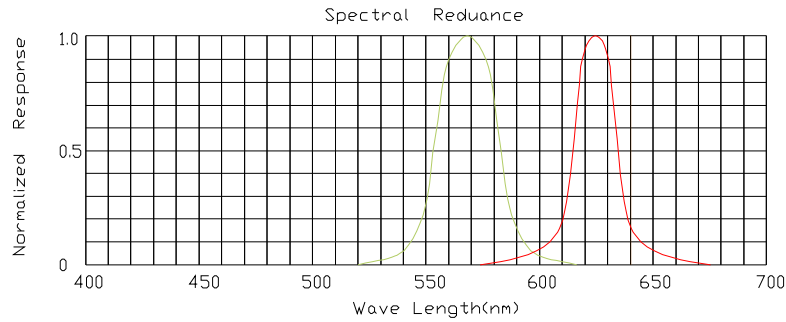
Parameter	Symbol	Colour	Min.	Typ.	Max.	Unit	Test Condition
Luminous Intensity	I_V	UR	150	350	700	mcd	IF=20mA
		UG	150	350	700		
Viewing Angle	$2\theta_{1/2}$	UR	---	35	---	Deg	
		UG	---	35	--		
Peak Emission Wavelength	λ_p	UR	---	630	--	nm	
		UG	---	570	--		
Dominant Wavelength	λ_d	UR	618	625	630	nm	
		UG	568	572	574		
Spectral Line Half-Width	$\Delta\lambda$	UR	---	20	--	nm	
		UG	---	30	--		
Forward Voltage	V_F	UR	1.8	2.1	2.4	V	
		UG	1.8	2.1	2.6		
Reverse Current	I_R		---	---	10	μA	VR=5V

Note:

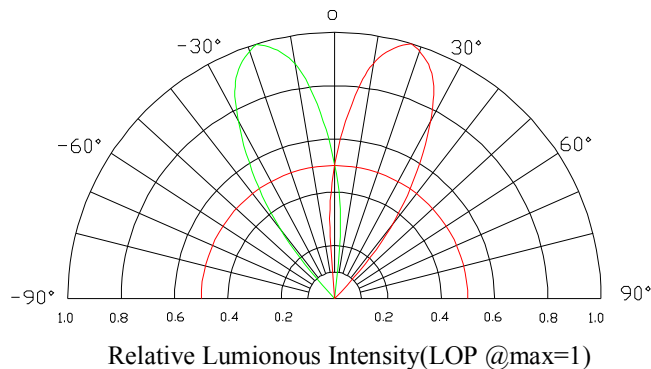
- 1.Luminous Intensity is based on the Foryard standards.
- 2.Pay attention about static for InGaN

Model No.: FYL-3019URUGW1A-CC

Typical Electrical/Optical Characteristics Curves(Ta=25°C Unless Otherwise Noted)

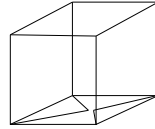
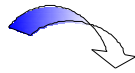


Radiation pattern

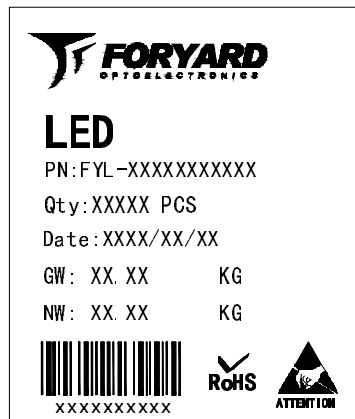
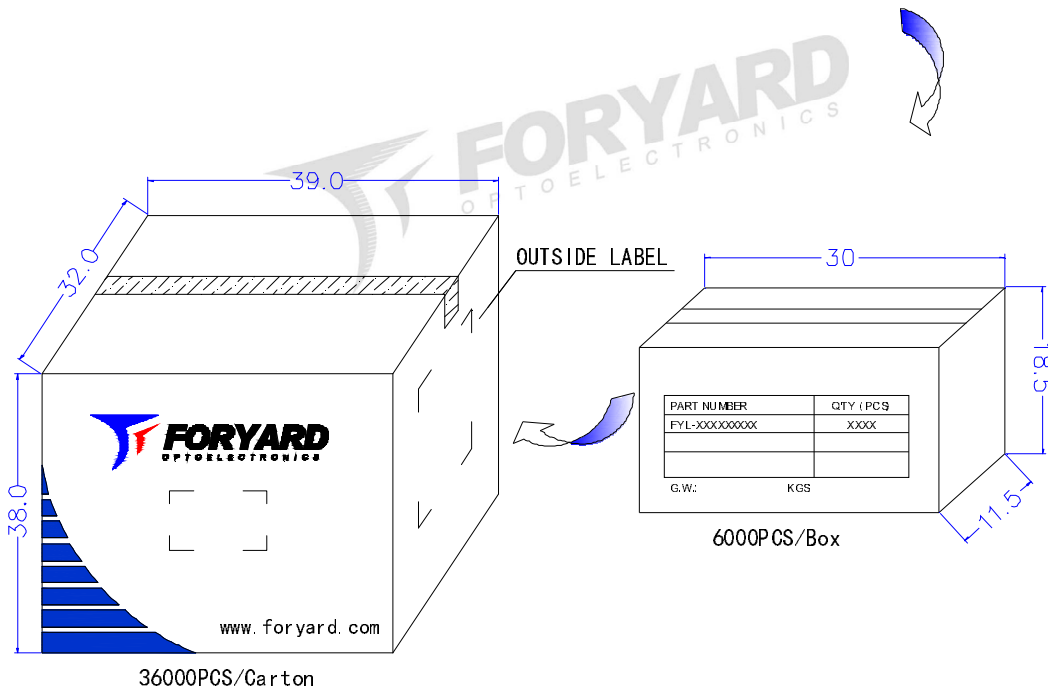


Model No.: FYL-3019URUGW1A-CC

■ LAMP PACKING.



3mm 500PCS/Pol ybag



OUTSIDE LABEL

Note: The specifications are subject to change without notice. Please contact us for updated information.