

# PRODUCT SPECIFICATION

**Model No.: FYLP-10W-UW60**

Features:
<ul style="list-style-type: none"> <li>■ High Power LED</li> <li>■ Size (mm):56.00*52.00*4.30</li> <li>■ Emitting Color: White.</li> <li>■ Lens Type: Yellow Diffused.</li> <li>■ SMT package</li> <li>■ RoHS Compliant</li> </ul>

Applications:
<ul style="list-style-type: none"> <li>■ General Linghting</li> <li>■ Advertisement</li> <li>■ Architectural Lighting</li> <li>■ Street Lamps</li> </ul>



CUSTOMER APPROVED SIGNATURES	APPROVED BY	CHECKED BY	PREPARED BY

**NINGBO FORYARD OPTOELECTRONICS CO.,LTD.**

**Add:**No. 666 Jinghua Road, Hi-tech Park, Ningbo, Zhejiang, China

**Zip:**315103

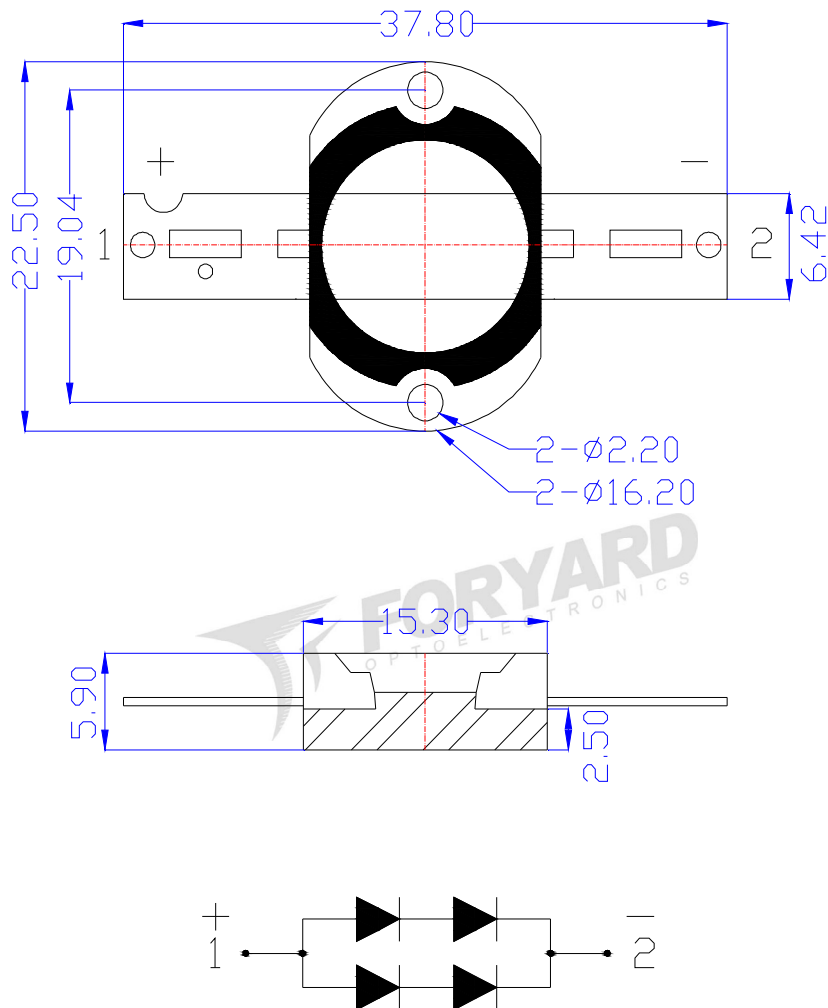
**Tel:** 0086-574-87933652 87927870 87922206

**Fax:** 0086-574-87927917

**E-mail:**Sales@foryard.com ( General)

**Model No.: FYLP-10W-UW60**

**■ Mechanical Dimensions**



**Notes:**

1. Dimension in millimeter, tolerance is  $\pm 0.25$ .
2. Angle:  $\pm 5^\circ$
3. The specifications, characteristics and technical data described in the datasheet are subject to change without prior notice.
4. The drawing is different from the actual one, please refer to the sample.

**Model No.: FYLP-10W-UW60**

**Absolute Maximun Ratings(Ta=25°C)**

Parameter	Symbol	Ratings			Unit
		Min.	Typ.	Max.	
Power Dissipation	PD	/	/	10	W
Peak Forward Current*	IFP	/	/	1050	mA
Continuous Forward Current	IF	/	/	1000	mA
Reverse Voltage	VR	/	/	5	V
ESD Sensitivity	ESD	/	/	2000V	HBM
Operating Temperature Range	Topr	-30~ +75			°C
Operating Humidity	RH	/	/	60%RH	%
Storage Temperature Range	Tstg	-40~ +85			°C
Operating Humidity	RH	/	40%RH	60%RH	%
Manual Soldering Temperature	T <sub>SOL</sub>	260°C± 5°C For 3~5Seconds			

\*1/10 Duty Cycle, 0.1ms Pulse Width

**Typical Electrical &Optical Charcteristics(Ta=25°C)**

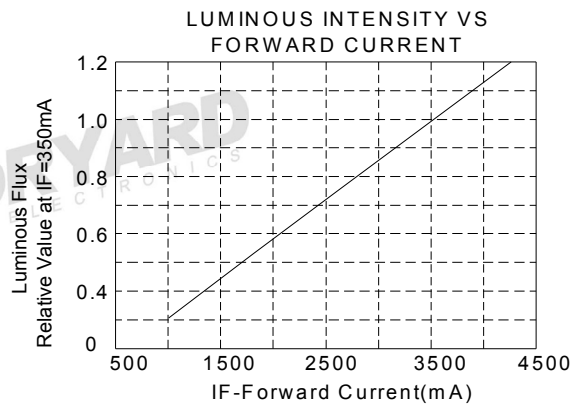
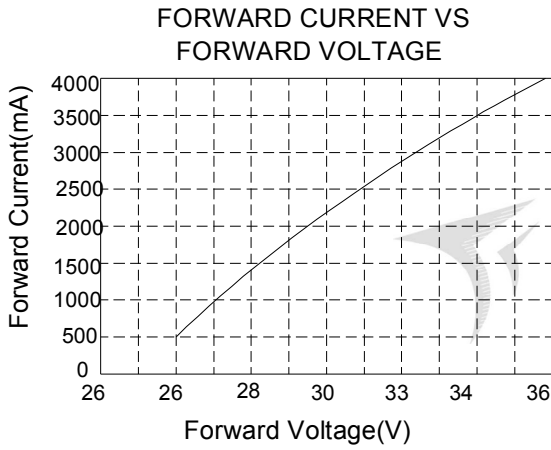
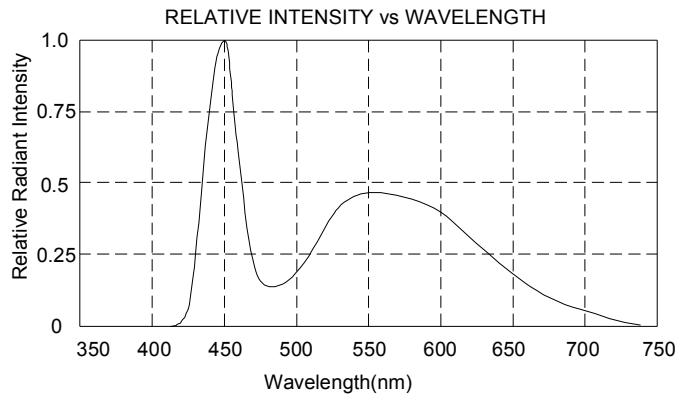
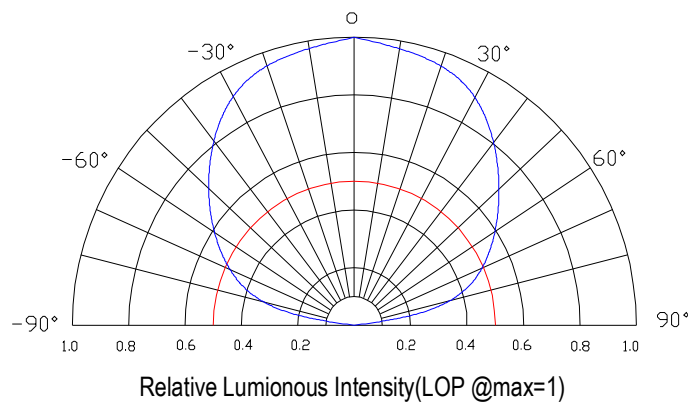
Parameter	Symbol	Test Condition	Min.	Typ.	Max.	Unit
Forward Voltage	V <sub>F</sub>	IF=1050mA	9	---	11	V
Reverse Current	I <sub>R</sub>	VR=5V	---	---	10	μA
Thermal Resistance Junction To Board	RO <sub>J-B</sub>	IF=1050mA	---	10	---	---
Luminous Flux	Φ	IF=1050mA	1000	---	1100	Lm
Color temperature	CCT	IF=1050mA	6000	---	6500	K
Temperature Coefficient of Forward Voltage	ΔVF/ΔT	IF=1050mA	---	2	---	mV/°C
Viewing Angle	2θ <sub>1/2</sub>	IF=1050mA	---	120	---	Deg

**Material**

Item	Reflector	Wire	Encapsulate	Chip
Material	PPA	Gold	Silicone	InGaN/GaN

Note:

- 1.Luminous Intensity is based on the Foryard standards.
- 2.Pay attention about static for InGaN

**Model No.: FYLP-10W-UW60**
**Electrical-Optical Characteristics-**

**Radiation pattern.**


NOTE:25°C free air temperature unless otherwise specified