

# LED Module Specifications

## PRODUCT SPECIFICATION

**Model No.: FYLM-2835UW4242W-04-12V-XX-01**

### Features:

- Each single module can be separated and works independently.
- Low consumption , high brightness, free maintenance , long life-span.
- Double side adhesive tape on backside for easy installation.

### Applications:

- Channel Letters
- Lighting source for shop windows
- Indoor Decoration Lighting
- Advertising Signs
- Replacement for Neon



CUSTOMER APPROVED SIGNATURES	APPROVED BY	CHECKED BY	PREPARED BY

**NINGBO FORYARD OPTOELECTRONICS CO.,LTD**

**Add:**No. 666 Jinghua Road, Hi-tech Park, Ningbo, Zhejiang, China

**Zip:**315103

**Tel:** 0086-574-87933652 87922206 87927870

**Fax:** 0086-574-87927917

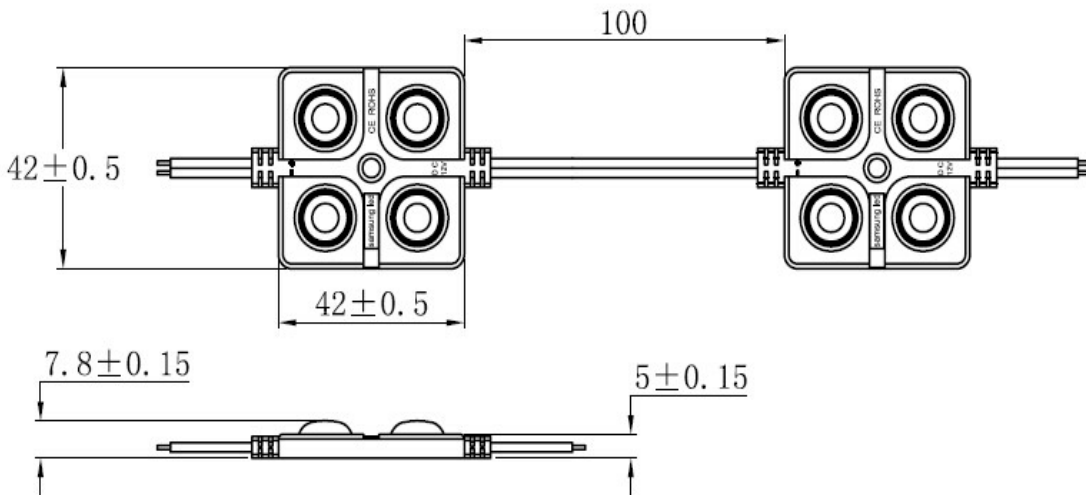
**E-mail:**Sales@foryard.com (General)

Model No.: FYLM-2835UW4242W-04-12V-XX-01

■ Photo:



■ Product Dimensions (unit :mm) :



Notes:

1. All dimensions are millimeters.
2. Tolerance is  $\pm 1$ mm unless otherwise specified.
3. Specifications are subject to change without notice.
4. The drawing is different from the actual one, please refer to the sample.

Model No.: FYLM-2835UW4242W-04-12V-XX-01

■ Electric parameters:

Item	Warm White	Nature White	Pure White	Cool White
XX	28	40	55	80
Operation Voltage(V)	DC 12	DC 12	DC 12	DC 12
Power Dissipation(W)	1.44	1.44	1.44	1.44
Wavelength(nm)	/	/	/	/
Color Temp(K)	2800~3200	4000~4500	5500~6500	8000~14000
Luminous Flux(lm)	140±10%	140±10%	140±10%	140±10%
LED Quantity(pcs)	4	4	4	4
Max Connection Qty (PCS)	20	20	20	20
Angle(°)	120	120	120	120
IP Level	IP67	IP67	IP67	IP67
Dimension:(mm)	42.00*42.00*7.50mm			
Life Time(hrs)	3year/15000H			
Weight (20pcs/string):(g)	288			
Operation Temperature(°C)	-20~+60°C			
Stock temperature(°C)	-40~+80°C			

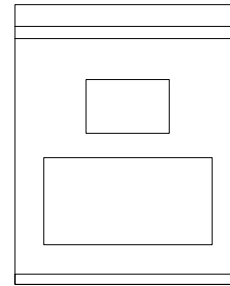
■ Installation Instruction:

Method:

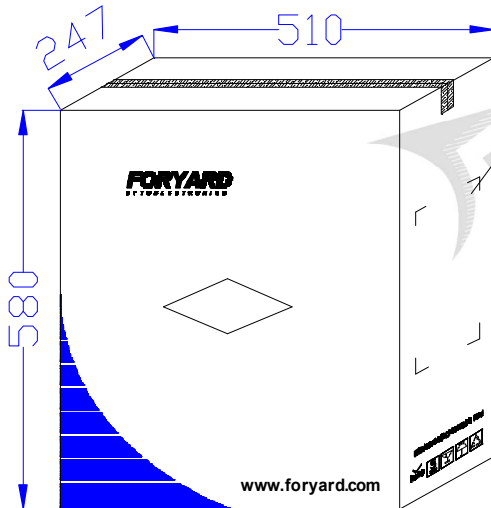
- 1、 Connect the first LED module into the main power. Max number is 20 PCS.
- 2、 Isolate cable ends to prevent short circuit.

Model No.: FYLM-2835UW4242W-04-12V-XX-01

■ Package

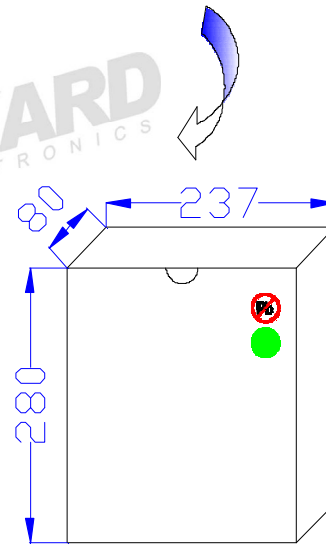


XX PCS Polybag

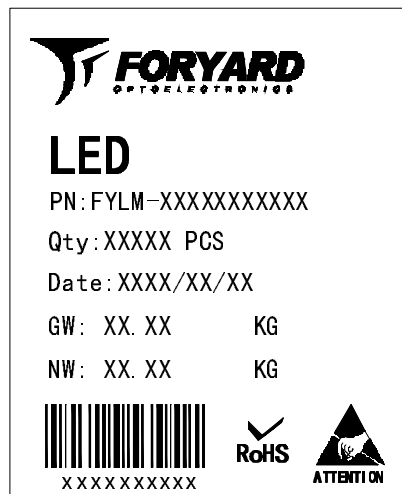


12 Boxes/Carton

OUTSIDE LABEL



XXPolybag /Box



OUTSIDE LABEL

Note: The specifications are subject to change without notice. Please contact us for updated information.

**Model No.:** FYLM-2835UW4242W-04-12V-XX-01

■ **Notes:**

1. Usually, main power cable dimension is 2x1.5mm<sup>2</sup>. To prevent damage from overheating caused by overload, it is essential to take 0.75mm<sup>2</sup>/18# wire as main power cable if necessary. Cable length between power and module should not exceed 2m. If over 2m, it will increase total power consumption.
2. Take off release paper from adhesive tape at the back of modules. Stick modules inside light box or advertising signage for initial setting. Fix module by 1 piece of ST2.9x10 mm self tapping screw or by glass glue at both sides of module.
3. Standard connection number is 20pcs for each string; Cut into each piece as to actual requirement.
4. During the connection, use diagonal pliers to cut off power cable between modules, peel off the plastic around 10mm, wire the cables and then connect them to their respective isolation port (the white-red cable heads to positive, the white cable for negative). Do remember check the conductivity and reliability of the cable after the connection. Generally, they can't be pulled out of the port by middling force.
5. Peel off the cable coat by 10mm (around) then connect them into isolation port if there are extra cables for the string-end module.
6. Make sure that the waterproof and anti-corrosive reliability; grease some silicon glue (neutral glass glue or water glass glue) into the connection port for further protection.
7. Don't touch the product when they are electrified.
8. Advise to use SMPS with related safety certificate (with short circuit protection, overload protection and over-current protection)