

PRODUCT SPECIFICATION

Model No.: FYL-3012PD1A

Descriptions:
<ul style="list-style-type: none"> ■ Emitting Color: Photo diode. ■ Device Outline: Φ3mm round type. ■ Lens Type: Deep blue.



CUSTOMER APPROVED SIGNATURES	APPROVED BY	CHECKED BY	PREPARED BY

NINGBO FORYARD OPTOELECTRONICS CO.,LTD.

Add:No. 666 Jinghua Road, Hi-tech Park, Ningbo, Zhejiang, China

Zip:315103

Tel: 0086-574-87933652 87922206 87927870

Fax: 0086-574-87927917

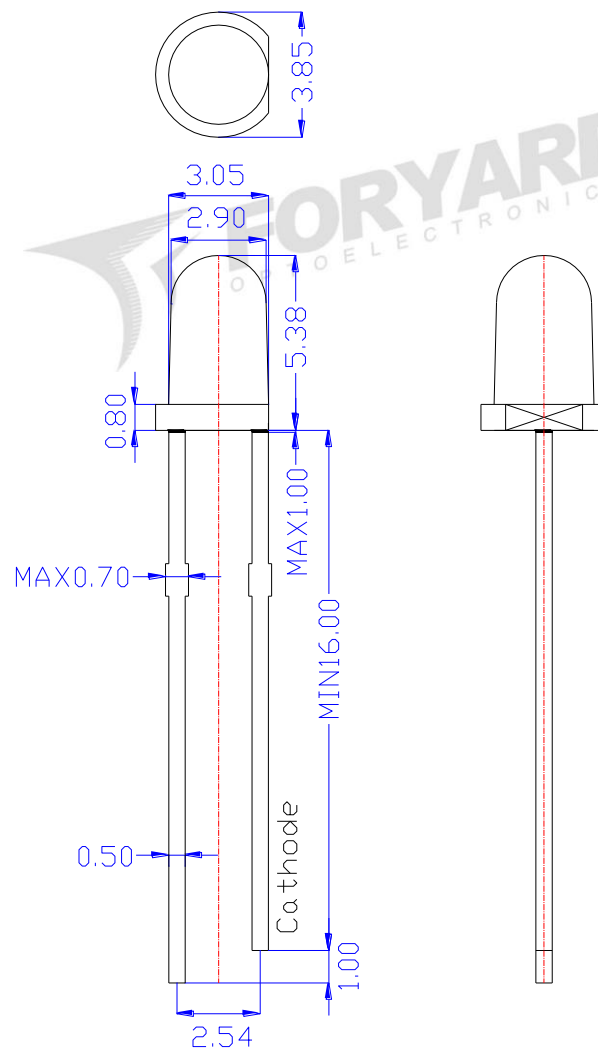
E-mail:Sales@foryard.com (General)

Model No.: FYL-3012PD1A

■ Features

- 1.Low power consumption.
- 2.High efficiency.
- 3.General purpose leads.
- 4.High intensity.
- 5.RoHs compliant.

■ Package configuration



Notes:

1. All dimensions are millimeters (inches)
2. Tolerance is $\pm 0.25\text{mm} (.010\text{'})$ unless otherwise noted.
3. The specifications, characteristics and technical data described in the datasheet are subject to change without prior notice.
4. The drawing is different from the actual one, please refer to the sample.

Model No.: FYL-3012PD1A

■ Absolute Maximum Ratings(Ta=25°C)

Parameter	Symbol	Min.	Typ.	Max.	Test Condition	Unit
Reverse Breakdown Voltage	V_{BR}	35	170	---	$I_R=100\mu A, H=0\text{mw/cm}^2$	V
Operating Temperature	T_{opr}	-30	---	85	---	°C
Storage Temperature	T_{str}	-30	---	100	---	°C

■ Typical Electrical & Optical Characteristics(Ta=25°C)

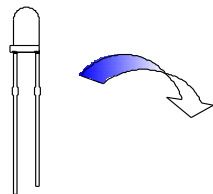
Parameter	Symbol	Min.	Typ.	Max.	Test Condition	Unit
Forward Voltage	VF	0.5	1.3	1.7	IF=20mA	V
Peak Sensing Wavelength	λ_p	---	940	---	IF=20mA	nm
Light Current	IL	---	1.8	--	$V_R=5V, 1\text{mw/cm}^2 @ 940\text{nm}$	μA
Reverse Dark Current	ID	---	2	10	$H=0\text{mw/cm}^2, V_R=10V$	nA
Junction Capacitance	CJ	---	1.5	--	$V_R=3V, F=1\text{MHZ}, H=0\text{mw/cm}^2$	PF

Note:

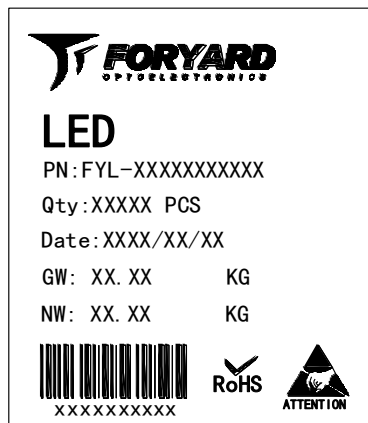
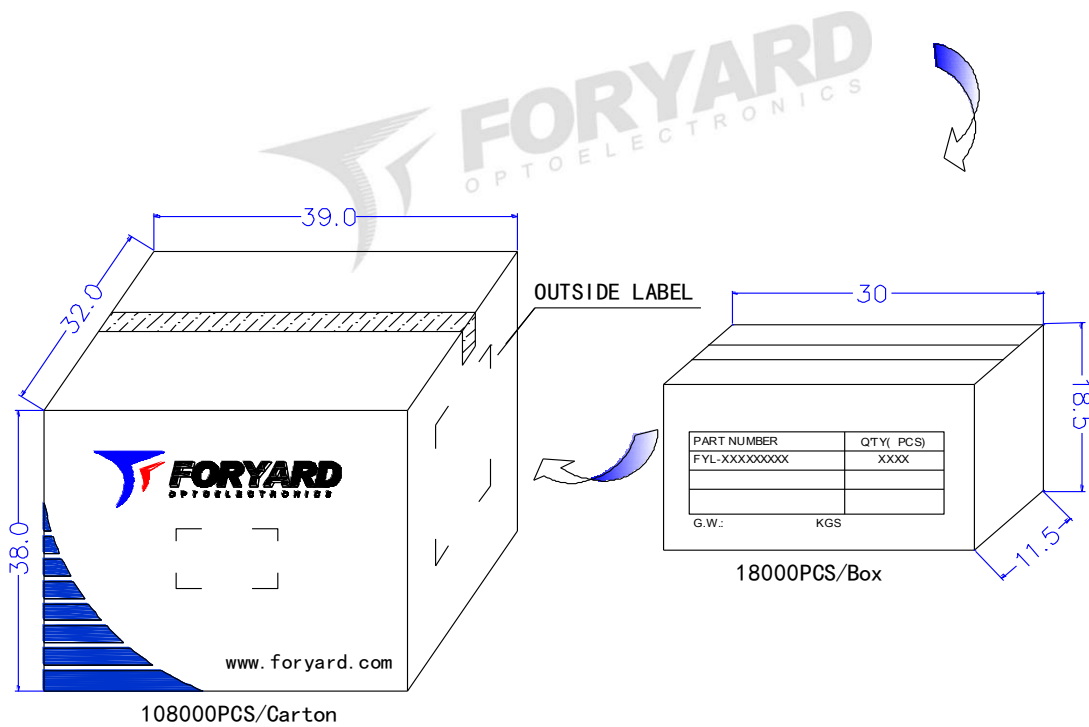
- 1.Luminous Intensity is based on the Foryard standards.
- 2.Pay attention about static for InGaN

Model No.: FYL-3012PD1A

■ LAMP PACKING.



3mm 1000PCS/Polybag



OUTSIDE LABEL

Note: The specifications are subject to change without notice. Please contact us for updated information.