

PRODUCT SPECIFICATION

CUSTOM-MADE

Model No.: FYA-6041BUR-11-M

Descriptions & Features:
<ul style="list-style-type: none"> ■ Bargraph Digit Display ■ Shape: Arrow ■ Diameter:60.00*41.50mm ■ Emitting Color : Ultra Red ■ Chip Material:AlGaInP ■ Black Face ■ White Diffused Segment



CUSTOMER APPROVED SIGNATURES	APPROVED BY	CHECKED BY	PREPARED BY

NINGBO FORYARD OPTOELECTRONICS CO.,LTD.

Add:NO.666 Jinghua Road, Hi-tech Park, Ningbo, Zhejiang, China

Zip:315103

Tel: 0086-574-87933652 87922206 87927870

Fax: 0086-574-87927917

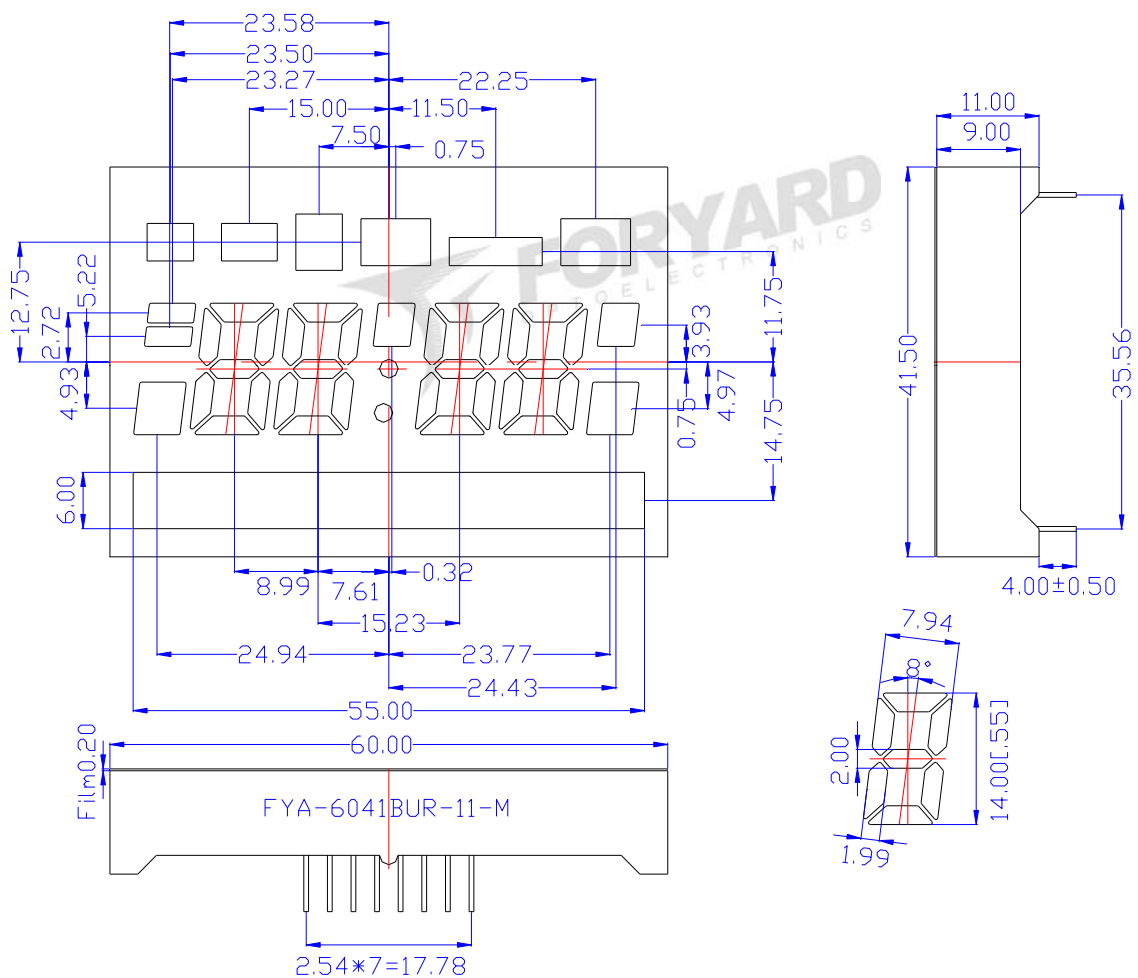
E-mail:Sales@foryard.com (General)

Model No.: FYA-6041BUR-11-M

Features -

1. Case mold type.
2. RoHS compliant.
3. Low current operation
4. Low power consumption.
5. Easy mounting on P.C. board or socket.

Mechanical Dimensions



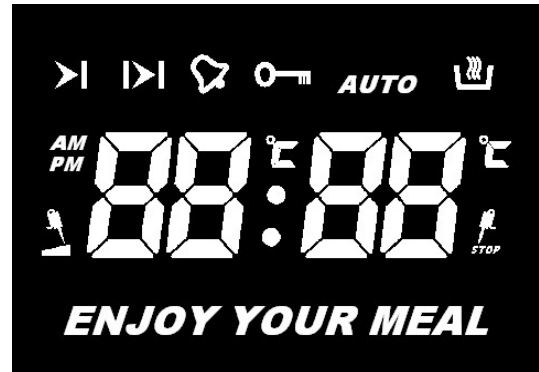
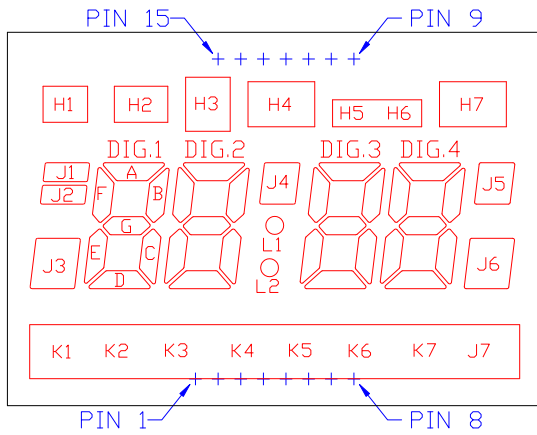
Notes:

1. All pins are $\Phi 0.50 [0.020]$ mm
2. Dimension in millimeter [inch], tolerance is $\pm 0.25 [0.010]$ and angle is $\pm 1^\circ$ unless otherwise noted.
3. Bending \leq Length * 1%.
4. The specifications, characteristics and technical data described in the datasheet are subject to change without prior notice.
5. The drawing is different from the actual one, please refer to the sample.

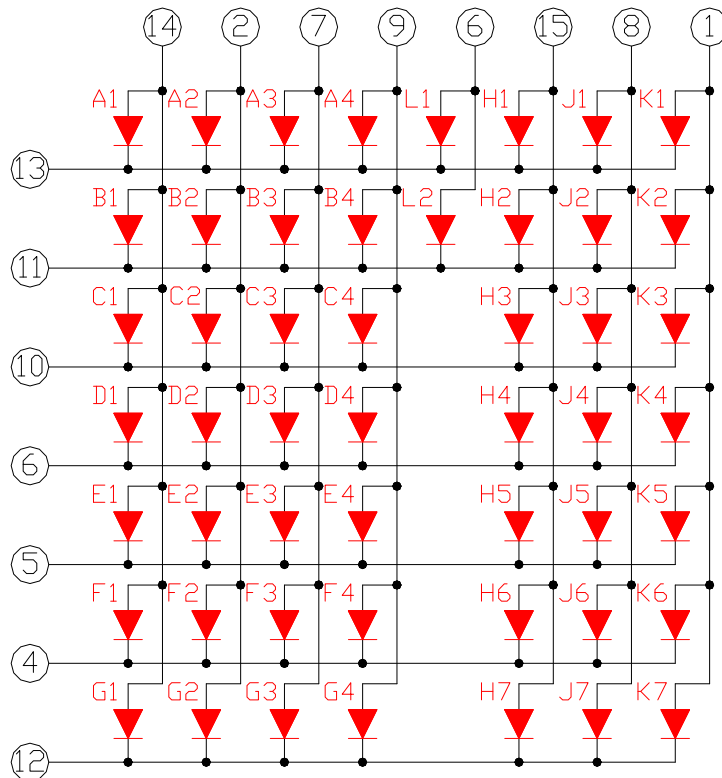
Model No.: FYA-6041BUR-11-M

■ All Light On Segments Feature & Pin Position

■ Film Diagrams



■ Internal Circuit Diagrams



Model No.: FYA-6041BUR-11-M

■ **Absolute maximum ratings**

(Ta=25°C)

Parameter	Symbol	Test Condition	Value		Unit
			Min	Max	
Reverse Voltage	VR	IR=30	5	—	V
Forward Current	IF	—	—	30	mA
Power Dissipation	Pd	—	—	100	mW
Pulse Current	Ipeak	Duty=0.1mS,1KHz	—	150	mA
Operating Temperature	Topr	—	-40	+85	°C
Storage Temperature	Tstr	—	-40	+85	°C

■ **Electrical-Optical Characteristics**

● **Color Code & Chip Characteristics:(Test Condition:IF=10mA)**

(Ta=25°C)

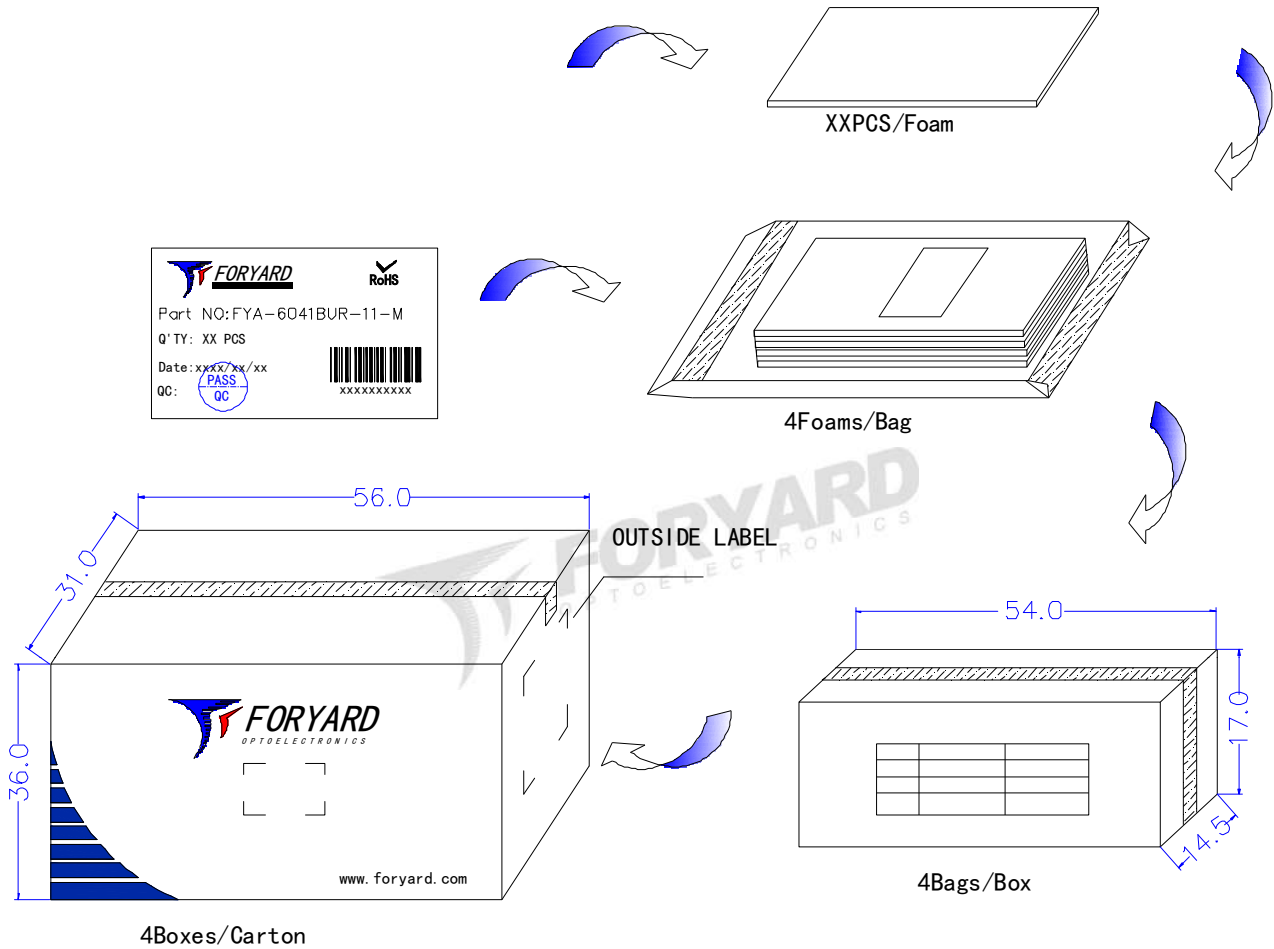
Emitting Color		Dice Material	Peak Wave Length(λ_p)	Spectral Line halfwidth	Forward Voltage(VF) Unit:V		Luminous Intensity (Iv)
					Typ	Max	
Standard brightness							
UR	Ultra Red	AlGaInP	635nm	20nm	2.00	2.50	40~70
Segment-to-Segment Luminous Intensity ratio(Iv-M)				1.5:1			

Note:

- 1.Luminous Intensity is based on the Foryard standards.
- 2.Pay attention about static for InGaN

Model No.: FYA-6041BUR-11-M

■ Packing Diagram




FORYARD OPTOELECTRONICS

LED

PN: FYA-6041BUR-11-M

Qty: XXXX PCS

Date: xxxx/xx/xx

GW: 25KG QC: PASS QC

NW: 23KG

Barcode and alphanumeric code: XXXXXXXXXXX

RoHS ATTENTION

OUTSIDE LABEL

Note: The specifications are subject to change without notice. Please contact us for updated information.