



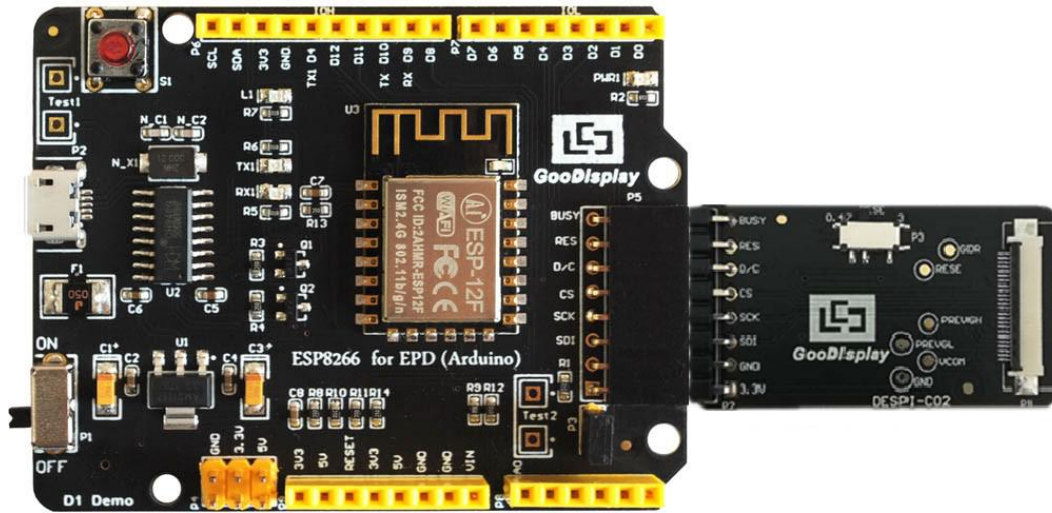
Development Kit for E-paper Display



ESP8266 (C02)

Dalian Good Display Co., Ltd.

Product Specifications



Customer	Standard
Description	Development Kit for E-paper Display
Model Name	ESP8266 (C02)
Date	2020/03/11
Revision	1.1

	Design Engineering		
	Approval	Check	Design
			

No.17 Gonghua Street, Shahekou District, Dalian 116021 China

Tel: +86-411-84619565

Fax: +86-411-84619585-810

Email: info@good-display.com

Website: www.e-paper-display.com

Contents

1.Overview.....	4
2.Mechanical Specifications.....	5
3.Functions.....	6
4.Connection Mode and RESE Selection.....	9
5.Program Downloading.....	12

1. Overview

ESP8266 (C02) development kit supports program development using Arduino development platform. This development kit is used to help users develop e-paper display projects with provided source code to create more differentiated solutions. It is designed for SPI e-paper display. It supports driving Good Display's black-white e-paper display and three-color (black, white and red/Yellow) e-paper display: 1.54", 2.04", 2.13", 2.6", 2.7", 2.9", 3.71", 4.2", 5.83" and 7.5".

ESP8266 (C02) development kit consists of motherboard ESP8266 for EPD and connector board DESPI-C02.

ESP8266 development kit is only for driving the e-paper, WIFI and other functions need to be developed by users according to the project.

2.Mechanical Specifications

Parameter	Specification
Model	ESP8266 (C02)
Platform	Arduino
Dimension	70mm x 54mm (ESP8266 for EPD) 41mm x 22mm (DESPI-C02)
Power Interface	USB interface
Sample Code	Available (please contact sales)
Operating Temp.	-20°C ~+70°C
Main Function	Learn to drive e-paper display; Test and evaluate e-paper display; For secondary development.
Additional Function	USB to serial port; Indicator light; Reset key; Current measurement.

3.Functions

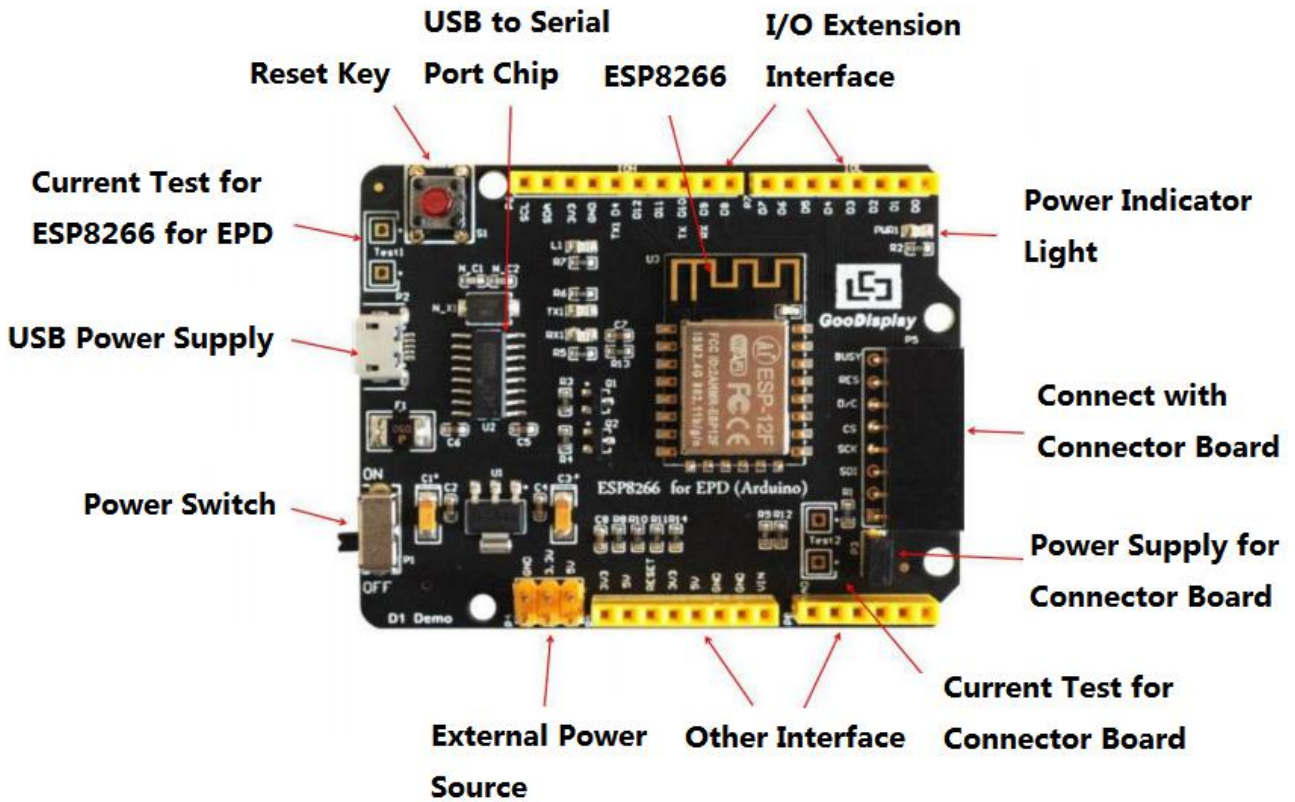


Figure 1 : ESP8266 for EPD

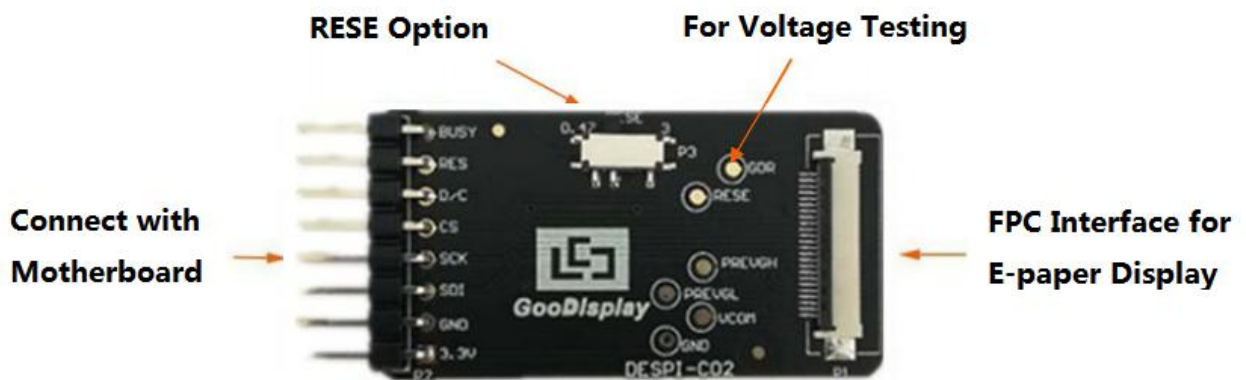


Figure 2 : DESPI-C02

3.1 Power Supply

The input voltage of this board is DC5V, which is powered by the USB port. Since the e-paper is 3.3V powered, it is necessary to connect VCC at P6 to 3.3V when using.

Tips: If you use 5V power supply, the e-paper can be driven theoretically, but it is not recommended, long-term operation will make e-paper damage.

3.2 USB to serial port transmission

This development board uses USB to serial port communication. Users should install CH340 driver on computer before downloading program.

3.3 P3 short-circuit jumper

P3 short-circuit jumper controls DESPI-C02's power supply, which is e-paper's power supply. Be sure to short it when using.

3.4 Current measurement

The development kit supports current measurement of ESP8266 for EPD and DESPI-C02.

- 1) ESP8266 for EPD: Power off and make series connection between ampere meter and TEST1.
- 2) DESPI-C02: Power on and take off the short-circuit jumper P3, then make series connection between ampere meter and TEST2. Put on the short-circuit jumper P3 after measurement.

3.5 I/O port extension

This development board led out the digital I/O D0~D12 and the analog I/O A0 for development.

3.6 LED indicator light

There is a indicator light reserved for developing.

3.7 Reset key

This development board contains a reset key for users operation.

4.Connection Mode and RESE Selection

4.1 Connection between e-paper and development board

Connect DESPI-C02 to ESP8266 for EPD as shown in Figure 3. Connect e-paper FPC to DESPI-C02 as shown in Figure 4. (Pay attention to the direction of the e-paper.)

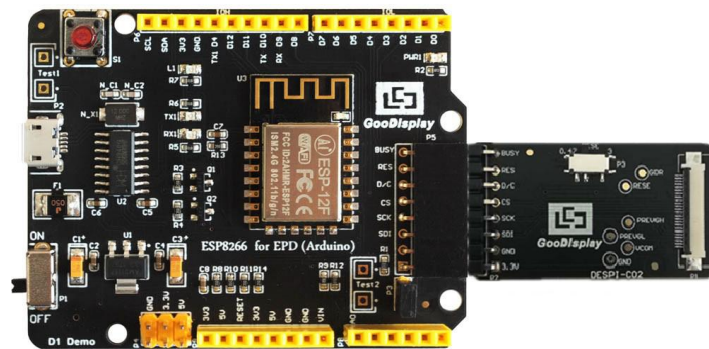


Figure 3 : Connection between ESP8266 for EPD and DESPI-C02





<p>(1) FPC connector</p>	
<p>(2) Open the connector</p>	
<p>(3) Insert the FPC</p>	
<p>(4) Close the connector</p>	

Figure 4 : Connection between DESPI-C02 and e-paper

4.2 RESE resistor selection of DESPI-C02

The switch on DESPI-C02 is used to select the RESE resistor, different e-papers need to match different RESE resistors, a wrong RESE resistor will cause the e-paper cannot be refreshed.

When RESE is set to 0.47 :

1.54 inch : GDEW0154T8、GDEW0154I9F、GDEW0154Z17、
GDEW0154Z04、GDEW0154C39

2.13 inch : GDEW0213T5、GDEW0213I5F、GDEW0213Z16、
GDEW0213C38

2.6 inch : GDEW026T0、GDEW026Z3

2.7 inch : GDEW027W3、GDEW027C44

2.9 inch : GDEW029T5、GDEW029I6F、GDEW029Z10、
GDEW029C32

3.71 inch : GDEW0371W7、GDEW0371Z80

4.2 inch : GDEW042T2、GDEW042Z15、GDEW042C37

5.83 inch : GDEW0583T8、GDEW0583Z21、GDEW0583Z83、
GDEW0583C64

7.5 inch : GDEW075T7、GDEW075Z08、GDEW075Z09、
GDEW075C21、GDEW075C64

When RESE is set to 3 :

1.54 inch : GDEP015OC1、GDEH0154D67、GDEM0154E97LT

2.04 inch : GDE021A1

2.13 inch : GDEH0213B73、GDEH0213D30LT、GDEM0213E28LT

2.9 inch : GDEH029A1、GDEH029D56LT、GDEM029E27LT

5.83 inch : GDEW0583T7

7.5 inch : GDEW075T8

5. Program Downloading

This development board uses serial port to download the program, need to use data cable with micro USB interface, CH340 driver, 8266_package_2.5.2 firmware package and Arduino programming software, the operation steps are as follows:

- 1) Install CH340 driver and 8266_package_2.5.2 firmware package in computer before downloading for the first time. (Install at the default path when Arduino is closed.) The firmware package can also be searched directly in Arduino library manager.
- 2) Connect the micro USB port of the development board to computer with a USB data cable.
- 3) Open the Arduino.ino file in the folder shown in Figure 5 with Arduino 1.8.6.

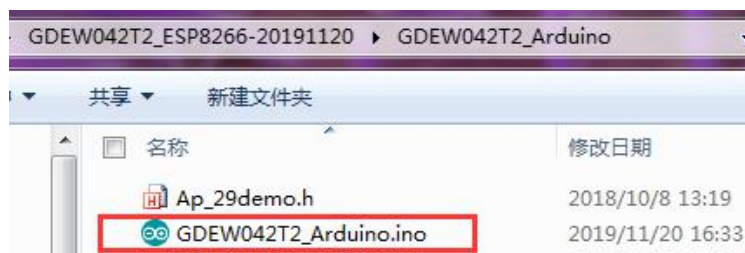


Figure 5 : Open Arduino.ino

- 4) Configure in “工具” in Figure 6.
- 5) Select development board model “LOMIN (WEMOS) D1 R2 & mini” in position 1 of Figure 6.
- 6) Select debug port “Serial” in position 2 of Figure 6.



- 7) Select upload speed "115200" in position 3 of Figure 6.
- 8) Select COM port in position 4 of Figure 6.
- 9) Select programmer model "AVRISP MKII" in position 5 of Figure 6.
- 10) Click position 6  of Figure 6 to compile the program.
- 11) Click position 7  of Figure 6 to download the program to development board.
- 12) After downloading successfully, power off the development board, connect the e-paper to DESPI-C02 and power the development board. Then the e-paper can display the image normally.



Figure 6 : Steps of downloading program