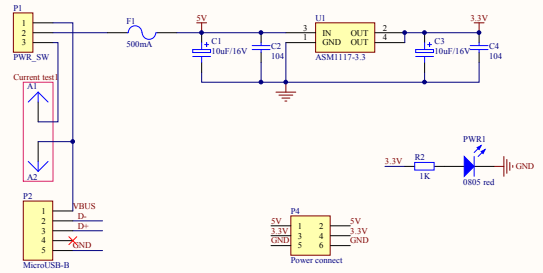
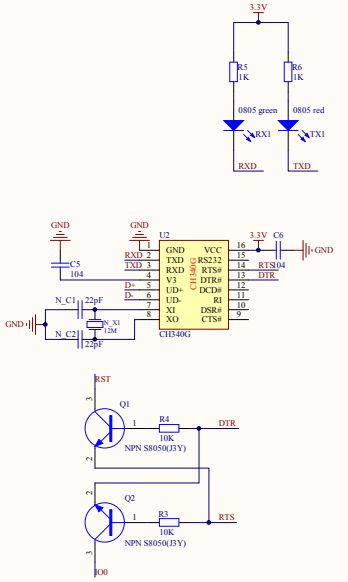


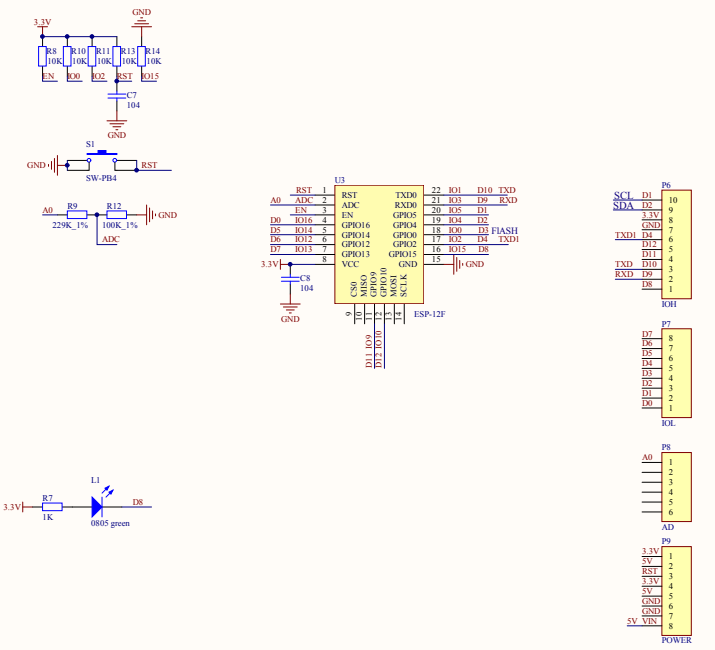
POWER



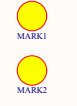
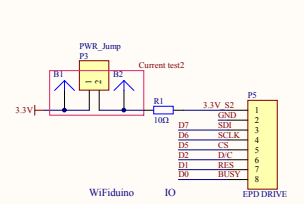
USB



MCU



INTERFACE



Title		
Size	Number	Revision
C		
Date:	2019/12/30	Sheet of
File:	F:\Arduino_ESP3266 SCH	Drawn By: